



Chipsmall Limited consists of a professional team with an average of over 10 year of expertise in the distribution of electronic components. Based in Hongkong, we have already established firm and mutual-benefit business relationships with customers from,Europe,America and south Asia,supplying obsolete and hard-to-find components to meet their specific needs.

With the principle of “Quality Parts,Customers Priority,Honest Operation,and Considerate Service”,our business mainly focus on the distribution of electronic components. Line cards we deal with include Microchip,ALPS,ROHM,Xilinx,Pulse,ON,Everlight and Freescale. Main products comprise IC,Modules,Potentiometer,IC Socket,Relay,Connector.Our parts cover such applications as commercial,industrial, and automotives areas.

We are looking forward to setting up business relationship with you and hope to provide you with the best service and solution. Let us make a better world for our industry!



Contact us

Tel: +86-755-8981 8866 Fax: +86-755-8427 6832

Email & Skype: info@chipsmall.com Web: www.chipsmall.com

Address: A1208, Overseas Decoration Building, #122 Zhenhua RD., Futian, Shenzhen, China



EC Diagonal Compact Modules

Series K3G200-AD Ø 200 mm



Highlights:

- Control Input: 0-10 VDC/PWM
- Output: 10 VDC, max 1.1 mA
- Tach Output
- Over-temperature protected electronics/motor
- Soft start, motor current limit
- Locked rotor protection

Material: Impeller: PA composite
Housing: PP composite

Mounting position: Any

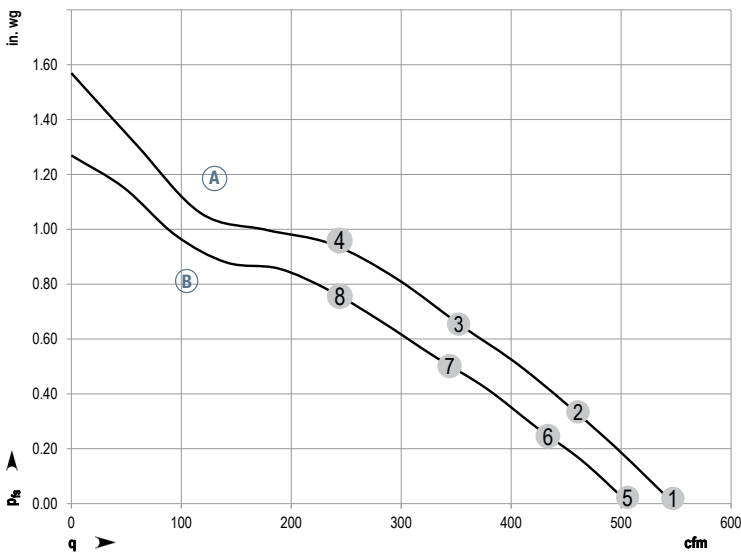
Condensate discharge holes: None, open rotor

Direction of rotation: Clockwise, seen on rotor

Nominal Data		Air flow	Phase	Voltage	Voltage range	Frequency	Power input (1)	Speed (1)	Current draw (1)	Max back pressure	Temperature range (1)	Mass	Bearing	Ingress protection rating	UL	Chart
Type	Motor	cfm		VAC	VAC	Hz	W	rpm	A	in. H ₂ O	°C	lbs				
K3G200-AD21-01	M3G055-BI	547	1~	230V	200...240	50/60	80	3100	0.7	0.884	-25...60	4.41	Ball	IP54	Yes	Ⓐ
K3G200-AD11-02	M3G055-BI	506	1~	115V	100...130	50/60	65	2850	1.0	0.723	-25...60	4.41	Ball	IP54	Yes	Ⓑ

(1) Nominal data at maximum load.

Curves



Air performance measured as per: ISO 5801, Installation category A, without protection against accidental contact.

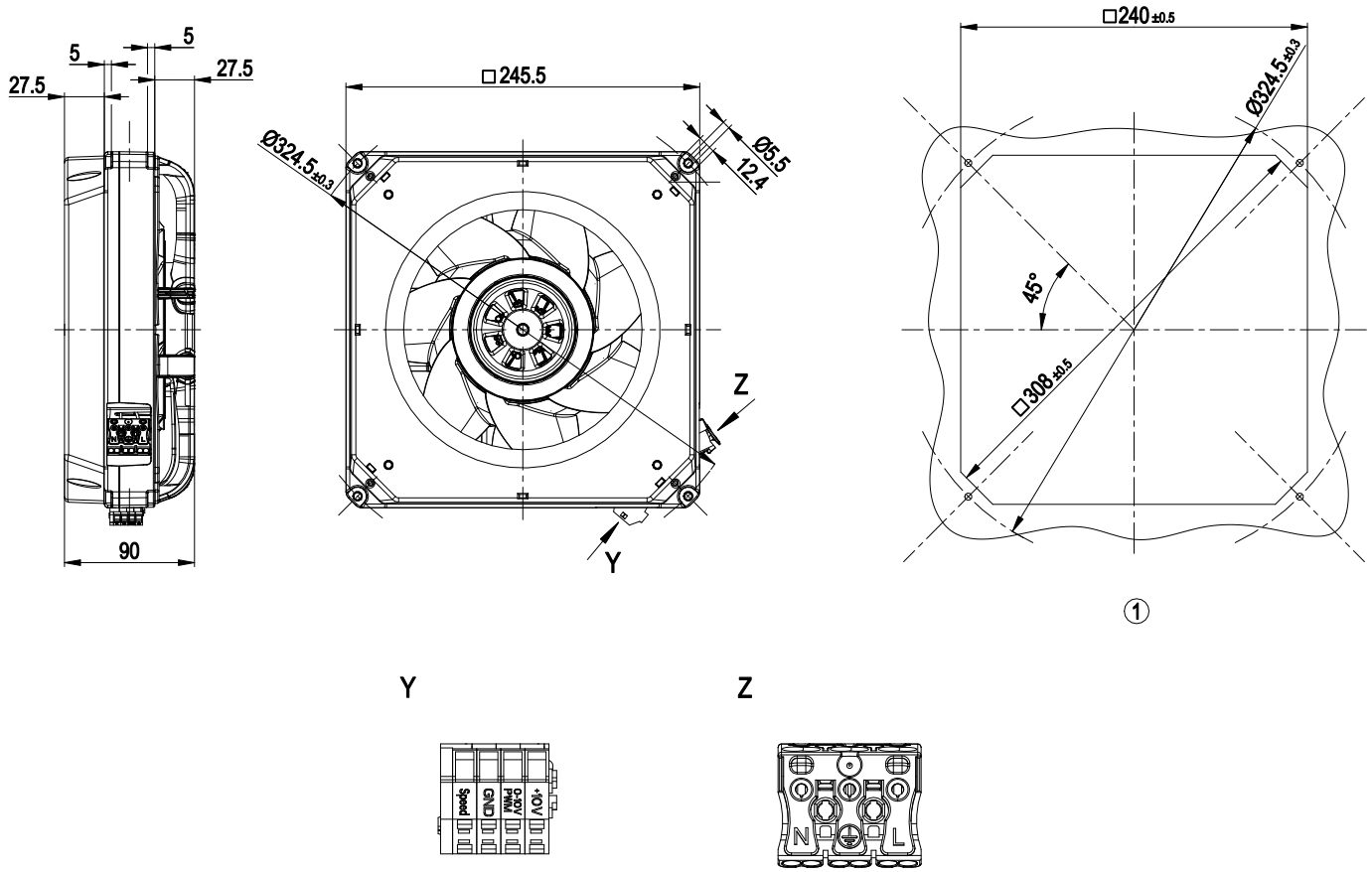
Suction-side noise levels: L_{WA} as per ISO 13347, L_{pA} measured at 1m distance to fan axis.

The values given are valid under the measuring conditions mentioned and may vary according to the actual installation situation.

With any deviation to the standard set-up, the specific values have to be checked and reviewed once installed or fitted.

For detailed information on the measuring set-up, please contact ebm-papst.

	n rpm	Pe W	I A	L _{pA} dB(A)	L _{WA} dB(A)
1	3160	69	0.63	64	72
2	3120	75	0.68	62	70
3	3100	80	0.70	61	69
4	3100	76	0.69	61	69
5	2945	59	0.96	62	70
6	2885	62	1.00	61	69
7	2850	65	1.00	59	68
8	2845	64	1.00	59	68



Connection screen

