



Chipsmall Limited consists of a professional team with an average of over 10 year of expertise in the distribution of electronic components. Based in Hongkong, we have already established firm and mutual-benefit business relationships with customers from,Europe,America and south Asia,supplying obsolete and hard-to-find components to meet their specific needs.

With the principle of “Quality Parts,Customers Priority,Honest Operation,and Considerate Service”,our business mainly focus on the distribution of electronic components. Line cards we deal with include Microchip,ALPS,ROHM,Xilinx,Pulse,ON,Everlight and Freescale. Main products comprise IC,Modules,Potentiometer,IC Socket,Relay,Connector.Our parts cover such applications as commercial,industrial, and automotives areas.

We are looking forward to setting up business relationship with you and hope to provide you with the best service and solution. Let us make a better world for our industry!



Contact us

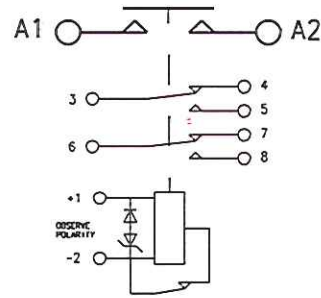
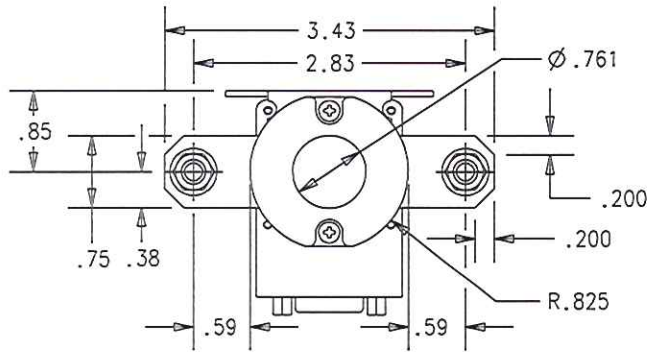
Tel: +86-755-8981 8866 Fax: +86-755-8427 6832

Email & Skype: info@chipsmall.com Web: www.chipsmall.com

Address: A1208, Overseas Decoration Building, #122 Zhenhua RD., Futian, Shenzhen, China



REVISIONS		RELEASED	
REV.	DESCRIPTION	DATE	APPROVED
A	RELEASE TO PRODUCTION	11-08-18	CR



CONSTRUCTION GASKET SEALED

MAIN CONTACTS CONFIGURATION SPST N.O. (DOUBLE BREAK)

VOLTAGE 28 VDC

CURRENT RESISTIVE 400 AMPS

OVERLOAD 450 AMPS FOR 5 MIN

1000 AMPS FOR 10 SEC.

INRUSH 1500 AMPS

RUPTURE 4000 AMPS

AUXILIARY CONTACTS CONFIGURATION 2 FORM C

VOLTAGE 28 VDC

CURRENT RESISTIVE 5 AMPS

INDUCTIVE 2 AMPS

LAMP 1 AMP

LOW LEVEL 1 mA AT 28 VDC

COIL DATA DUTY CYCLE CONTINUOUS (ECONOMIZED)

MAX OPERATE VOLTAGE 32 VDC

NOM OPERATE VOLTAGE 28 VDC

MAX PICKUP VOLTAGE 13 VDC AT 20°C (FIRST APPLICATION)

16 VDC AT 85°C

DROPOUT VOLTAGE 9 VDC MAX

COIL CURRENT INRUSH 6 AMP MAX AT 32 VDC AND -40°C

HOLD 500 mA MAX AT 32 VDC AND 25°C

OPERATE TIME 35 mSEC MAX AT 18 TO 32 VDC

RELEASE TIME 20 mSEC MAX AT 28 VDC

BOUNCE TIME 5 mSEC MAX AT 18 TO 32 VDC

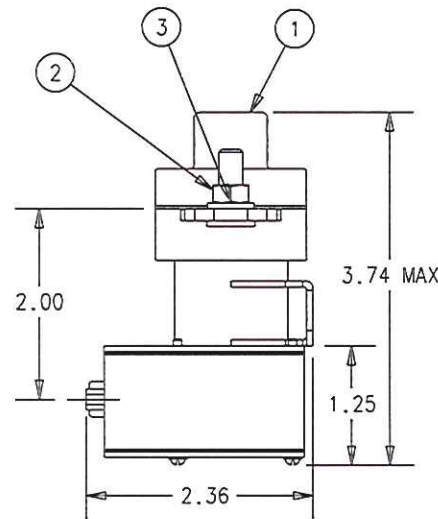
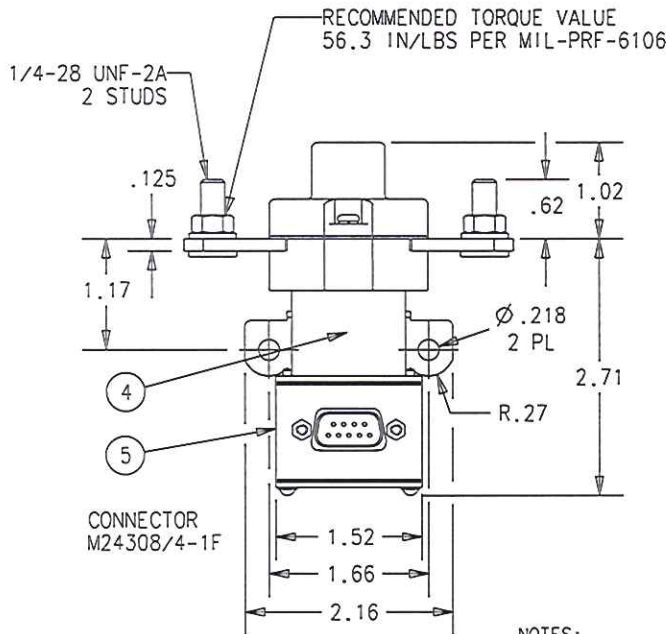
ENVIRONMENTAL DATA TEMPERATURE -55°C TO 85°C

ALTITUDE 50,000 FEET

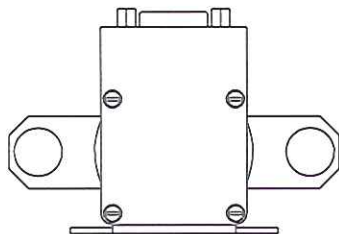
LIFE ELECTRICAL 50,000 CYCLES MIN.

LIFE MECHANICAL 100,000 CYCLES MIN.

WEIGHT MAX EST. .77 LBS



- NOTES:
1. COIL TRANSIENT VOLTAGE LIMITED TO ±42 VOLTS REFERENCED TO ZERO VOLTS.
 2. AUXILIARY CONTACTS ARE GOLD PLATED.
 3. 1 MILLIAMPERE RATING DOES NOT APPLY IF CONTACTS HAVE SWITCHED LOADS ABOVE 1 MILLIAMPERE.



5	1	44900-015	SCHEMATIC DIAGRAM				9-1616970-4
4	1	44899-026	NAME PLATE				9-1616970-3
3	2	51807-034	LOCKWASHER, 1/4 SPLIT				3-1616360-0
2	2	50407-074	NUT 1/4-28 3/8 X 3/16 HEX				9-1616337-0
1	1	47619-080	PRIMARY ASSEMBLY				7-1616968-5
FIND NO	QTY RECD	PART OR IDENTIFYING NO	NOMENCLATURE OR DESCRIPTION	DRAWING OR SPECIFICATION	FSC# NO	TE PART NO	MATERIAL OR NOTE
UNLESS OTHERWISE SPECIFIED DIMENSIONS ARE IN INCHES TOLERANCES ON			 Harmon Division 175 N. DIAMOND STREET MANSFIELD, OHIO 44902				
2 PL DEC.	3 PL DEC.	ANGLES					
±.06	±.010	± 1°	DR BY	RSS 06-06-23	CONTACTOR - SPST N.O. DB 400 AMP, 28 VDC		
			CHK BY	CR 11-08-18			
			ENGR	RSS 06-06-23			
			MFG	SBA 01-03-17	DWG NO. K4001A3C		
			SIZE	CODE IDENT			
			A	74063	REF TE PN 6-1616968-5		
			SCALE 1:2	SHEET 1 OF 1			