



Chipsmall Limited consists of a professional team with an average of over 10 year of expertise in the distribution of electronic components. Based in Hongkong, we have already established firm and mutual-benefit business relationships with customers from,Europe,America and south Asia,supplying obsolete and hard-to-find components to meet their specific needs.

With the principle of “Quality Parts,Customers Priority,Honest Operation,and Considerate Service”,our business mainly focus on the distribution of electronic components. Line cards we deal with include Microchip,ALPS,ROHM,Xilinx,Pulse,ON,Everlight and Freescale. Main products comprise IC,Modules,Potentiometer,IC Socket,Relay,Connector.Our parts cover such applications as commercial,industrial, and automotives areas.

We are looking forward to setting up business relationship with you and hope to provide you with the best service and solution. Let us make a better world for our industry!



Contact us

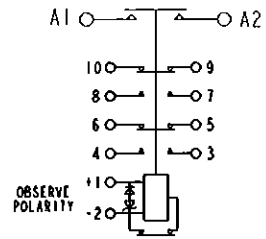
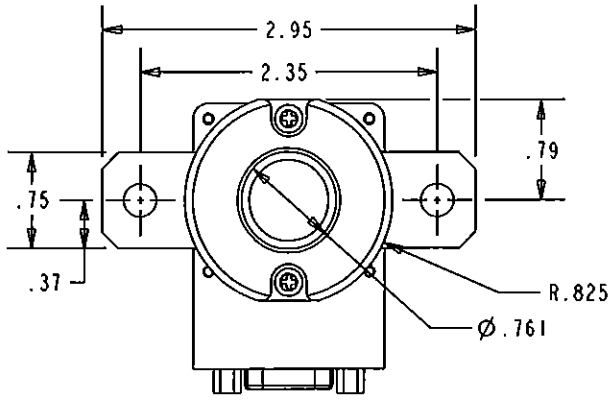
Tel: +86-755-8981 8866 Fax: +86-755-8427 6832

Email & Skype: info@chipsmall.com Web: www.chipsmall.com

Address: A1208, Overseas Decoration Building, #122 Zhenhua RD., Futian, Shenzhen, China



REVISIONS		RELEASED	APPROVED
REV.	DESCRIPTION	DATE	
A	RELEASED TO PRODUCTION	13-01-16	ADW



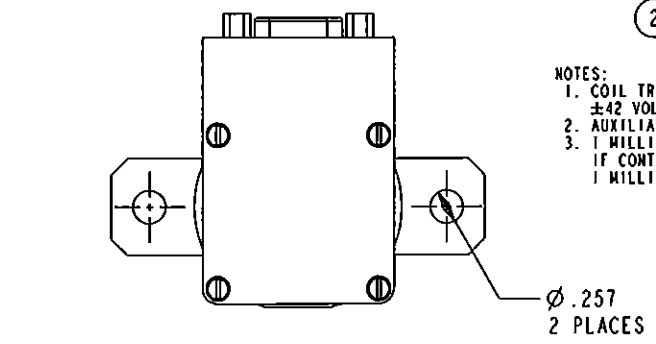
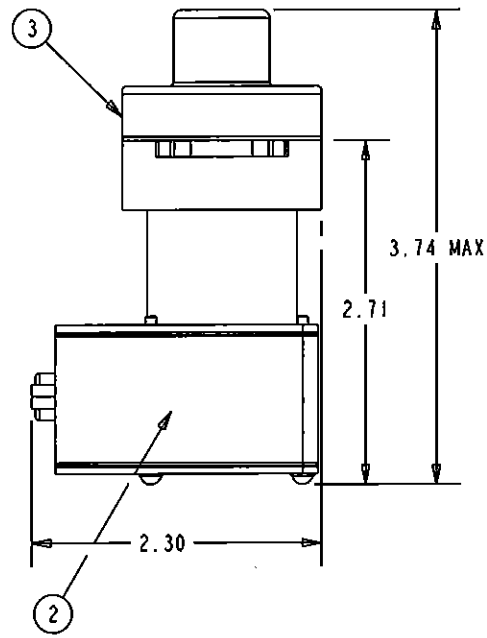
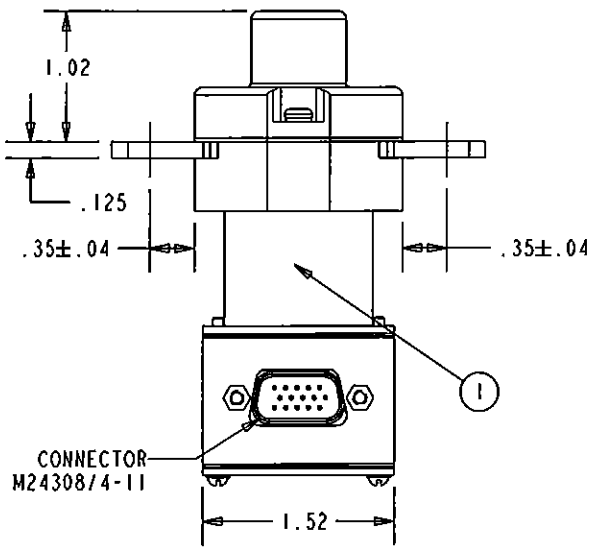
CONSTRUCTION
MAIN CONTACTS
 CONFIGURATION SPST N.O. (DOUBLE BREAK)
 VOLTAGE 28 VDC
 CURRENT RESISTIVE 400 AMPS
 OVERLOAD 450 AMPS FOR 5 MIN
 1000 AMPS FOR 10 SEC.
 INRUSH 1500 AMPS
 RUPTURE 4000 AMPS

AUXILIARY CONTACTS
 CONFIGURATION 2 N.O., 2 N.C.
 VOLTAGE 28 VDC
 CURRENT RESISTIVE 5 AMPS
 INDUCTIVE 2 AMPS
 LAMP 1 AMP
 LOW LEVEL 1 mA AT 28 VDC

COIL DATA
 DUTY CYCLE CONTINUOUS (ECONOMIZED)
 MAX OPERATE VOLTAGE 32 VDC
 NOM OPERATE VOLTAGE 28 VDC
 MAX PICKUP VOLTAGE 13 VDC AT 20°C (FIRST APPLICATION)
 16 VDC AT 85°C
 DROPOUT VOLTAGE 9 VDC MAX
 COIL CURRENT INRUSH 8 AMP MAX AT 32 VDC AND -40°C
 HOLD 650 mA MAX AT 32 VDC AND 25°C
 OPERATE TIME 35 mSEC MAX AT 18 TO 32 VDC
 RELEASE TIME 20 mSEC MAX AT 28 VDC
 BOUNCE TIME 5 mSEC MAX AT 18 TO 32 VDC

ENVIRONMENTAL DATA
 TEMPERATURE -55°C TO 85°C
 ALTITUDE 50,000 FEET

LIFE ELECTRICAL 50,000 CYCLES MIN.
LIFE MECHANICAL 100,000 CYCLES MIN.
WEIGHT MAX EST. .61 LBS



- NOTES:
 1. COIL TRANSIENT VOLTAGE LIMITED TO ±42 VOLTS REFERENCED TO ZERO VOLTS.
 2. AUXILIARY CONTACTS ARE GOLD PLATED.
 3. 1 MILLIAMPERE RATING DOES NOT APPLY IF CONTACTS HAVE SWITCHED LOADS ABOVE 1 MILLIAMPERE.

FIND NO	QTY REQD	PART OR IDENTIFYING NO	NOMENCLATURE OR DESCRIPTION	DRAWING OR SPECIFICATION	FSC#	TE PART NO	MATERIAL OR NOTE
3	1	47619-130	PRIMARY ASSEMBLY				9-1616983-1
2	1	44900-018	SCHEMATIC DIAGRAM				4-1616974-7
1	1	44899-036	NAME PLATE				9-1616983-9

UNLESS OTHERWISE SPECIFIED DIMENSIONS ARE IN INCHES TOLERANCES ON		DR BY		RSS 11-06-07	
2 PL DEC.	.3 PL DEC.	CHN BY	ADW	13-01-18	
±.06	±.010	ENGR	RSS	11-06-07	
		MFG	DWA	13-01-18	
SIZE	CODE IDENT	MFG NO.			
A	74063	K4001B5C2			
SCALE 2:3		SHEET 1 OF 1		REF TE PN 8-1616982-7	



CONTACTOR - SPST N.O. DB
 400 AMP, 28 VDC