



Chipsmall Limited consists of a professional team with an average of over 10 year of expertise in the distribution of electronic components. Based in Hongkong, we have already established firm and mutual-benefit business relationships with customers from,Europe,America and south Asia,supplying obsolete and hard-to-find components to meet their specific needs.

With the principle of “Quality Parts,Customers Priority,Honest Operation,and Considerate Service”,our business mainly focus on the distribution of electronic components. Line cards we deal with include Microchip,ALPS,ROHM,Xilinx,Pulse,ON,Everlight and Freescale. Main products comprise IC,Modules,Potentiometer,IC Socket,Relay,Connector.Our parts cover such applications as commercial,industrial, and automotives areas.

We are looking forward to setting up business relationship with you and hope to provide you with the best service and solution. Let us make a better world for our industry!



Contact us

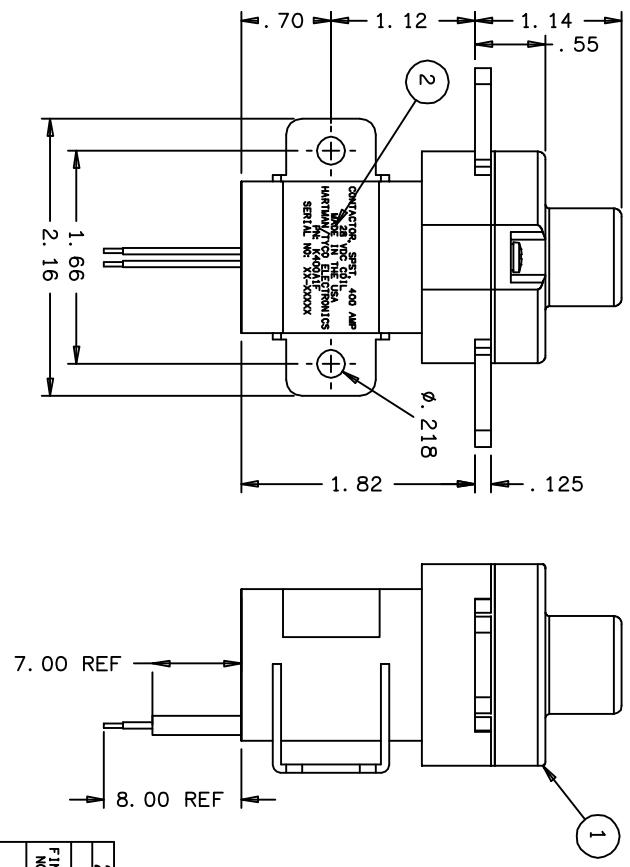
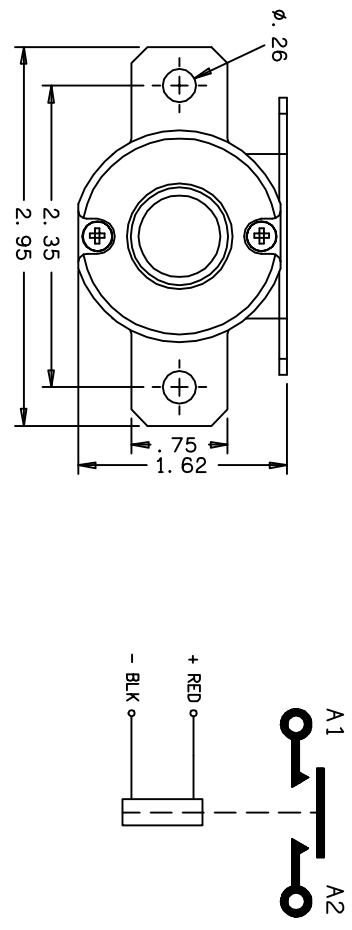
Tel: +86-755-8981 8866 Fax: +86-755-8427 6832

Email & Skype: info@chipsmall.com Web: www.chipsmall.com

Address: A1208, Overseas Decoration Building, #122 Zhenhua RD., Futian, Shenzhen, China



REVISIONS		RELEASED	DATE	APPROVED
REV	DESCRIPTION			
A	-		05/02/08	
B	001939	REMOVED PRELIM. ADDED NAME PLATE INFO	05/05/03	CB
C	008425061	ADDED COIL CURRENT TO COIL DATA	08/10/08	CB



CONSTRUCTION
GASKET SEALED

MAIN CONTACTS
SPST N.O. (DOUBLE BREAK)

VOLTAGE
28 VDC

CURRENT
400 AMPS

RESISTIVE RUPTURE
4000 AMPS

VOLTAGE DROP
150 mv @ 400 AMPS

COIL DATA
CONTINUOUS

DUTY CYCLE
28 VDC

NOM. OPERATE VOLTAGE
18 VDC

MAX. PICKUP VOLTAGE
0.5-7.0 VDC

DROPOUT VOLTAGE
.55 AMPS @ 32 VDC @ 25°C

ENVIRONMENTAL DATA
TEMPERATURE
-55°C TO 85°C

ALTITUDE
50,000 FT

LIFE ELECTRICAL
50,000 CYCLES

LIFE MECHANICAL
100,000 CYCLES

WEIGHT, MAX
.65 LBS

QTY	PART OR IDENTIFYING NO	NAME PLATE	NO ENCLATURE OR DESCRIPTION	CAGE NO	DRAWING OR SPECIFICATION	MATERIAL OR NOTE
1	44899-016	CONTACTOR PRIMARY ASSEMBLY				
1	46095-090	CONTACTOR PRIMARY ASSEMBLY				

UNLESS OTHERWISE SPECIFIED DIMENSIONS ARE IN INCHES TOLERANCES IN

±.06 ±.010 ±1°

2 PL DEC. IS PL DEC. ANGLES

DR BY RSS 05/02/08
CHK BY CB 05/05/04
ENGR RSS 05/05/04
MFG EJV 05/05/04

SCALE 1/1 SHEET

Tyco Electronics
Hartman/Tyco Electronics, 175 N. Diamond Street, Mansfield, OH 44902

CONTACTOR SPST NO DB
400 AMP, 28 VDC

DWG NO. K-400A1F

REF TE P/N 6-1616945-7