



Chipsmall Limited consists of a professional team with an average of over 10 year of expertise in the distribution of electronic components. Based in Hongkong, we have already established firm and mutual-benefit business relationships with customers from,Europe,America and south Asia,supplying obsolete and hard-to-find components to meet their specific needs.

With the principle of “Quality Parts,Customers Priority,Honest Operation,and Considerate Service”,our business mainly focus on the distribution of electronic components. Line cards we deal with include Microchip,ALPS,ROHM,Xilinx,Pulse,ON,Everlight and Freescale. Main products comprise IC,Modules,Potentiometer,IC Socket,Relay,Connector.Our parts cover such applications as commercial,industrial, and automotives areas.

We are looking forward to setting up business relationship with you and hope to provide you with the best service and solution. Let us make a better world for our industry!



Contact us

Tel: +86-755-8981 8866 Fax: +86-755-8427 6832

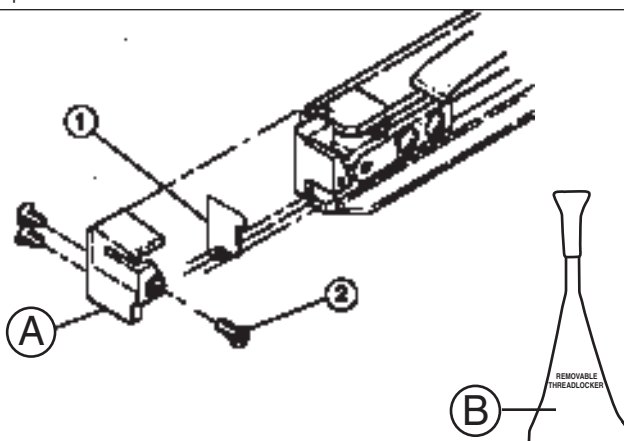
Email & Skype: info@chipsmall.com Web: www.chipsmall.com

Address: A1208, Overseas Decoration Building, #122 Zhenhua RD., Futian, Shenzhen, China



BLADE REPLACEMENT KIT FOR: GS4H AND GS4H121W INSTALLATION INSTRUCTIONS

© Panduit Corp. 2013



BLADE REPLACEMENT

1. Hold tool with nose pointing upward. Remove three existing screws (2) and carefully remove blade guard (A). Lift out existing blade (1) and discard.
2. While holding tool with nose pointing upward, place new blade into position.
NOTE: Sharp edge of blade (1) goes toward blade guard (A).
3. Place blade guard (A) into position. Apply Removable Threadlocker (B) to three new screws (2) (included) and fasten blade guard (A).
NOTE: A replacement blade guard is available from Panduit.

AUSWECHSELN DER KLINGE

1. Halten Sie das Werkzeug mit der Nase nach oben. Nehmen Sie die drei vorhandenen Schrauben (2) ab und entfernen Sie vorsichtig den Klingenschutz (A). Nehmen Sie die Klinge (1) heraus und werfen Sie sie weg.
2. Während Sie das Werkzeug mit der Nase nach oben halten, legen Sie die neue Klinge ein.
HINWEIS: Die scharfe Kante der Klinge (1) ist auf den Klingenschutz gerichtet (A).
3. Setzen Sie den Klingenschutz (A) wieder ein. Tragen Sie Removable Threadlocker (B) an den drei neuen Schrauben (2) (mitgeliefert) auf und befestigen Sie den Klingenschutz (A).
HINWEIS: Ein Ersatzklingenschutz ist durch Panduit erhältlich.

REPLACEMENT DE LA LAME

1. Tenir l'outil en orientant son nez vers le haut. Retirer les trois vis (2) du protège-lame (A) et déposer celui-ci avec précaution. Soulever la lame (1) pour l'enlever et la jeter.
2. Tout en tenant l'outil nez tourné vers le haut, mettre la lame neuve en place.
REMARQUE: Le tranchant de la lame (1) est tourné vers le protège-lame (A).
3. Mettre le protège-lame (A) en place. Appliquer du Removable Threadlocker (B) sur les trois vis neuves (2) de protège-lame (A) (incluses) et fixer celui-ci.
REMARQUE: Il est possible de se procurer un protège-lame de rechange auprès de Panduit.

SOSTITUZIONE DELLA LAMA

1. Tenere l'utensile con la punta verso l'alto. Togliere le tre viti (2) a quindi togliere la protezione della lama (A) con molta attenzione. Togliere la lama (1) solle-vandoli verso l'alto e quindi scartarli.
2. Tenendo l'utensile con la punta verso l'alto, mettere in posizione la nuova lama.
N.B.: la parte affilata della lama (1) deve essere posizionata verso la protezione della lama (A).
3. Mettere in posizione la protezione della lama (A). Applicare il Removable Threadlocker (B) alle tre viti nuove (2) (incluse) e fissare la protezione della lama (A) con le viti.
N.B.: é possibile acquistare le protezioni della lama dalla Panduit.

REEMPLAZO DE LA HOJA

1. Sujete la herramienta con la nariz hacia arriba. Quite los tres tornillos (2) de la guarda (A) de la hoja y retire este con mucho cuidado. Retire la hoja existente (1) y deséchela.
2. Mientras sostienen la herramienta con la nariz hacia arriba, coloque la nueva hoja y ensamblela dentro de su posición.
NOTA: El file de la hoja (1) esta cubierto con la guarda (A).
3. Coloque la guarda de la hoja (A) en su posición. Aplique Removable Threadlocker (B) a los tres tornillos del soporte de la hoja (2) (incluidos) y asegure bien la guarda (A).
NOTA: Hay disponible una guarda de repuesto en Panduit.

PANDUIT

www.panduit.com

Technical Support:

Tel: 888-506-5400, ext. 83255

E-mail: techsupport@panduit.com

Panduit Europe, EMEA Service Center, Almelo, Netherlands

Tel: +31 546-580-452 • Fax: +31 546-580-441

EU Website: www.panduit.com/emea

E-mail: emeatoolservicecenter@panduit.com

Panduit Latino America, Guadalajara, Jalisco, Mexico
Latino America Tel.: 52 (333) 666 2501 • Fax.: 52 (333) 666 2510

Correo electrónico Latino America:
TechSupportLatAm@panduit.com

お問い合わせ先: パンドウイトコーポレーション日本支社

•Tel: 03-6863-6000 •Fax: 03-6863-6100

•e-mail: jpn-info-e@panduit.com

http://eeg.panduit.co.jp