



Chipsmall Limited consists of a professional team with an average of over 10 year of expertise in the distribution of electronic components. Based in Hongkong, we have already established firm and mutual-benefit business relationships with customers from,Europe,America and south Asia,supplying obsolete and hard-to-find components to meet their specific needs.

With the principle of “Quality Parts,Customers Priority,Honest Operation,and Considerate Service”,our business mainly focus on the distribution of electronic components. Line cards we deal with include Microchip,ALPS,ROHM,Xilinx,Pulse,ON,Everlight and Freescale. Main products comprise IC,Modules,Potentiometer,IC Socket,Relay,Connector.Our parts cover such applications as commercial,industrial, and automotives areas.

We are looking forward to setting up business relationship with you and hope to provide you with the best service and solution. Let us make a better world for our industry!



Contact us

Tel: +86-755-8981 8866 Fax: +86-755-8427 6832

Email & Skype: info@chipsmall.com Web: www.chipsmall.com

Address: A1208, Overseas Decoration Building, #122 Zhenhua RD., Futian, Shenzhen, China





Is Now Part of



ON Semiconductor®

To learn more about ON Semiconductor, please visit our website at
www.onsemi.com

Please note: As part of the Fairchild Semiconductor integration, some of the Fairchild orderable part numbers will need to change in order to meet ON Semiconductor's system requirements. Since the ON Semiconductor product management systems do not have the ability to manage part nomenclature that utilizes an underscore (_), the underscore (_) in the Fairchild part numbers will be changed to a dash (-). This document may contain device numbers with an underscore (_). Please check the ON Semiconductor website to verify the updated device numbers. The most current and up-to-date ordering information can be found at www.onsemi.com. Please email any questions regarding the system integration to Fairchild_questions@onsemi.com.

ON Semiconductor and the ON Semiconductor logo are trademarks of Semiconductor Components Industries, LLC dba ON Semiconductor or its subsidiaries in the United States and/or other countries. ON Semiconductor owns the rights to a number of patents, trademarks, copyrights, trade secrets, and other intellectual property. A listing of ON Semiconductor's product/patent coverage may be accessed at www.onsemi.com/site/pdf/Patent-Marking.pdf. ON Semiconductor reserves the right to make changes without further notice to any products herein. ON Semiconductor makes no warranty, representation or guarantee regarding the suitability of its products for any particular purpose, nor does ON Semiconductor assume any liability arising out of the application or use of any product or circuit, and specifically disclaims any and all liability, including without limitation special, consequential or incidental damages. Buyer is responsible for its products and applications using ON Semiconductor products, including compliance with all laws, regulations and safety requirements or standards, regardless of any support or applications information provided by ON Semiconductor. "Typical" parameters which may be provided in ON Semiconductor data sheets and/or specifications can and do vary in different applications and actual performance may vary over time. All operating parameters, including "Typicals" must be validated for each customer application by customer's technical experts. ON Semiconductor does not convey any license under its patent rights nor the rights of others. ON Semiconductor products are not designed, intended, or authorized for use as a critical component in life support systems or any FDA Class 3 medical devices or medical devices with a same or similar classification in a foreign jurisdiction or any devices intended for implantation in the human body. Should Buyer purchase or use ON Semiconductor products for any such unintended or unauthorized application, Buyer shall indemnify and hold ON Semiconductor and its officers, employees, subsidiaries, affiliates, and distributors harmless against all claims, costs, damages, and expenses, and reasonable attorney fees arising out of, directly or indirectly, any claim of personal injury or death associated with such unintended or unauthorized use, even if such claim alleges that ON Semiconductor was negligent regarding the design or manufacture of the part. ON Semiconductor is an Equal Opportunity/Affirmative Action Employer. This literature is subject to all applicable copyright laws and is not for resale in any manner.



April 2015

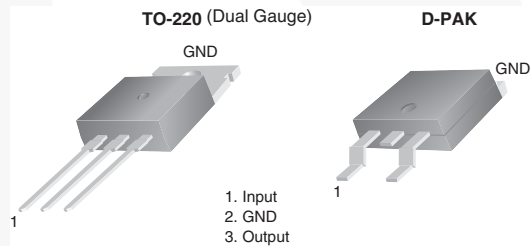
KA78XXE / KA78XXAE 3-Terminal 1 A Positive Voltage Regulator

Features

- Output Current up to 1 A
- Output Voltages of 5, 6, 8, 9, 10, 12, 15, 18, 24 V
- Thermal Overload Protection
- Short-Circuit Protection
- Output Transistor Safe Operating Area Protection

Description

The KA78XXE / KA78XXAE series of three-terminal positive regulators is available in the TO-220 / D-PAK package with several fixed-output voltages, making them useful in a wide range of applications. Each type employs internal current limiting, thermal shut-down, and safe operating area. If adequate heat sinking is provided, they can deliver over 1 A output current. Although designed primarily as fixed-voltage regulators, these devices can be used with external components for adjustable voltages and currents.



Block Diagram

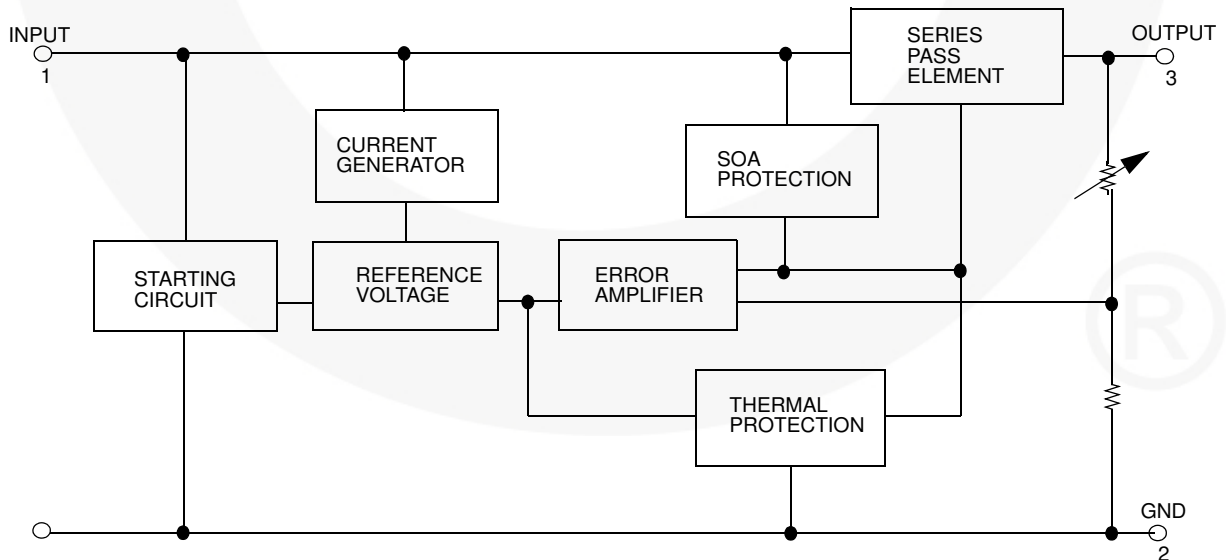


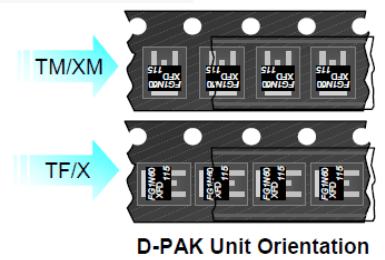
Figure 1. Block Diagram

Ordering Information

| Product Number | Output Voltage Tolerance ⁽¹⁾ | Package | Operating Temperature | Parking Method |
|----------------|---|---------------------|-----------------------|----------------|
| KA7805ETU | ±4% | TO-220 (Dual Gauge) | -40°C to +125°C | Rail |
| KA7806ETU | | | | |
| KA7808ETU | | | | |
| KA7809ETU | | | | |
| KA7810ETU | | | | |
| KA7812ETU | | | | |
| KA7815ETU | | | | |
| KA7818ETU | | | | |
| KA7824ETU | | | | |
| KA7805ERTF | | | | |
| KA7805ERTM | | | | |
| KA7808ERTM | | | | |
| KA7809ERTM | | | | |
| KA7812ERTM | | | | |
| KA7805AETU | ±2% | TO-220 (Dual Gauge) | 0°C to +125°C | Rail |
| KA7809AETU | | | | |
| KA7810AETU | | | | |
| KA7812AETU | | | | |
| KA7815AETU | | | | |
| KA7824AETU | | | | |

Notes:

1. Above output voltage tolerance is available at 25°C.
2. Refer to below figure for TM / TF Suffix for DPAK.



Absolute Maximum Ratings

Stresses exceeding the absolute maximum ratings may damage the device. The device may not function or be operable above the recommended operating conditions and stressing the parts to these levels is not recommended. In addition, extended exposure to stresses above the recommended operating conditions may affect device reliability. The absolute maximum ratings are stress ratings only. Values are at $T_A = 25^\circ\text{C}$ unless otherwise noted.

| Symbol | Parameter | Value | Unit | |
|-----------------|---|-----------------------------------|--------------------|------------------|
| V_I | Input Voltage | $V_O = 5\text{ V to }18\text{ V}$ | 35 | V |
| | | $V_O = 24\text{ V}$ | 40 | V |
| $R_{\theta JC}$ | Thermal Resistance Junction-Case (TO-220) | 5 | $^\circ\text{C/W}$ | |
| $R_{\theta JA}$ | Thermal Resistance Junction-Air (TO-220) | 65 | $^\circ\text{C/W}$ | |
| T_{OPR} | Operating Temperature Range | KA78XXE / KA78XXER | -40 to +125 | $^\circ\text{C}$ |
| | | KA78XXAE | 0 to +125 | |
| T_{STG} | Storage Temperature Range | -65 to +150 | $^\circ\text{C}$ | |

Electrical Characteristics (KA7805E / KA7805ER)Refer to test circuit, $-40^{\circ}\text{C} < T_J < 125^{\circ}\text{C}$, $I_O = 500 \text{ mA}$, $V_I = 10 \text{ V}$, $C_I = 0.33 \mu\text{F}$, $C_O = 0.1 \mu\text{F}$, unless otherwise specified.

| Symbol | Parameter | Conditions | Min. | Typ. | Max. | Unit | |
|-------------------------|-------------------------------------|--|---|------|------|------------------------|----|
| V_O | Output Voltage | $T_J = +25^{\circ}\text{C}$ | 4.80 | 5.00 | 5.20 | V | |
| | | $5.0 \text{ mA} \leq I_O \leq 1.0 \text{ A}$, $P_O \leq 15 \text{ W}$, $V_I = 7 \text{ V to } 20 \text{ V}$ | 4.75 | 5.00 | 5.25 | | |
| Regline | Line Regulation ⁽³⁾ | $T_J = +25^{\circ}\text{C}$ | $V_I = 7 \text{ V to } 25 \text{ V}$ | | 4.0 | 100.0 | mV |
| | | | $V_I = 8 \text{ V to } 12 \text{ V}$ | | 1.6 | 50.0 | |
| Regload | Load Regulation ⁽³⁾ | $T_J = +25^{\circ}\text{C}$ | $I_O = 5.0 \text{ mA to } 1.5 \text{ A}$ | | 9 | 100 | mV |
| | | | $I_O = 250 \text{ mA to } 750 \text{ mA}$ | | 4 | 50 | |
| I_Q | Quiescent Current | $T_J = +25^{\circ}\text{C}$ | | 5 | 8 | mA | |
| ΔI_Q | Quiescent Current Change | $I_O = 5 \text{ mA to } 1.0 \text{ A}$ $V_I = 7 \text{ V to } 25 \text{ V}$ | | 0.03 | 0.50 | mA | |
| | | | | 0.30 | 1.30 | | |
| $\Delta V_O / \Delta T$ | Output Voltage Drift ⁽⁴⁾ | $I_O = 5 \text{ mA}$ | | -0.8 | | mV/ $^{\circ}\text{C}$ | |
| V_N | Output Noise Voltage | $f = 10 \text{ Hz to } 100 \text{ kHz}$, $T_A = +25^{\circ}\text{C}$ | | 42 | | μV | |
| RR | Ripple Rejection ⁽⁴⁾ | $f = 120 \text{ Hz}$, $V_I = 8 \text{ V to } 18 \text{ V}$ | 62 | 73 | | dB | |
| V_{Drop} | Dropout Voltage | $I_O = 1 \text{ A}$, $T_J = +25^{\circ}\text{C}$ | | 2 | | V | |
| R_O | Output Resistance ⁽⁴⁾ | $f = 1 \text{ kHz}$ | | 15 | | m Ω | |
| I_{SC} | Short-Circuit Current | $V_I = 35 \text{ V}$, $T_A = +25^{\circ}\text{C}$ | | 230 | | mA | |
| I_{PK} | Peak Current ⁽⁴⁾ | $T_J = +25^{\circ}\text{C}$ | | 2.2 | | A | |

Notes:

- Load and line regulation are specified at constant junction temperature. Changes in V_O due to heating effects must be taken into account separately. Pulse testing with low duty is used.
- These parameters, although guaranteed, are not 100% tested in production.

Electrical Characteristics (KA7806E)

Refer to test circuit, $-40^{\circ}\text{C} < T_J < 125^{\circ}\text{C}$, $I_O = 500 \text{ mA}$, $V_I = 11 \text{ V}$, $C_I = 0.33 \mu\text{F}$, $C_O = 0.1 \mu\text{F}$, unless otherwise specified.

| Symbol | Parameter | Conditions | Min. | Typ. | Max. | Unit | |
|-----------------------|-------------------------------------|--|---|------|------|------------------------|----|
| V_O | Output Voltage | $T_J = +25^{\circ}\text{C}$ | 5.75 | 6.00 | 6.25 | V | |
| | | $5.0 \text{ mA} \leq I_O \leq 1.0 \text{ A}$, $P_O \leq 15 \text{ W}$, $V_I = 8.0 \text{ V to } 21 \text{ V}$ | 5.70 | 6.00 | 6.30 | | |
| Regline | Line Regulation ⁽⁵⁾ | $T_J = +25^{\circ}\text{C}$ | $V_I = 8 \text{ V to } 25 \text{ V}$ | | 5.0 | 120.0 | mV |
| | | | $V_I = 9 \text{ V to } 13 \text{ V}$ | | 1.5 | 60.0 | |
| Regload | Load Regulation ⁽⁵⁾ | $T_J = +25^{\circ}\text{C}$ | $I_O = 5 \text{ mA to } 1.5 \text{ A}$ | | 9 | 120 | mV |
| | | | $I_O = 250 \text{ mA to } 750 \text{ mA}$ | | 3 | 60 | |
| I_Q | Quiescent Current | $T_J = +25^{\circ}\text{C}$ | | 5 | 8 | mA | |
| ΔI_Q | Quiescent Current Change | $I_O = 5 \text{ mA to } 1 \text{ A}$ $V_I = 8 \text{ V to } 25 \text{ V}$ | | | 0.5 | mA | |
| | | | | | 1.3 | | |
| $\Delta V_O/\Delta T$ | Output Voltage Drift ⁽⁶⁾ | $I_O = 5 \text{ mA}$ | | -0.8 | | mV/ $^{\circ}\text{C}$ | |
| V_N | Output Noise Voltage | $f = 10 \text{ Hz to } 100 \text{ kHz}$, $T_A = +25^{\circ}\text{C}$ | | 45 | | μV | |
| RR | Ripple Rejection ⁽⁶⁾ | $f = 120 \text{ Hz}$, $V_I = 9 \text{ V to } 19 \text{ V}$ | 59 | 75 | | dB | |
| V_{Drop} | Dropout Voltage | $I_O = 1 \text{ A}$, $T_J = +25^{\circ}\text{C}$ | | 2 | | V | |
| R_O | Output Resistance ⁽⁶⁾ | $f = 1 \text{ kHz}$ | | 19 | | m Ω | |
| I_{SC} | Short-Circuit Current | $V_I = 35 \text{ V}$, $T_A = +25^{\circ}\text{C}$ | | 250 | | mA | |
| I_{PK} | Peak Current ⁽⁶⁾ | $T_J = +25^{\circ}\text{C}$ | | 2.2 | | A | |

Notes:

5. Load and line regulation are specified at constant junction temperature. Changes in V_O due to heating effects must be taken into account separately. Pulse testing with low duty is used.
6. These parameters, although guaranteed, are not 100% tested in production.

Electrical Characteristics (KA7808E / KA7808ER)

Refer to test circuit, $-40^{\circ}\text{C} < T_J < 125^{\circ}\text{C}$, $I_O = 500 \text{ mA}$, $V_I = 14 \text{ V}$, $C_I = 0.33 \mu\text{F}$, $C_O = 0.1 \mu\text{F}$, unless otherwise specified.

| Symbol | Parameter | Conditions | Min. | Typ. | Max. | Unit | |
|-------------------------|-------------------------------------|---|---|------|------|------------------------|----|
| V_O | Output Voltage | $T_J = +25^{\circ}\text{C}$ | 7.7 | 8.0 | 8.3 | V | |
| | | $5.0 \text{ mA} \leq I_O \leq 1.0 \text{ A}$, $P_O \leq 15 \text{ W}$, $V_I = 10.5 \text{ V to } 23 \text{ V}$ | 7.6 | 8.0 | 8.4 | | |
| Regline | Line Regulation ⁽⁷⁾ | $T_J = +25^{\circ}\text{C}$ | $V_I = 10.5 \text{ V to } 25 \text{ V}$ | | 5 | 160 | mV |
| | | | $V_I = 11.5 \text{ V to } 17 \text{ V}$ | | 2 | 80 | |
| Regload | Load Regulation ⁽⁷⁾ | $T_J = +25^{\circ}\text{C}$ | $I_O = 5.0 \text{ mA to } 1.5 \text{ A}$ | | 10 | 160 | mV |
| | | | $I_O = 250 \text{ mA to } 750 \text{ mA}$ | | 5 | 80 | |
| I_Q | Quiescent Current | $T_J = +25^{\circ}\text{C}$ | | 5 | 8 | mA | |
| ΔI_Q | Quiescent Current Change | $I_O = 5 \text{ mA to } 1.0 \text{ A}$ | | 0.05 | 0.50 | mA | |
| | | $V_I = 10.5 \text{ V to } 25 \text{ V}$ | | 0.50 | 1.00 | | |
| $\Delta V_O / \Delta T$ | Output Voltage Drift ⁽⁸⁾ | $I_O = 5 \text{ mA}$ | | -0.8 | | mV/ $^{\circ}\text{C}$ | |
| V_N | Output Noise Voltage | $f = 10 \text{ Hz to } 100 \text{ kHz}$, $T_A = +25^{\circ}\text{C}$ | | 52 | | μV | |
| RR | Ripple Rejection ⁽⁸⁾ | $f = 120 \text{ Hz}$, $V_I = 11.5 \text{ V to } 21.5 \text{ V}$ | 56 | 73 | | dB | |
| V_{Drop} | Dropout Voltage | $I_O = 1 \text{ A}$, $T_J = +25^{\circ}\text{C}$ | | 2 | | V | |
| R_O | Output Resistance ⁽⁸⁾ | $f = 1 \text{ kHz}$ | | 17 | | m Ω | |
| I_{SC} | Short-Circuit Current | $V_I = 35 \text{ V}$, $T_A = +25^{\circ}\text{C}$ | | 230 | | mA | |
| I_{PK} | Peak Current ⁽⁸⁾ | $T_J = +25^{\circ}\text{C}$ | | 2.2 | | A | |

Notes:

7. Load and line regulation are specified at constant junction temperature. Changes in V_O due to heating effects must be taken into account separately. Pulse testing with low duty is used.
8. These parameters, although guaranteed, are not 100% tested in production.

Electrical Characteristics (KA7809E / KA7809ER)Refer to test circuit, $-40^{\circ}\text{C} < T_J < 125^{\circ}\text{C}$, $I_O = 500\text{ mA}$, $V_I = 15\text{ V}$, $C_I = 0.33\text{ }\mu\text{F}$, $C_O = 0.1\text{ }\mu\text{F}$, unless otherwise specified.

| Symbol | Parameter | Conditions | Min. | Typ. | Max. | Unit | |
|-----------------------|--------------------------------------|--|---|------|------|------------------------|----|
| V_O | Output Voltage | $T_J = +25^{\circ}\text{C}$ | 8.65 | 9.00 | 9.35 | V | |
| | | $5.0\text{ mA} \leq I_O \leq 1.0\text{ A}$, $P_O \leq 15\text{ W}$, $V_I = 11.5\text{ V to } 24\text{ V}$ | 8.60 | 9.00 | 9.40 | | |
| Regline | Line Regulation ⁽⁹⁾ | $T_J = +25^{\circ}\text{C}$ | $V_I = 11.5\text{ V to } 25\text{ V}$ | | 6 | 180 | mV |
| | | | $V_I = 12\text{ V to } 17\text{ V}$ | | 2 | 90 | |
| Regload | Load Regulation ⁽⁹⁾ | $T_J = +25^{\circ}\text{C}$ | $I_O = 5\text{ mA to } 1.5\text{ A}$ | | 12 | 180 | mV |
| | | | $I_O = 250\text{ mA to } 750\text{ mA}$ | | 4 | 90 | |
| I_Q | Quiescent Current | $T_J = +25^{\circ}\text{C}$ | | 5 | 8 | mA | |
| ΔI_Q | Quiescent Current Change | $I_O = 5\text{ mA to } 1.0\text{ A}$ | | | 0.5 | mA | |
| | | $V_I = 11.5\text{ V to } 26\text{ V}$ | | | 1.3 | | |
| $\Delta V_O/\Delta T$ | Output Voltage Drift ⁽¹⁰⁾ | $I_O = 5\text{ mA}$ | | -1 | | mV/ $^{\circ}\text{C}$ | |
| V_N | Output Noise Voltage | $f = 10\text{ Hz to } 100\text{ kHz}$, $T_A = +25^{\circ}\text{C}$ | | 58 | | μV | |
| RR | Ripple Rejection ⁽¹⁰⁾ | $f = 120\text{ Hz}$, $V_I = 13\text{ V to } 23\text{ V}$ | 56 | 71 | | dB | |
| V_{Drop} | Dropout Voltage | $I_O = 1\text{ A}$, $T_J = +25^{\circ}\text{C}$ | | 2 | | V | |
| R_O | Output Resistance ⁽¹⁰⁾ | $f = 1\text{ kHz}$ | | 17 | | m Ω | |
| I_{SC} | Short-Circuit Current | $V_I = 35\text{ V}$, $T_A = +25^{\circ}\text{C}$ | | 250 | | mA | |
| I_{PK} | Peak Current ⁽¹⁰⁾ | $T_J = +25^{\circ}\text{C}$ | | 2.2 | | A | |

Notes:

9. Load and line regulation are specified at constant junction temperature. Changes in V_O due to heating effects must be taken into account separately. Pulse testing with low duty is used.
10. These parameters, although guaranteed, are not 100% tested in production.

Electrical Characteristics (KA7810E)

Refer to test circuit, $-40^{\circ}\text{C} < T_J < 125^{\circ}\text{C}$, $I_O = 500\text{ mA}$, $V_I = 16\text{ V}$, $C_I = 0.33\text{ }\mu\text{F}$, $C_O = 0.1\text{ }\mu\text{F}$, unless otherwise specified.

| Symbol | Parameter | Conditions | Min. | Typ. | Max. | Unit | |
|-----------------------|--------------------------------------|--|---|------|------|------------------------|----|
| V_O | Output Voltage | $T_J = +25^{\circ}\text{C}$ | 9.6 | 10.0 | 10.4 | V | |
| | | $5.0\text{ mA} \leq I_O \leq 1.0\text{ A}$, $P_O \leq 15\text{ W}$, $V_I = 12.5\text{ V to } 25\text{ V}$ | 9.5 | 10.0 | 10.5 | | |
| Regline | Line Regulation ⁽¹¹⁾ | $T_J = +25^{\circ}\text{C}$ | $V_I = 12.5\text{ V to } 25\text{ V}$ | | 10 | 200 | mV |
| | | | $V_I = 13\text{ V to } 25\text{ V}$ | | 3 | 100 | |
| Regload | Load Regulation ⁽¹¹⁾ | $T_J = +25^{\circ}\text{C}$ | $I_O = 5\text{ mA to } 1.5\text{ A}$ | | 12 | 200 | mV |
| | | | $I_O = 250\text{ mA to } 750\text{ mA}$ | | 4 | 400 | |
| I_Q | Quiescent Current | $T_J = +25^{\circ}\text{C}$ | | 5.1 | 8.0 | mA | |
| ΔI_Q | Quiescent Current Change | $I_O = 5\text{ mA to } 1.0\text{ A}$ | | | 0.5 | mA | |
| | | $V_I = 12.5\text{ V to } 29\text{ V}$ | | | 1.0 | | |
| $\Delta V_O/\Delta T$ | Output Voltage Drift ⁽¹²⁾ | $I_O = 5\text{ mA}$ | | -1 | | mV/ $^{\circ}\text{C}$ | |
| V_N | Output Noise Voltage | $f = 10\text{ Hz to } 100\text{ kHz}$, $T_A = +25^{\circ}\text{C}$ | | 58 | | μV | |
| RR | Ripple Rejection ⁽¹²⁾ | $f = 120\text{ Hz}$, $V_I = 13\text{ V to } 23\text{ V}$ | 56 | 71 | | dB | |
| V_{Drop} | Dropout Voltage | $I_O = 1\text{ A}$, $T_J = +25^{\circ}\text{C}$ | | 2 | | V | |
| R_O | Output Resistance ⁽¹²⁾ | $f = 1\text{ kHz}$ | | 17 | | m Ω | |
| I_{SC} | Short-Circuit Current | $V_I = 35\text{ V}$, $T_A = +25^{\circ}\text{C}$ | | 250 | | mA | |
| I_{PK} | Peak Current ⁽¹²⁾ | $T_J = +25^{\circ}\text{C}$ | | 2.2 | | A | |

Notes:

11. Load and line regulation are specified at constant junction temperature. Changes in V_O due to heating effects must be taken into account separately. Pulse testing with low duty is used.
12. These parameters, although guaranteed, are not 100% tested in production.

Electrical Characteristics (KA7812E / KA7812ER)Refer to test circuit, $-40^{\circ}\text{C} < T_J < 125^{\circ}\text{C}$, $I_O = 500\text{ mA}$, $V_I = 19\text{ V}$, $C_I = 0.33\text{ }\mu\text{F}$, $C_O = 0.1\text{ }\mu\text{F}$, unless otherwise specified.

| Symbol | Parameter | Conditions | Min. | Typ. | Max. | Unit | |
|-----------------------|--------------------------------------|--|---|------|------|------------------------|----|
| V_O | Output Voltage | $T_J = +25^{\circ}\text{C}$ | 11.5 | 12.0 | 12.5 | V | |
| | | $5.0\text{ mA} \leq I_O \leq 1.0\text{ A}$, $P_O \leq 15\text{ W}$, $V_I = 14.5\text{ V to } 27\text{ V}$ | 11.4 | 12.0 | 12.6 | | |
| Regline | Line Regulation ⁽¹³⁾ | $T_J = +25^{\circ}\text{C}$ | $V_I = 14.5\text{ V to } 30\text{ V}$ | | 10 | 240 | mV |
| | | | $V_I = 16\text{ V to } 22\text{ V}$ | | 3 | 120 | |
| Regload | Load Regulation ⁽¹³⁾ | $T_J = +25^{\circ}\text{C}$ | $I_O = 5\text{ mA to } 1.5\text{ A}$ | | 11 | 240 | mV |
| | | | $I_O = 250\text{ mA to } 750\text{ mA}$ | | 5 | 120 | |
| I_Q | Quiescent Current | $T_J = +25^{\circ}\text{C}$ | | 5.1 | 8.0 | mA | |
| ΔI_Q | Quiescent Current Change | $I_O = 5\text{ mA to } 1.0\text{ A}$ | | 0.1 | 0.5 | mA | |
| | | $V_I = 14.5\text{ V to } 30\text{ V}$ | | 0.5 | 1.0 | | |
| $\Delta V_O/\Delta T$ | Output Voltage Drift ⁽¹⁴⁾ | $I_O = 5\text{ mA}$ | | -1 | | mV/ $^{\circ}\text{C}$ | |
| V_N | Output Noise Voltage | $f = 10\text{ Hz to } 100\text{ kHz}$, $T_A = +25^{\circ}\text{C}$ | | 76 | | μV | |
| RR | Ripple Rejection ⁽¹⁴⁾ | $f = 120\text{ Hz}$, $V_I = 15\text{ V to } 25\text{ V}$ | 55 | 71 | | dB | |
| V_{Drop} | Dropout Voltage | $I_O = 1\text{ A}$, $T_J = +25^{\circ}\text{C}$ | | 2 | | V | |
| R_O | Output Resistance ⁽¹⁴⁾ | $f = 1\text{ kHz}$ | | 18 | | m Ω | |
| I_{SC} | Short-Circuit Current | $V_I = 35\text{ V}$, $T_A = +25^{\circ}\text{C}$ | | 230 | | mA | |
| I_{PK} | Peak Current ⁽¹⁴⁾ | $T_J = +25^{\circ}\text{C}$ | | 2.2 | | A | |

Notes:

13. Load and line regulation are specified at constant junction temperature. Changes in V_O due to heating effects must be taken into account separately. Pulse testing with low duty is used.
14. These parameters, although guaranteed, are not 100% tested in production.

Electrical Characteristics (KA7815E)

Refer to test circuit, $-40^{\circ}\text{C} < T_J < 125^{\circ}\text{C}$, $I_O = 500\text{ mA}$, $V_I = 23\text{ V}$, $C_I = 0.33\text{ }\mu\text{F}$, $C_O = 0.1\text{ }\mu\text{F}$, unless otherwise specified.

| Symbol | Parameter | Conditions | Min. | Typ. | Max. | Unit | |
|-----------------------|--------------------------------------|---|--|-------|-------|------------------------|----|
| V_O | Output Voltage | $T_J = +25^{\circ}\text{C}$ | 14.40 | 15.00 | 15.60 | V | |
| | | $5.0\text{ mA} \leq I_O \leq 1.0\text{ A}$, $P_O \leq 15\text{ W}$, $V_I = 17.5\text{ V to }30\text{ V}$ | 14.25 | 15.00 | 15.75 | | |
| Regline | Line Regulation ⁽¹⁵⁾ | $T_J = +25^{\circ}\text{C}$ | $V_I = 17.5\text{ V to }30\text{ V}$ | | 11 | 300 | mV |
| | | | $V_I = 20\text{ V to }26\text{ V}$ | | 3 | 150 | |
| Regload | Load Regulation ⁽¹⁵⁾ | $T_J = +25^{\circ}\text{C}$ | $I_O = 5\text{ mA to }1.5\text{ A}$ | | 12 | 300 | mV |
| | | | $I_O = 250\text{ mA to }750\text{ mA}$ | | 4 | 150 | |
| I_Q | Quiescent Current | $T_J = +25^{\circ}\text{C}$ | | 5.2 | 8.0 | mA | |
| ΔI_Q | Quiescent Current Change | $I_O = 5\text{ mA to }1.0\text{ A}$ | | | 0.5 | mA | |
| | | $V_I = 17.5\text{ V to }30\text{ V}$ | | | 1.0 | | |
| $\Delta V_O/\Delta T$ | Output Voltage Drift ⁽¹⁶⁾ | $I_O = 5\text{ mA}$ | | -1 | | mV/ $^{\circ}\text{C}$ | |
| V_N | Output Noise Voltage | $f = 10\text{ Hz to }100\text{ kHz}$, $T_A = +25^{\circ}\text{C}$ | | 90 | | μV | |
| RR | Ripple Rejection ⁽¹⁶⁾ | $f = 120\text{ Hz}$, $V_I = 18.5\text{ V to }28.5\text{ V}$ | 54 | 70 | | dB | |
| V_{Drop} | Dropout Voltage | $I_O = 1\text{ A}$, $T_J = +25^{\circ}\text{C}$ | | 2 | | V | |
| R_O | Output Resistance ⁽¹⁶⁾ | $f = 1\text{ kHz}$ | | 19 | | m Ω | |
| I_{SC} | Short-Circuit Current | $V_I = 35\text{ V}$, $T_A = +25^{\circ}\text{C}$ | | 250 | | mA | |
| I_{PK} | Peak Current ⁽¹⁶⁾ | $T_J = +25^{\circ}\text{C}$ | | 2.2 | | A | |

Notes:

15. Load and line regulation are specified at constant junction temperature. Changes in V_O due to heating effects must be taken into account separately. Pulse testing with low duty is used.
16. These parameters, although guaranteed, are not 100% tested in production.

Electrical Characteristics (KA7818E)

Refer to test circuit, $-40^{\circ}\text{C} < T_J < 125^{\circ}\text{C}$, $I_O = 500\text{ mA}$, $V_I = 27\text{ V}$, $C_I = 0.33\text{ }\mu\text{F}$, $C_O = 0.1\text{ }\mu\text{F}$, unless otherwise specified.

| Symbol | Parameter | Conditions | Min. | Typ. | Max. | Unit | |
|-----------------------|--------------------------------------|--|---|------|------|------------------------|----|
| V_O | Output Voltage | $T_J = +25^{\circ}\text{C}$ | 17.3 | 18.0 | 18.7 | V | |
| | | $5.0\text{ mA} \leq I_O \leq 1.0\text{ A}$, $P_O \leq 15\text{ W}$, $V_I = 21\text{ V to } 33\text{ V}$ | 17.1 | 18.0 | 18.9 | | |
| Regline | Line Regulation ⁽¹⁷⁾ | $T_J = +25^{\circ}\text{C}$ | $V_I = 21\text{ V to } 33\text{ V}$ | | 15 | 360 | mV |
| | | | $V_I = 24\text{ V to } 30\text{ V}$ | | 5 | 180 | |
| Regload | Load Regulation ⁽¹⁷⁾ | $T_J = +25^{\circ}\text{C}$ | $I_O = 5\text{ mA to } 1.5\text{ A}$ | | 15 | 360 | mV |
| | | | $I_O = 250\text{ mA to } 750\text{ mA}$ | | 5 | 180 | |
| I_Q | Quiescent Current | $T_J = +25^{\circ}\text{C}$ | | 5.2 | 8.0 | mA | |
| ΔI_Q | Quiescent Current Change | $I_O = 5\text{ mA to } 1.0\text{ A}$ | | | 0.5 | mA | |
| | | $V_I = 21\text{ V to } 33\text{ V}$ | | | 1.0 | | |
| $\Delta V_O/\Delta T$ | Output Voltage Drift ⁽¹⁸⁾ | $I_O = 5\text{ mA}$ | | -1 | | mV/ $^{\circ}\text{C}$ | |
| V_N | Output Noise Voltage | $f = 10\text{ Hz to } 100\text{ kHz}$, $T_A = +25^{\circ}\text{C}$ | | 110 | | μV | |
| RR | Ripple Rejection ⁽¹⁸⁾ | $f = 120\text{ Hz}$, $V_I = 22\text{ V to } 32\text{ V}$ | 53 | 69 | | dB | |
| V_{Drop} | Dropout Voltage | $I_O = 1\text{ A}$, $T_J = +25^{\circ}\text{C}$ | | 2 | | V | |
| R_O | Output Resistance ⁽¹⁸⁾ | $f = 1\text{ kHz}$ | | 22 | | m Ω | |
| I_{SC} | Short-Circuit Current | $V_I = 35\text{ V}$, $T_A = +25^{\circ}\text{C}$ | | 250 | | mA | |
| I_{PK} | Peak Current ⁽¹⁸⁾ | $T_J = +25^{\circ}\text{C}$ | | 2.2 | | A | |

Notes:

17. Load and line regulation are specified at constant junction temperature. Changes in V_O due to heating effects must be taken into account separately. Pulse testing with low duty is used.
18. These parameters, although guaranteed, are not 100% tested in production.

Electrical Characteristics (KA7824E)

Refer to test circuit, $-40^{\circ}\text{C} < T_J < 125^{\circ}\text{C}$, $I_O = 500 \text{ mA}$, $V_I = 33 \text{ V}$, $C_I = 0.33 \mu\text{F}$, $C_O = 0.1 \mu\text{F}$, unless otherwise specified.

| Symbol | Parameter | Conditions | Min. | Typ. | Max. | Unit | |
|-----------------------|--------------------------------------|---|---|-------|-------|------------------------|----|
| V_O | Output Voltage | $T_J = +25^{\circ}\text{C}$ | 23.00 | 24.00 | 25.00 | V | |
| | | $5.0 \text{ mA} \leq I_O \leq 1.0 \text{ A}$, $P_O \leq 15 \text{ W}$, $V_I = 27 \text{ V to } 38 \text{ V}$ | 22.80 | 24.00 | 25.25 | | |
| Regline | Line Regulation ⁽¹⁹⁾ | $T_J = +25^{\circ}\text{C}$ | $V_I = 27 \text{ V to } 38 \text{ V}$ | | 17 | 480 | mV |
| | | | $V_I = 30 \text{ V to } 36 \text{ V}$ | | 6 | 240 | |
| Regload | Load Regulation ⁽¹⁹⁾ | $T_J = +25^{\circ}\text{C}$ | $I_O = 5 \text{ mA to } 1.5 \text{ A}$ | | 15 | 480 | mV |
| | | | $I_O = 250 \text{ mA to } 750 \text{ mA}$ | | 5 | 240 | |
| I_Q | Quiescent Current | $T_J = +25^{\circ}\text{C}$ | | 5.2 | 8.0 | mA | |
| ΔI_Q | Quiescent Current Change | $I_O = 5 \text{ mA to } 1.0 \text{ A}$ $V_I = 27 \text{ V to } 38 \text{ V}$ | | 0.1 | 0.5 | mA | |
| | | | | 0.5 | 1.0 | | |
| $\Delta V_O/\Delta T$ | Output Voltage Drift ⁽²⁰⁾ | $I_O = 5 \text{ mA}$ | | -1.5 | | mV/ $^{\circ}\text{C}$ | |
| V_N | Output Noise Voltage | $f = 10 \text{ Hz to } 100 \text{ kHz}$, $T_A = +25^{\circ}\text{C}$ | | 120 | | μV | |
| RR | Ripple Rejection ⁽²⁰⁾ | $f = 120 \text{ Hz}$, $V_I = 28 \text{ V to } 38 \text{ V}$ | 50 | 67 | | dB | |
| V_{Drop} | Dropout Voltage | $I_O = 1 \text{ A}$, $T_J = +25^{\circ}\text{C}$ | | 2 | | V | |
| R_O | Output Resistance ⁽²⁰⁾ | $f = 1 \text{ kHz}$ | | 28 | | m Ω | |
| I_{SC} | Short-Circuit Current | $V_I = 35 \text{ V}$, $T_A = +25^{\circ}\text{C}$ | | 230 | | mA | |
| I_{PK} | Peak Current ⁽²⁰⁾ | $T_J = +25^{\circ}\text{C}$ | | 2.2 | | A | |

Notes:

19. Load and line regulation are specified at constant junction temperature. Changes in V_O due to heating effects must be taken into account separately. Pulse testing with low duty is used.
20. These parameters, although guaranteed, are not 100% tested in production.

Electrical Characteristics (KA7805AE)

Refer to the test circuit, $0^{\circ}\text{C} < T_J < +125^{\circ}\text{C}$, $I_O = 1\text{ A}$, $V_I = 10\text{ V}$, $C_I = 0.33\text{ }\mu\text{F}$, $C_O = 0.1\text{ }\mu\text{F}$, unless otherwise specified.

| Symbol | Parameter | Conditions | Min. | Typ. | Max. | Unit | |
|---------------------|--------------------------------------|---|-------------------------------------|------|------|------------------------|------|
| V_O | Output Voltage | $T_J = +25^{\circ}\text{C}$ | 4.9 | 5.0 | 5.1 | V | |
| | | $I_O = 5\text{ mA to }1\text{ A}$, $P_O \leq 15\text{ W}$, $V_I = 7.5\text{ V to }20\text{ V}$ | 4.8 | 5.0 | 5.2 | | |
| Regline | Line Regulation ⁽²¹⁾ | $V_I = 7.5\text{ V to }25\text{ V}$, $I_O = 500\text{ mA}$ | | 5.0 | 50.0 | mV | |
| | | $V_I = 8\text{ V to }12\text{ V}$ | | 3.0 | 50.0 | | |
| | | $T_J = +25^{\circ}\text{C}$ | $V_I = 7.3\text{ V to }20\text{ V}$ | | 5.0 | | 50.0 |
| | | | $V_I = 8\text{ V to }12\text{ V}$ | | 1.5 | | 25.0 |
| Regload | Load Regulation ⁽²¹⁾ | $T_J = +25^{\circ}\text{C}$, $I_O = 5\text{ mA to }1.5\text{ A}$ | | 9 | 100 | mV | |
| | | $I_O = 5\text{ mA to }1\text{ A}$ | | 9 | 100 | | |
| | | $I_O = 250\text{ mA to }750\text{ mA}$ | | 4 | 50 | | |
| I_Q | Quiescent Current | $T_J = +25^{\circ}\text{C}$ | | 5 | 6 | mA | |
| ΔI_Q | Quiescent Current Change | $I_O = 5\text{ mA to }1\text{ A}$ | | | 0.5 | mA | |
| | | $V_I = 8\text{ V to }25\text{ V}$, $I_O = 500\text{ mA}$ | | | 0.8 | | |
| | | $V_I = 7.5\text{ V to }20\text{ V}$, $T_J = +25^{\circ}\text{C}$ | | | 0.8 | | |
| $\Delta V/\Delta T$ | Output Voltage Drift ⁽²²⁾ | $I_O = 5\text{ mA}$ | | -0.8 | | mV/ $^{\circ}\text{C}$ | |
| V_N | Output Noise Voltage | $f = 10\text{ Hz to }100\text{ kHz}$, $T_A = +25^{\circ}\text{C}$ | | 42 | | μV | |
| RR | Ripple Rejection ⁽²²⁾ | $f = 120\text{ Hz}$, $I_O = 500\text{ mA}$, $V_I = 8\text{ V to }18\text{ V}$ | | 68 | | dB | |
| V_{Drop} | Dropout Voltage | $I_O = 1\text{ A}$, $T_J = +25^{\circ}\text{C}$ | | 2 | | V | |
| R_O | Output Resistance ⁽²²⁾ | $f = 1\text{ kHz}$ | | 17 | | m Ω | |
| I_{SC} | Short-Circuit Current | $V_I = 35\text{ V}$, $T_A = +25^{\circ}\text{C}$ | | 250 | | mA | |
| I_{PK} | Peak Current ⁽²²⁾ | $T_J = +25^{\circ}\text{C}$ | | 2.2 | | A | |

Notes:

21. Load and line regulation are specified at constant junction temperature. Change in V_O due to heating effects must be taken into account separately. Pulse testing with low duty is used.

22. These parameters, although guaranteed, are not 100% tested in production.

Electrical Characteristics (KA7809AE)Refer to the test circuit, $0^{\circ}\text{C} < T_J < +125^{\circ}\text{C}$, $I_O = 1\text{ A}$, $V_I = 15\text{ V}$, $C_I = 0.33\text{ }\mu\text{F}$, $C_O = 0.1\text{ }\mu\text{F}$, unless otherwise specified.

| Symbol | Parameter | Conditions | Min. | Typ. | Max. | Unit | |
|---------------------|--------------------------------------|--|--------------------------------------|------|------|------------------------|----|
| V_O | Output Voltage | $T_J = +25^{\circ}\text{C}$ | 8.82 | 9.00 | 9.18 | V | |
| | | $I_O = 5\text{ mA to }1\text{ A}$, $P_O \leq 15\text{ W}$, $V_I = 11.2\text{ V to }24\text{ V}$ | 8.65 | 9.00 | 9.35 | | |
| Regline | Line Regulation ⁽²³⁾ | $V_I = 11.7\text{ V to }25\text{ V}$, $I_O = 500\text{ mA}$ | | 6 | 90 | mV | |
| | | $V_I = 12.5\text{ V to }19\text{ V}$ | | 4 | 45 | | |
| | | $T_J = +25^{\circ}\text{C}$ | $V_I = 11.5\text{ V to }24\text{ V}$ | | 6 | | 90 |
| | | | $V_I = 12.5\text{ V to }19\text{ V}$ | | 2 | | 45 |
| Regload | Load Regulation ⁽²³⁾ | $T_J = +25^{\circ}\text{C}$, $I_O = 5\text{ mA to }1.0\text{ A}$ | | 12 | 100 | mV | |
| | | $I_O = 5\text{ mA to }1.0\text{ A}$ | | 12 | 100 | | |
| | | $I_O = 250\text{ mA to }750\text{ mA}$ | | 5 | 50 | | |
| I_Q | Quiescent Current | $T_J = +25^{\circ}\text{C}$ | | 5 | 6 | mA | |
| ΔI_Q | Quiescent Current Change | $V_I = 11.7\text{ V to }25\text{ V}$, $T_J = +25^{\circ}\text{C}$ | | | 0.8 | mA | |
| | | $V_I = 12\text{ V to }25\text{ V}$, $I_O = 500\text{ mA}$ | | | 0.8 | | |
| | | $I_O = 5\text{ mA to }1.0\text{ A}$ | | | 0.5 | | |
| $\Delta V/\Delta T$ | Output Voltage Drift ⁽²⁴⁾ | $I_O = 5\text{ mA}$ | | -1 | | mV/ $^{\circ}\text{C}$ | |
| V_N | Output Noise Voltage | $f = 10\text{ Hz to }100\text{ kHz}$, $T_A = +25^{\circ}\text{C}$ | | 58 | | μV | |
| RR | Ripple Rejection ⁽²⁴⁾ | $f = 120\text{ Hz}$, $I_O = 500\text{ mA}$, $V_I = 12\text{ V to }22\text{ V}$ | | 62 | | dB | |
| V_{Drop} | Dropout Voltage | $I_O = 1\text{ A}$, $T_J = +25^{\circ}\text{C}$ | | 2 | | V | |
| R_O | Output Resistance ⁽²⁴⁾ | $f = 1\text{ kHz}$ | | 17 | | m Ω | |
| I_{SC} | Short-Circuit Current | $V_I = 35\text{ V}$, $T_A = +25^{\circ}\text{C}$ | | 250 | | mA | |
| I_{PK} | Peak Current ⁽²⁴⁾ | $T_J = +25^{\circ}\text{C}$ | | 2.2 | | A | |

Notes:

23. Load and line regulation are specified at constant junction temperature. Change in V_O due to heating effects must be taken into account separately. Pulse testing with low duty is used.

24. These parameters, although guaranteed, are not 100% tested in production.

Electrical Characteristics (KA7810AE)Refer to the test circuit, $0^{\circ}\text{C} < T_J < +125^{\circ}\text{C}$, $I_O = 1\text{ A}$, $V_I = 16\text{ V}$, $C_I = 0.33\text{ }\mu\text{F}$, $C_O = 0.1\text{ }\mu\text{F}$, unless otherwise specified.

| Symbol | Parameter | Conditions | Min. | Typ. | Max. | Unit | |
|---------------------|--------------------------------------|--|--------------------------------------|------|------|------------------------|-----|
| V_O | Output Voltage | $T_J = +25^{\circ}\text{C}$ | 9.8 | 10.0 | 10.2 | V | |
| | | $I_O = 5\text{ mA to }1\text{ A}$, $P_O \leq 15\text{ W}$, $V_I = 12.8\text{ V to }25\text{ V}$ | 9.6 | 10.0 | 10.4 | | |
| Regline | Line Regulation ⁽²⁵⁾ | $V_I = 12.8\text{ V to }26\text{ V}$, $I_O = 500\text{ mA}$ | | 8 | 100 | mV | |
| | | $V_I = 13\text{ V to }20\text{ V}$ | | 4 | 50 | | |
| | | $T_J = +25^{\circ}\text{C}$ | $V_I = 12.5\text{ V to }25\text{ V}$ | | 8 | | 100 |
| | | | $V_I = 13\text{ V to }20\text{ V}$ | | 3 | | 50 |
| Regload | Load Regulation ⁽²⁵⁾ | $T_J = +25^{\circ}\text{C}$, $I_O = 5\text{ mA to }1.5\text{ A}$ | | 12 | 100 | mV | |
| | | $I_O = 5\text{ mA to }1\text{ mA}$ | | 12 | 100 | | |
| | | $I_O = 250\text{ mA to }750\text{ mA}$ | | 5 | 50 | | |
| I_Q | Quiescent Current | $T_J = +25^{\circ}\text{C}$ | | 5 | 6 | mA | |
| ΔI_Q | Quiescent Current Change | $I_O = 5\text{ mA to }1.0\text{ A}$ | | | 0.5 | mA | |
| | | $V_I = 12.8\text{ V to }25\text{ V}$, $I_O = 500\text{ mA}$ | | | 0.8 | | |
| | | $V_I = 13\text{ V to }26\text{ V}$, $T_J = +25^{\circ}\text{C}$ | | | 0.5 | | |
| $\Delta V/\Delta T$ | Output Voltage Drift ⁽²⁶⁾ | $I_O = 5\text{ mA}$ | | -1 | | mV/ $^{\circ}\text{C}$ | |
| V_N | Output Noise Voltage | $f = 10\text{ Hz to }100\text{ kHz}$, $T_A = +25^{\circ}\text{C}$ | | 58 | | μV | |
| RR | Ripple Rejection ⁽²⁶⁾ | $f = 120\text{ Hz}$, $I_O = 500\text{ mA}$, $V_I = 14\text{ V to }24\text{ V}$ | | 62 | | dB | |
| V_{Drop} | Dropout Voltage | $I_O = 1\text{ A}$, $T_J = +25^{\circ}\text{C}$ | | 2 | | V | |
| R_O | Output Resistance ⁽²⁶⁾ | $f = 1\text{ kHz}$ | | 17 | | m Ω | |
| I_{SC} | Short-Circuit Current | $V_I = 35\text{ V}$, $T_A = +25^{\circ}\text{C}$ | | 250 | | mA | |
| I_{PK} | Peak Current ⁽²⁶⁾ | $T_J = +25^{\circ}\text{C}$ | | 2.2 | | A | |

Notes:

25. Load and line regulation are specified at constant junction temperature. Change in V_O due to heating effects must be taken into account separately. Pulse testing with low duty is used.

26. These parameters, although guaranteed, are not 100% tested in production.

Electrical Characteristics (KA7812AE)Refer to the test circuit, $0^{\circ}\text{C} < T_J < +125^{\circ}\text{C}$, $I_O = 1\text{ A}$, $V_I = 19\text{ V}$, $C_I = 0.33\text{ }\mu\text{F}$, $C_O = 0.1\text{ }\mu\text{F}$, unless otherwise specified.

| Symbol | Parameter | Conditions | Min. | Typ. | Max. | Unit | |
|---------------------|--------------------------------------|--|--------------------------------------|-------|-------|------------------------|-----|
| V_O | Output Voltage | $T_J = +25^{\circ}\text{C}$ | 11.75 | 12.00 | 12.25 | V | |
| | | $I_O = 5\text{ mA to }1\text{ A}$, $P_O \leq 15\text{ W}$, $V_I = 14.8\text{ V to }27\text{ V}$ | 11.50 | 12.00 | 12.50 | | |
| Regline | Line Regulation ⁽²⁷⁾ | $V_I = 14.8\text{ V to }30\text{ V}$, $I_O = 500\text{ mA}$ | | 10 | 120 | mV | |
| | | $V_I = 16\text{ V to }22\text{ V}$ | | 4 | 120 | | |
| | | $T_J = +25^{\circ}\text{C}$ | $V_I = 14.5\text{ V to }27\text{ V}$ | | 10 | | 120 |
| | | | $V_I = 16\text{ V to }22\text{ V}$ | | 3 | | 60 |
| Regload | Load Regulation ⁽²⁷⁾ | $T_J = +25^{\circ}\text{C}$, $I_O = 5\text{ mA to }1.5\text{ A}$ | | 12 | 100 | mV | |
| | | $I_O = 5\text{ mA to }1.0\text{ A}$ | | 12 | 100 | | |
| | | $I_O = 250\text{ mA to }750\text{ mA}$ | | 5 | 50 | | |
| I_Q | Quiescent Current | $T_J = +25^{\circ}\text{C}$ | | 5.1 | 6.0 | mA | |
| ΔI_Q | Quiescent Current Change | $V_I = 15\text{ V to }30\text{ V}$, $T_J = +25^{\circ}\text{C}$ | | | 0.8 | mA | |
| | | $V_I = 14\text{ V to }27\text{ V}$, $I_O = 500\text{ mA}$ | | | 0.8 | | |
| | | $I_O = 5\text{ mA to }1.0\text{ A}$ | | | 0.5 | | |
| $\Delta V/\Delta T$ | Output Voltage Drift ⁽²⁸⁾ | $I_O = 5\text{ mA}$ | | -1 | | mV/ $^{\circ}\text{C}$ | |
| V_N | Output Noise Voltage | $f = 10\text{ Hz to }100\text{ kHz}$, $T_A = +25^{\circ}\text{C}$ | | 76 | | μV | |
| RR | Ripple Rejection ⁽²⁸⁾ | $f = 120\text{ Hz}$, $I_O = 500\text{ mA}$, $V_I = 14\text{ V to }24\text{ V}$ | | 60 | | dB | |
| V_{Drop} | Dropout Voltage | $I_O = 1\text{ A}$, $T_J = +25^{\circ}\text{C}$ | | 2 | | V | |
| R_O | Output Resistance ⁽²⁸⁾ | $f = 1\text{ kHz}$ | | 18 | | m Ω | |
| I_{SC} | Short-Circuit Current | $V_I = 35\text{ V}$, $T_A = +25^{\circ}\text{C}$ | | 250 | | mA | |
| I_{PK} | Peak Current ⁽²⁸⁾ | $T_J = +25^{\circ}\text{C}$ | | 2.2 | | A | |

Notes:

27. Load and line regulation are specified at constant junction temperature. Change in V_O due to heating effects must be taken into account separately. Pulse testing with low duty is used.

28. These parameters, although guaranteed, are not 100% tested in production.

Electrical Characteristics (KA7815AE)Refer to the test circuit, $0^{\circ}\text{C} < T_J < +125^{\circ}\text{C}$, $I_O = 1\text{ A}$, $V_I = 23\text{ V}$, $C_I = 0.33\text{ }\mu\text{F}$, $C_O = 0.1\text{ }\mu\text{F}$, unless otherwise specified.

| Symbol | Parameter | Conditions | Min. | Typ. | Max. | Unit | |
|---------------------|--------------------------------------|--|--------------------------------------|------|------|------------------------|-----|
| V_O | Output Voltage | $T_J = +25^{\circ}\text{C}$ | 14.7 | 15.0 | 15.3 | V | |
| | | $I_O = 5\text{ mA to }1\text{ A}$, $P_O \leq 15\text{ W}$, $V_I = 17.7\text{ V to }30\text{ V}$ | 14.4 | 15.0 | 15.6 | | |
| Regline | Line Regulation ⁽²⁹⁾ | $V_I = 17.9\text{ V to }30\text{ V}$, $I_O = 500\text{ mA}$ | | 10 | 150 | mV | |
| | | $V_I = 20\text{ V to }26\text{ V}$ | | 5 | 150 | | |
| | | $T_J = +25^{\circ}\text{C}$ | $V_I = 17.5\text{ V to }30\text{ V}$ | | 11 | | 150 |
| | | | $V_I = 20\text{ V to }26\text{ V}$ | | 3 | | 75 |
| Regload | Load Regulation ⁽²⁹⁾ | $T_J = +25^{\circ}\text{C}$, $I_O = 5\text{ mA to }1.5\text{ A}$ | | 12 | 100 | mV | |
| | | $I_O = 5\text{ mA to }1.0\text{ A}$ | | 12 | 100 | | |
| | | $I_O = 250\text{ mA to }750\text{ mA}$ | | 5 | 50 | | |
| I_Q | Quiescent Current | $T_J = +25^{\circ}\text{C}$ | | 5.2 | 6.0 | mA | |
| ΔI_Q | Quiescent Current Change | $V_I = 17.5\text{ V to }30\text{ V}$, $T_J = +25^{\circ}\text{C}$ | | | 0.8 | mA | |
| | | $V_I = 17.5\text{ V to }30\text{ V}$, $I_O = 500\text{ mA}$ | | | 0.8 | | |
| | | $I_O = 5\text{ mA to }1.0\text{ A}$ | | | 0.5 | | |
| $\Delta V/\Delta T$ | Output Voltage Drift ⁽³⁰⁾ | $I_O = 5\text{ mA}$ | | -1 | | mV/ $^{\circ}\text{C}$ | |
| V_N | Output Noise Voltage | $f = 10\text{ Hz to }100\text{ kHz}$, $T_A = +25^{\circ}\text{C}$ | | 90 | | μV | |
| RR | Ripple Rejection ⁽³⁰⁾ | $f = 120\text{ Hz}$, $I_O = 500\text{ mA}$, $V_I = 18.5\text{ V to }28.5\text{ V}$ | | 58 | | dB | |
| V_{Drop} | Dropout Voltage | $I_O = 1\text{ A}$, $T_J = +25^{\circ}\text{C}$ | | 2 | | V | |
| R_O | Output Resistance ⁽³⁰⁾ | $f = 1\text{ kHz}$ | | 19 | | m Ω | |
| I_{SC} | Short-Circuit Current | $V_I = 35\text{ V}$, $T_A = +25^{\circ}\text{C}$ | | 250 | | mA | |
| I_{PK} | Peak Current ⁽³⁰⁾ | $T_J = +25^{\circ}\text{C}$ | | 2.2 | | A | |

Notes:

29. Load and line regulation are specified at constant junction temperature. Change in V_O due to heating effects must be taken into account separately. Pulse testing with low duty is used.

30. These parameters, although guaranteed, are not 100% tested in production.

Electrical Characteristics (KA7824AE)Refer to the test circuit, $0^{\circ}\text{C} < T_J < +125^{\circ}\text{C}$, $I_O = 1\text{ A}$, $V_I = 33\text{ V}$, $C_I = 0.33\text{ }\mu\text{F}$, $C_O = 0.1\text{ }\mu\text{F}$, unless otherwise specified.

| Symbol | Parameter | Conditions | Min. | Typ. | Max. | Unit | |
|---------------------|--------------------------------------|--|--------------------------------------|------|------|------------------------|-----|
| V_O | Output Voltage | $T_J = +25^{\circ}\text{C}$ | 23.5 | 24.0 | 24.5 | V | |
| | | $I_O = 5\text{ mA to }1\text{ A}$, $P_O \leq 15\text{ W}$, $V_I = 27.3\text{ V to }38\text{ V}$ | 23.0 | 24.0 | 25.0 | | |
| Regline | Line Regulation ⁽³¹⁾ | $V_I = 27\text{ V to }38\text{ V}$, $I_O = 500\text{ mA}$ | | 18 | 240 | mV | |
| | | $V_I = 21\text{ V to }33\text{ V}$ | | 6 | 240 | | |
| | | $T_J = +25^{\circ}\text{C}$ | $V_I = 26.7\text{ V to }38\text{ V}$ | | 18 | | 240 |
| | | | $V_I = 30\text{ V to }36\text{ V}$ | | 6 | | 120 |
| Regload | Load Regulation ⁽³¹⁾ | $T_J = +25^{\circ}\text{C}$, $I_O = 5\text{ mA to }1.5\text{ A}$ | | 15 | 100 | mV | |
| | | $I_O = 5\text{ mA to }1.0\text{ A}$ | | 15 | 100 | | |
| | | $I_O = 250\text{ mA to }750\text{ mA}$ | | 7 | 50 | | |
| I_Q | Quiescent Current | $T_J = +25^{\circ}\text{C}$ | | 5.2 | 6.0 | mA | |
| ΔI_Q | Quiescent Current Change | $V_I = 27.3\text{ V to }38\text{ V}$, $T_J = +25^{\circ}\text{C}$ | | | 0.8 | mA | |
| | | $V_I = 27.3\text{ V to }38\text{ V}$, $I_O = 500\text{ mA}$ | | | 0.8 | | |
| | | $I_O = 5\text{ mA to }1.0\text{ A}$ | | | 0.5 | | |
| $\Delta V/\Delta T$ | Output Voltage Drift ⁽³²⁾ | $I_O = 5\text{ mA}$ | | -1.5 | | mV/ $^{\circ}\text{C}$ | |
| V_N | Output Noise Voltage | $f = 10\text{ Hz to }100\text{ kHz}$, $T_A = +25^{\circ}\text{C}$ | | 120 | | μV | |
| RR | Ripple Rejection ⁽³²⁾ | $f = 120\text{ Hz}$, $I_O = 500\text{ mA}$, $V_I = 28\text{ V to }38\text{ V}$ | | 54 | | dB | |
| V_{Drop} | Dropout Voltage | $I_O = 1\text{ A}$, $T_J = +25^{\circ}\text{C}$ | | 2 | | V | |
| R_O | Output Resistance ⁽³²⁾ | $f = 1\text{ kHz}$ | | 20 | | m Ω | |
| I_{SC} | Short-Circuit Current | $V_I = 35\text{ V}$, $T_A = +25^{\circ}\text{C}$ | | 250 | | mA | |
| I_{PK} | Peak Current ⁽³²⁾ | $T_J = +25^{\circ}\text{C}$ | | 2.2 | | A | |

Notes:

31. Load and line regulation are specified at constant junction temperature. Change in V_O due to heating effects must be taken into account separately. Pulse testing with low duty is used.

32. These parameters, although guaranteed, are not 100% tested in production.

Typical Performance Characteristics

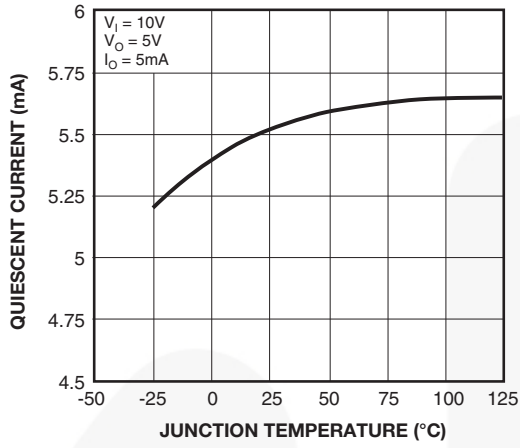


Figure 2. Quiescent Current

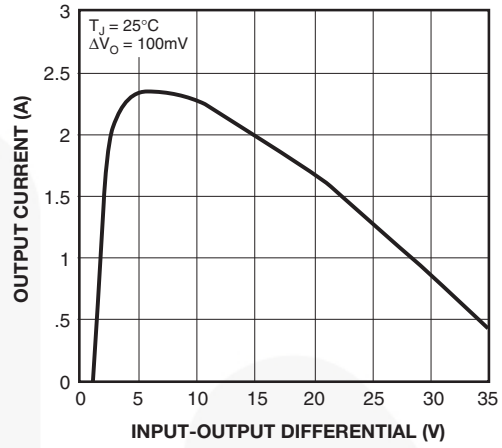


Figure 3. Peak Output Current

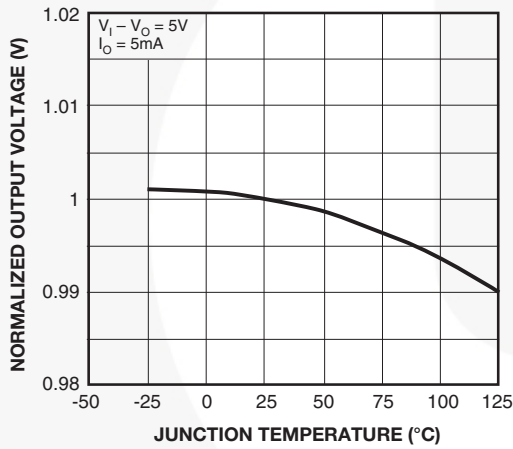


Figure 4. Output Voltage

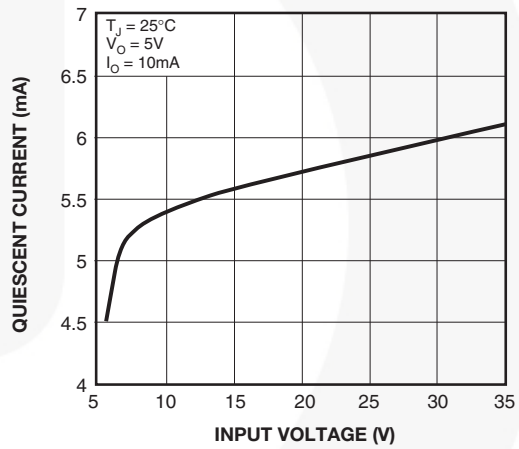


Figure 5. Quiescent Current

Typical Applications

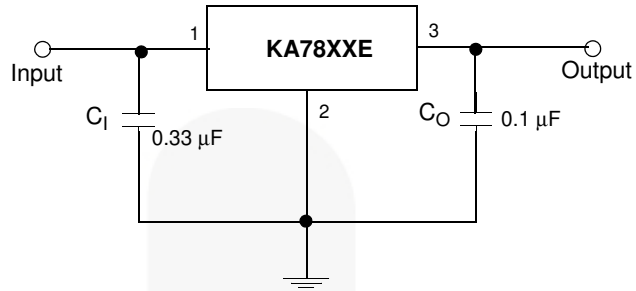


Figure 6. DC Parameters

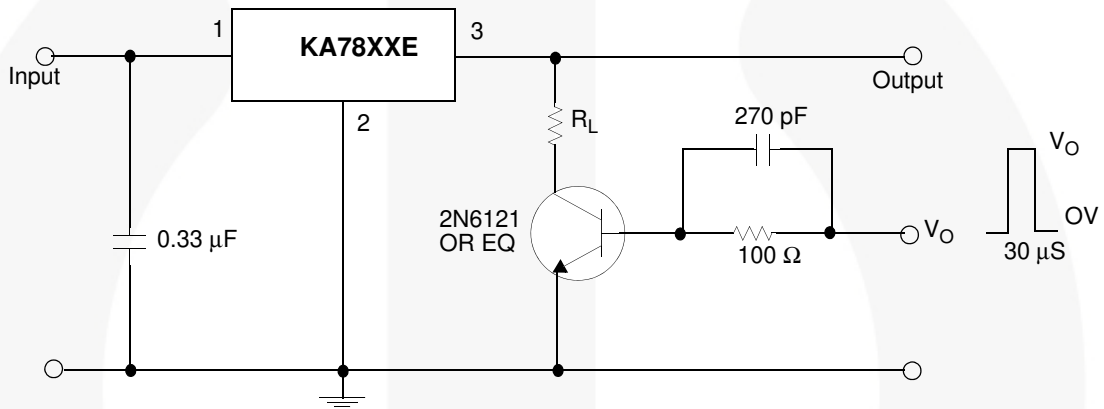


Figure 7. Load Regulation

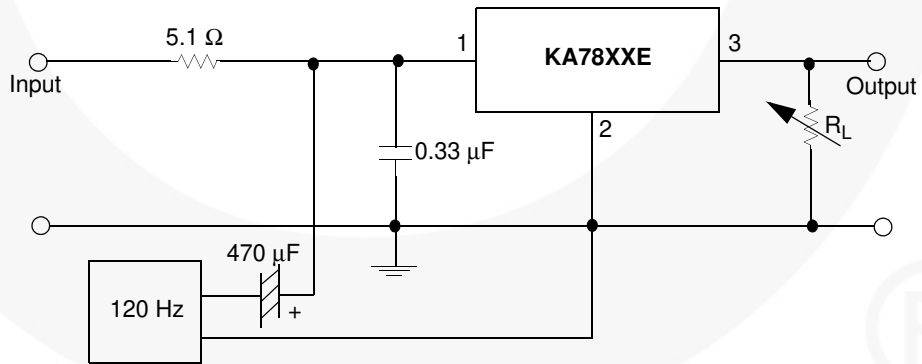


Figure 8. Ripple Rejection

Typical Applications (Continued)

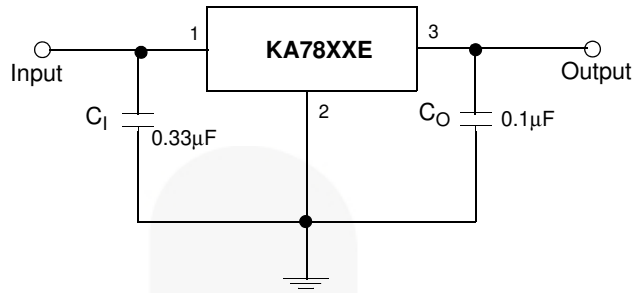


Figure 9. Fixed Output Regulator

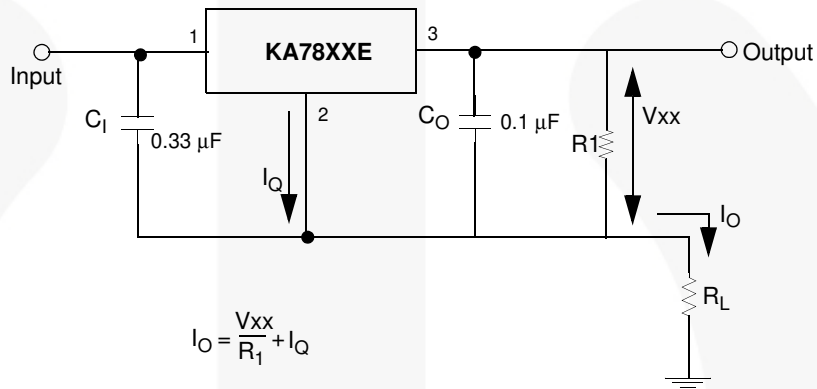
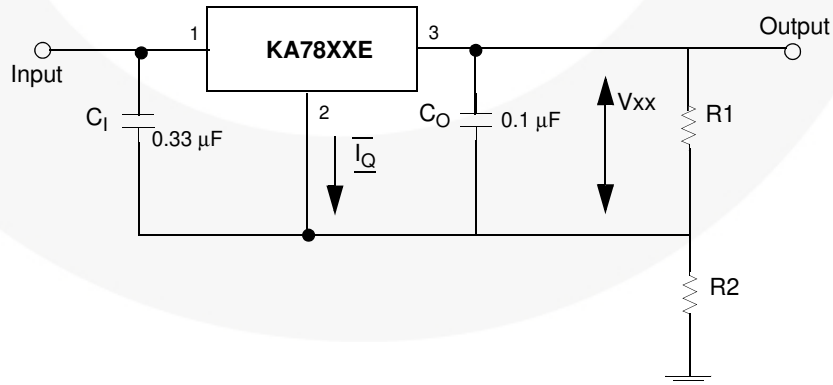


Figure 10. Constant Current Regulator

Notes:

- 33. To specify an output voltage, substitute voltage value for "XX". A common ground is required between the input and the output voltage. The input voltage must remain typically 2.0 V above the output voltage even during the low point on the input ripple voltage.
- 34. C₁ is required if regulator is located an appreciable distance from power supply filter.
- 35. C_O improves stability and transient response.

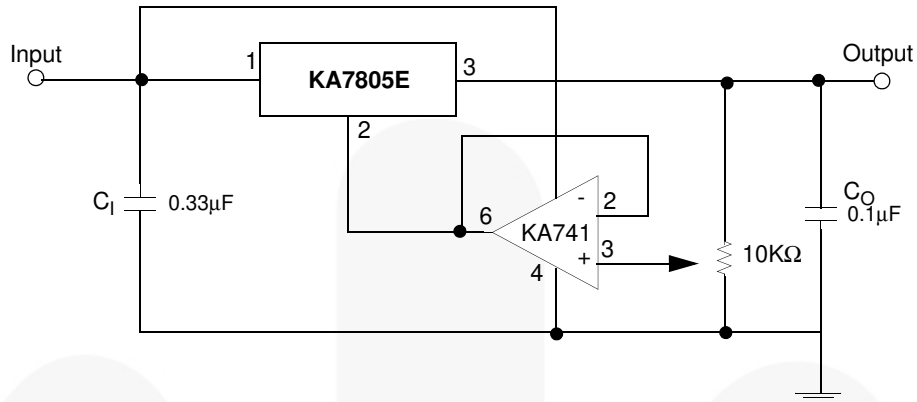


$$I_{R1} \geq 5I_Q$$

$$V_O = V_{XX}(1+R_2/R_1) + I_Q R_2$$

Figure 11. Circuit for Increasing Output Voltage

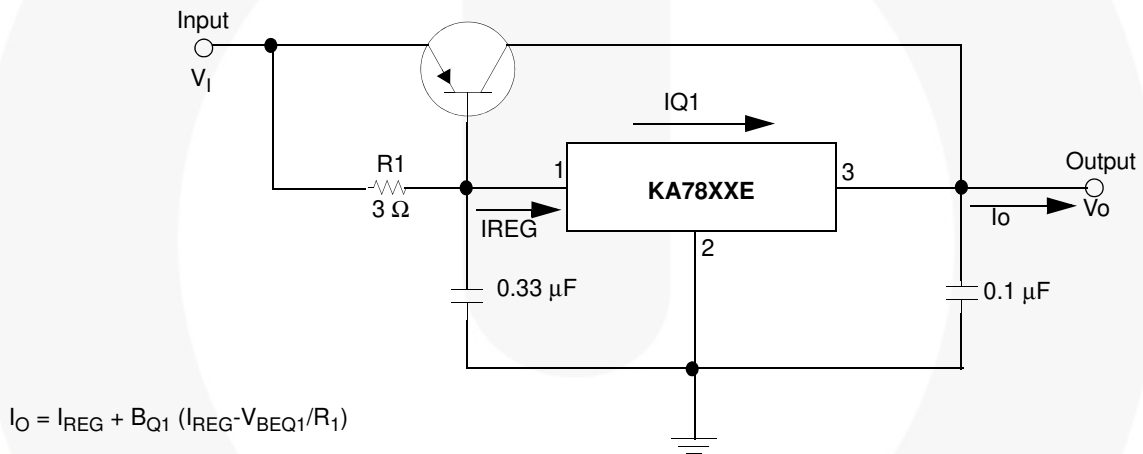
Typical Applications (Continued)



$$I_{R1} \geq 5 I_Q$$

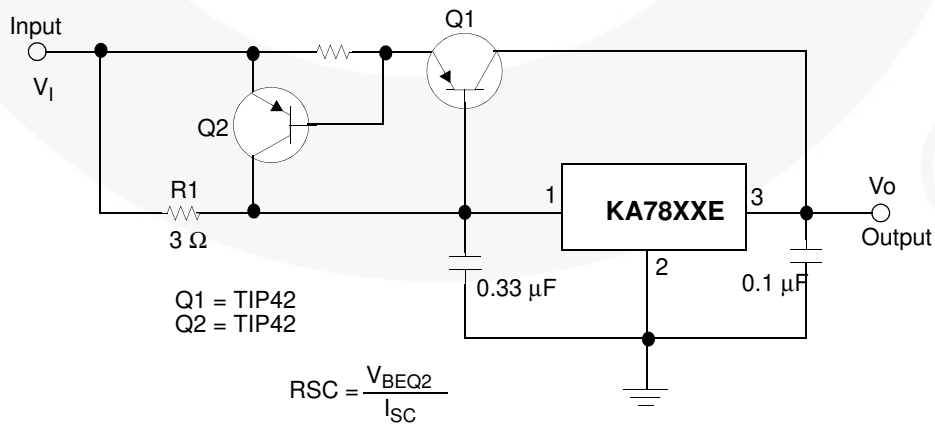
$$V_O = V_{XX}(1+R_2/R_1) + I_Q R_2$$

Figure 12. Adjustable Output Regulator (7 V to 30 V)



$$I_O = I_{REG} + \beta_{Q1} (I_{REG} - V_{BEQ1}/R_1)$$

Figure 13. High-Current Voltage Regulator



Q1 = TIP42
Q2 = TIP42

$$R_{SC} = \frac{V_{BEQ2}}{I_{SC}}$$

Figure 14. High Output Current with Short-Circuit Protection

Typical Applications (Continued)

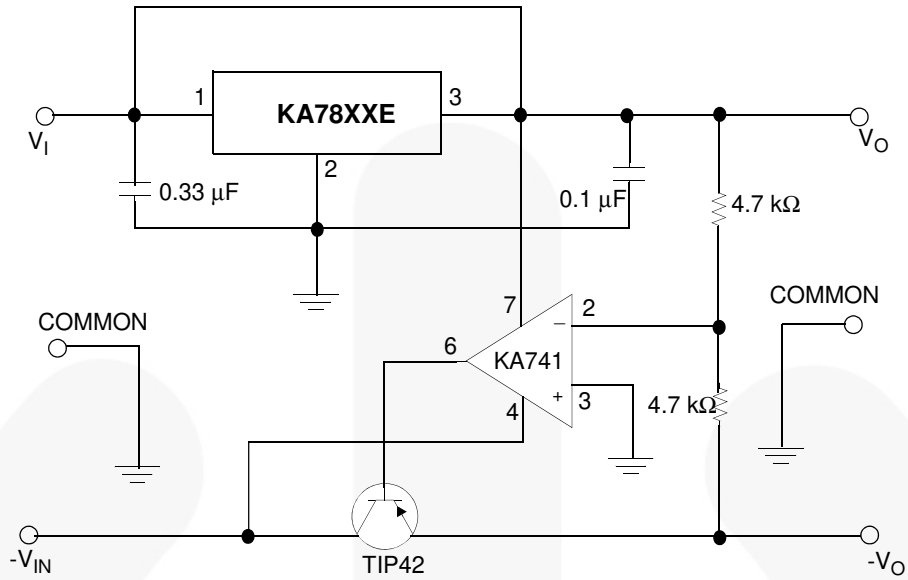


Figure 15. Tracking Voltage Regulator

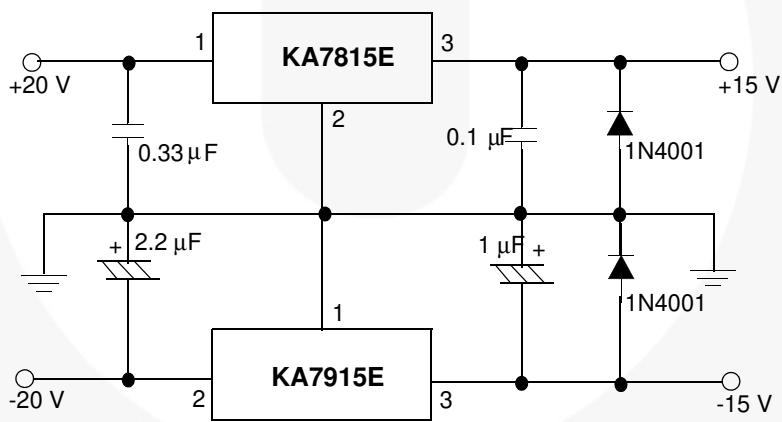


Figure 16. Split-Power Supply (± 15 V - 1 A)

Typical Applications (Continued)

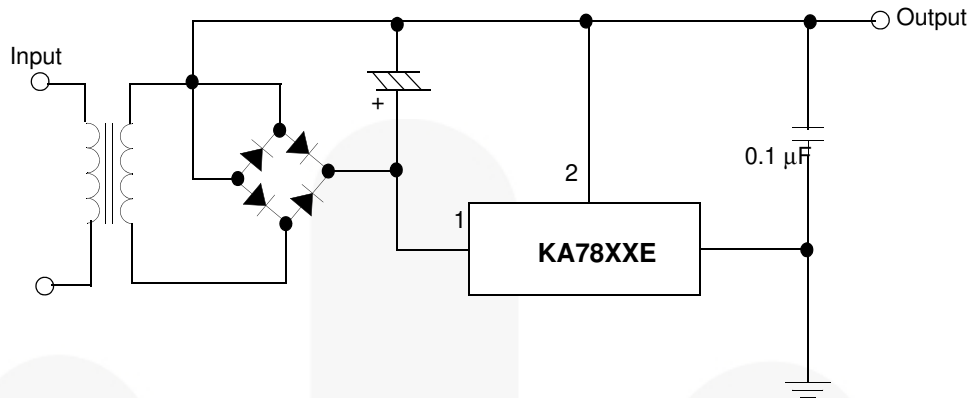


Figure 17. Negative Output Voltage Circuit

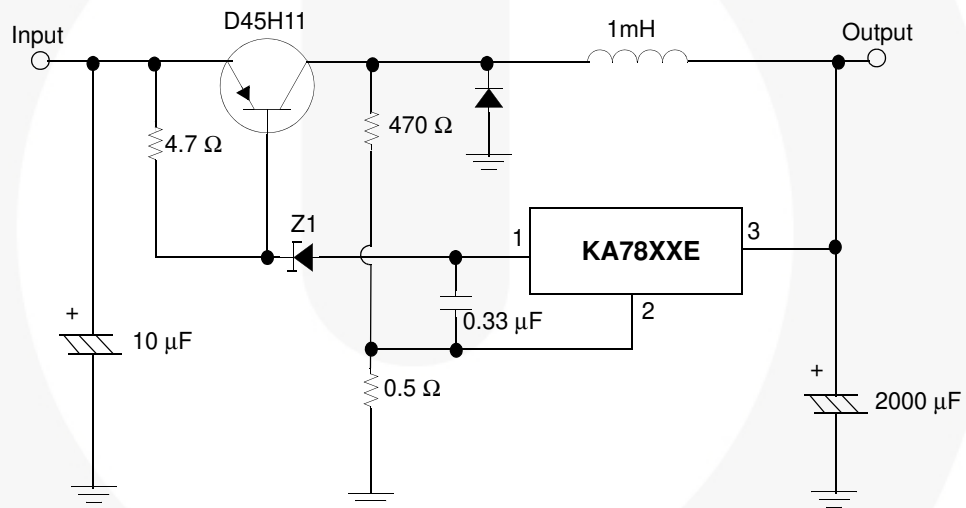


Figure 18. Switching Regulator