



Chipsmall Limited consists of a professional team with an average of over 10 year of expertise in the distribution of electronic components. Based in Hongkong, we have already established firm and mutual-benefit business relationships with customers from,Europe,America and south Asia,supplying obsolete and hard-to-find components to meet their specific needs.

With the principle of “Quality Parts,Customers Priority,Honest Operation,and Considerate Service”,our business mainly focus on the distribution of electronic components. Line cards we deal with include Microchip,ALPS,ROHM,Xilinx,Pulse,ON,Everlight and Freescale. Main products comprise IC,Modules,Potentiometer,IC Socket,Relay,Connector.Our parts cover such applications as commercial,industrial, and automotives areas.

We are looking forward to setting up business relationship with you and hope to provide you with the best service and solution. Let us make a better world for our industry!



Contact us

Tel: +86-755-8981 8866 Fax: +86-755-8427 6832

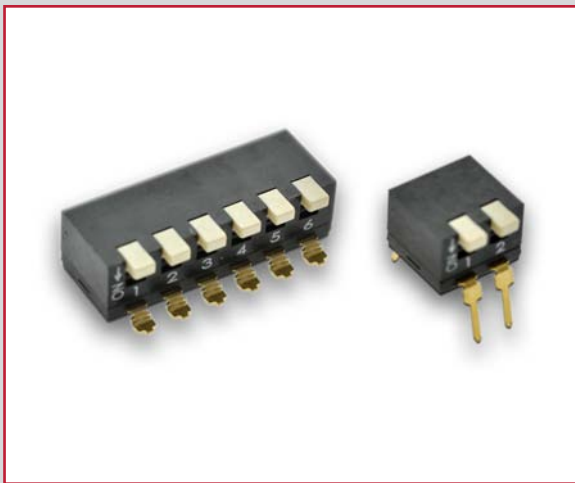
Email & Skype: info@chipsmall.com Web: www.chipsmall.com

Address: A1208, Overseas Decoration Building, #122 Zhenhua RD., Futian, Shenzhen, China

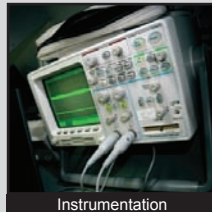
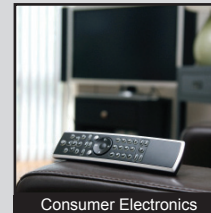
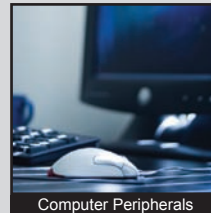
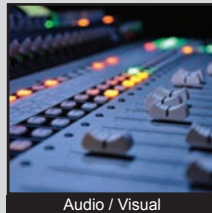


KAC SERIES DIP SWITCH

ANTI-VANDAL SWITCHES
 DETECTOR SWITCHES
 DIP SWITCHES
 KEYLOCK SWITCHES
 NAVIGATION SWITCHES
 PUSHBUTTON SWITCHES
 ROCKER SWITCHES
 ROTARY SWITCHES
 SLIDE SWITCHES
 SNAP ACTION SWITCHES
 TACTILE SWITCHES
 TOGGLE SWITCHES
 CAP OPTIONS



APPLICATIONS / MARKETS



RoHS

SPECIFICATIONS

Electrical Rating: 100mA @ 50VDC Non-Switching
 25mA @ 24VDC Switching
Life Expectancy: 2,000 Cycles
Contact Resistance: 100mΩ Max.
Insulation Resistance: 100 MΩ Min. at 500VDC
Dielectric Strength: 100VAC for 1 min.
Operating Temperature: -20°C to 85°C
Storage Temperature: -40°C to 85°C
Travel: 20 degrees nominal
Contact Arrangement: SPST each position

FEATURES & BENEFITS

- Splayed or gullwing termination options
- Packaging options include Tube or Tape & Reel
- Up to 10 positions
- Gold contacts
- Switches are supplied in "OFF" position

PART NUMBER CONFIGURATOR

Series	No. of Positions	Actuator	Termination	Contact Material	Packaging
<input type="text" value="KAC"/>	<input type="text" value="02"/> - 2 positions <input type="text" value="04"/> - 4 positions <input type="text" value="06"/> - 6 positions <input type="text" value="08"/> - 8 positions <input type="text" value="10"/> - 10 positions	<input type="text" value="L"/> - Extended	<input type="text" value="A"/> - Splayed <input type="text" value="G"/> - Gullwing	<input type="text" value="G"/> - Gold	<input type="text" value="T"/> - Tube <input type="text" value="R"/> - Tape & Reel

Specifications subject to change without notice



E-SWITCH®

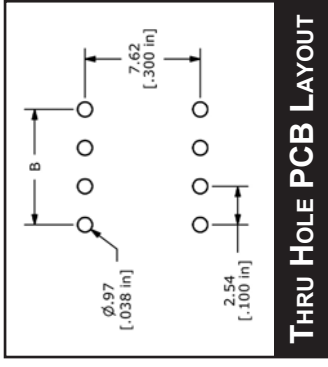
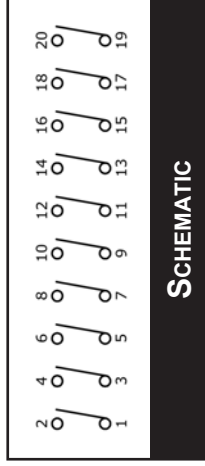
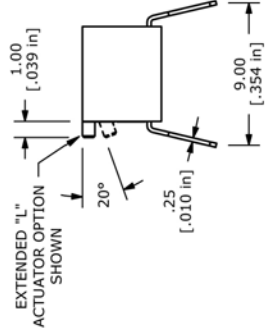
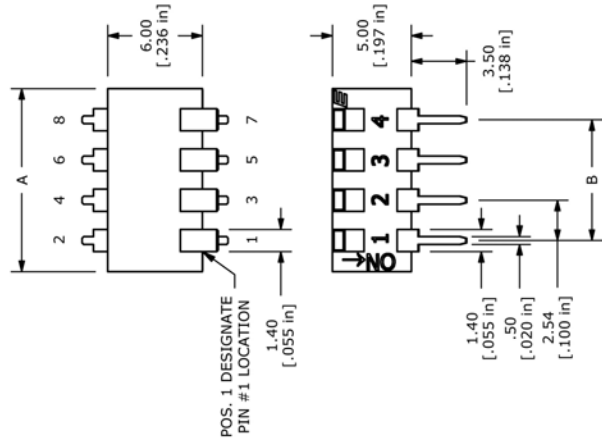
www.e-switch.com

800.867.2717

2

KAC SERIES DIP SWITCH

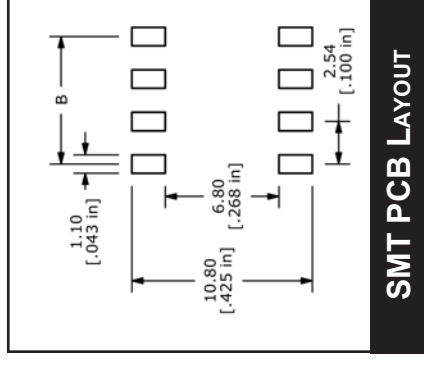
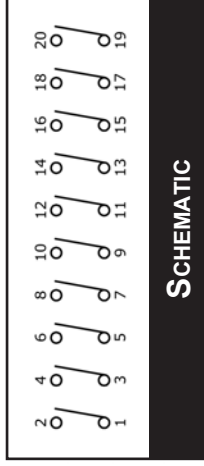
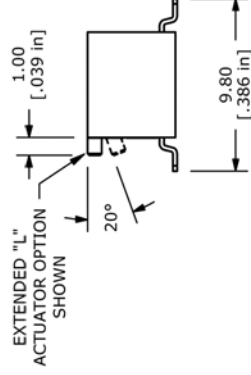
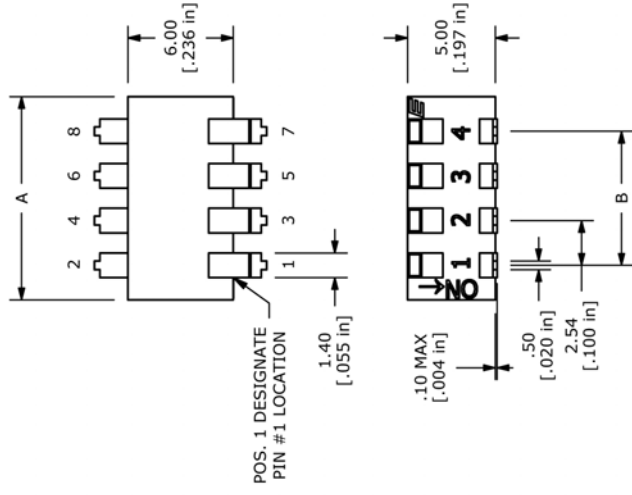
SPLAYED PIN TERMINALS



POSITIONS	DIM A	DIM B
2	6.48 [.255 in]	2.54 [.100 in]
4	11.56 [.455 in]	7.62 [.300 in]
6	16.64 [.655 in]	12.70 [.500 in]
8	21.72 [.855 in]	17.78 [.700 in]
10	26.80 [1.055 in]	22.86 [.900 in]

POSITION CHART

GULLWING TERMINALS



POSITIONS	DIM A	DIM B
2	6.48 [.255 in]	2.54 [.100 in]
4	11.56 [.455 in]	7.62 [.300 in]
6	16.64 [.655 in]	12.70 [.500 in]
8	21.72 [.855 in]	17.78 [.700 in]
10	26.80 [1.055 in]	22.86 [.900 in]

POSITION CHART

