



Chipsmall Limited consists of a professional team with an average of over 10 year of expertise in the distribution of electronic components. Based in Hongkong, we have already established firm and mutual-benefit business relationships with customers from,Europe,America and south Asia,supplying obsolete and hard-to-find components to meet their specific needs.

With the principle of “Quality Parts,Customers Priority,Honest Operation,and Considerate Service”,our business mainly focus on the distribution of electronic components. Line cards we deal with include Microchip,ALPS,ROHM,Xilinx,Pulse,ON,Everlight and Freescale. Main products comprise IC,Modules,Potentiometer,IC Socket,Relay,Connector.Our parts cover such applications as commercial,industrial, and automotives areas.

We are looking forward to setting up business relationship with you and hope to provide you with the best service and solution. Let us make a better world for our industry!



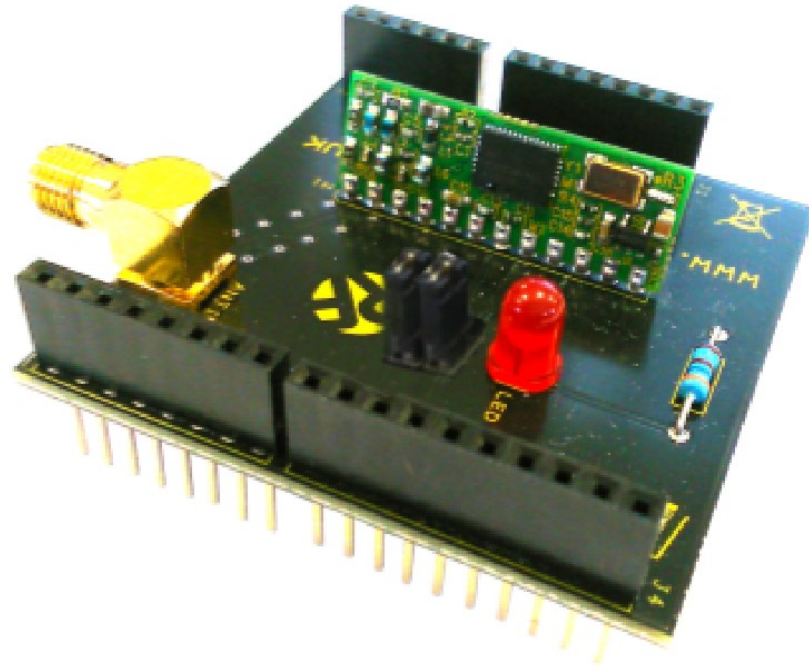
Contact us

Tel: +86-755-8981 8866 Fax: +86-755-8427 6832

Email & Skype: info@chipsmall.com Web: www.chipsmall.com

Address: A1208, Overseas Decoration Building, #122 Zhenhua RD., Futian, Shenzhen, China



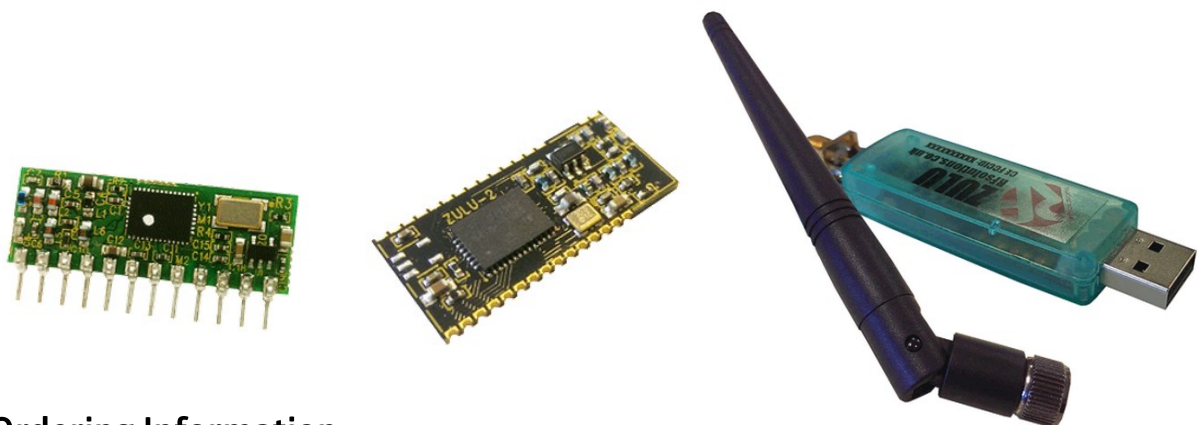


Description

The KAPPAM Arduino shield provides a enables the features of the KAPPAM on Arduino platform. This is available in two versions:

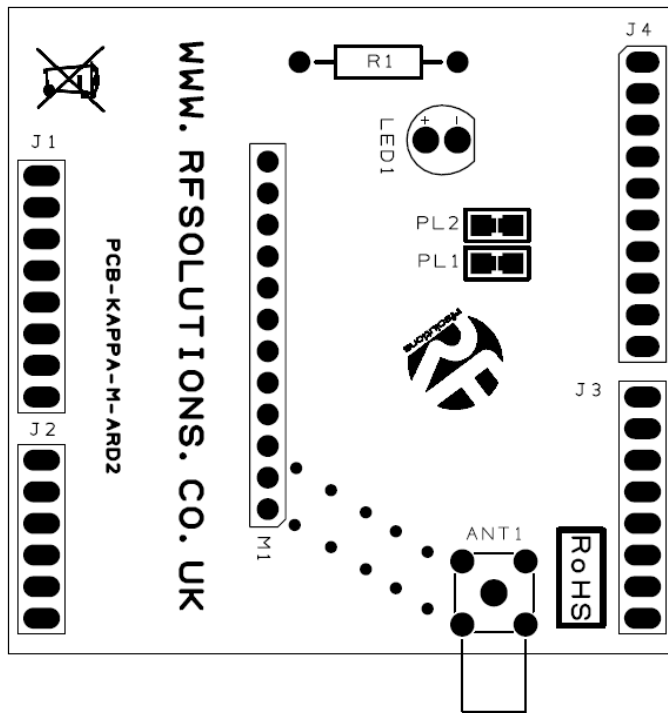
KAPPAM-868

This enables a serial data radio link from Arduino to Arduino and is compatible with other RF Solutions' compatible products. (KAPPAM-M868, ZULU2-M868 and ZULU-DONGLE)



Ordering Information

Part No	Description
KAPPAM-ARD	Arduino Shield with KAPPAM Modem module



Arduino Pin
 Pin4- CTS
 Pin3- RTS
 Pin2-TX
 Pin1- RX

Link	Action	Description
PL 11/12	Open/Closed	TX/RX serial option link to Arduino

Resources / Further Reading

- KAPPA-M datasheet: Containing technical information including; pin description, dimensions and set-up of the KAPPA modem module.
<http://www.rfsolutions.co.uk/acatalog/DS-KAPPA.pdf>
- Build Pack: Containing schematic, Gerbers, Design Spark project file, sample sketch and the BOM for the shield.

Note: Serial link must be removed to program Arduino board

Please go to the page below on our website for our Arduino Uno demo downloads
<http://www.rfsolutions.co.uk/downloads/Arduino.php>

RF Solutions Ltd. Recycling Notice

Meets the following EC Directives:

DO NOT

Discard with normal waste, please recycle.



ROHS Directive 2002/95/EC

Specifies certain limits for hazardous substances.



WEEE Directive 2002/96/EC

Waste electrical & electronic equipment. This product must be disposed of through a licensed WEEE collection point.

RF Solutions Ltd., fulfils its WEEE obligations by membership of an approved compliance scheme.

Waste Batteries and Accumulators Directive 2006/66/EC

Where batteries are fitted, before recycling the product, the batteries must be removed and disposed of at a licensed collection point.

Environment Agency producer registration number:
 WEE/JB0104WV.