



Chipsmall Limited consists of a professional team with an average of over 10 year of expertise in the distribution of electronic components. Based in Hongkong, we have already established firm and mutual-benefit business relationships with customers from,Europe,America and south Asia,supplying obsolete and hard-to-find components to meet their specific needs.

With the principle of “Quality Parts,Customers Priority,Honest Operation,and Considerate Service”,our business mainly focus on the distribution of electronic components. Line cards we deal with include Microchip,ALPS,ROHM,Xilinx,Pulse,ON,Everlight and Freescale. Main products comprise IC,Modules,Potentiometer,IC Socket,Relay,Connector.Our parts cover such applications as commercial,industrial, and automotives areas.

We are looking forward to setting up business relationship with you and hope to provide you with the best service and solution. Let us make a better world for our industry!



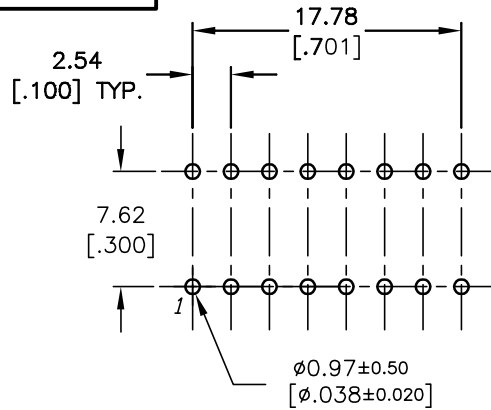
Contact us

Tel: +86-755-8981 8866 Fax: +86-755-8427 6832

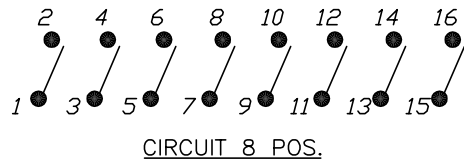
Email & Skype: info@chipsmall.com Web: www.chipsmall.com

Address: A1208, Overseas Decoration Building, #122 Zhenhua RD., Futian, Shenzhen, China



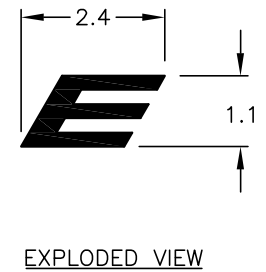
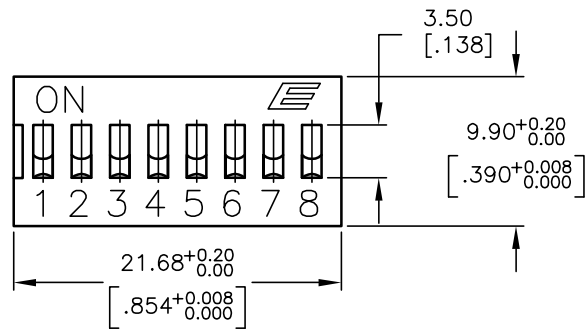


*(Pos. 1 Denotes Pin No. 1)
RECOMMEND P.C.B. LAYOUT

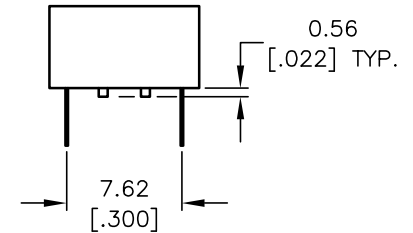
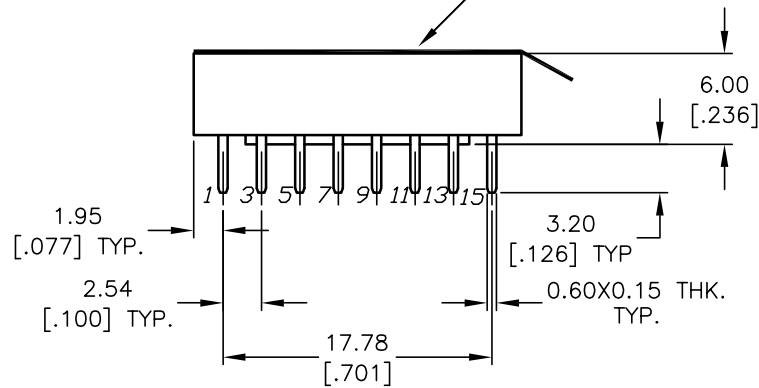


NOTES:

1. ALL DIMENSIONS IN MM [INCH]
2. GENERAL TOLERANCE: X.X=±0.4
X.XX=±0.25
3. TERM. NOS. FOR REFERENCE ONLY.
- ▲ 4. CONTACT RATINGS: 25mA @24VDC. (Switch)
100mA @50VDC. (Carry)
5. CONTACT MATERIAL:
CONTACTS: (MOVABLE) GOLD PLATE
TERMINALS: GOLD PLATE
6. INSULATION RESISTANCE;
100 MEGA-OHMS MIN. @500VDC
7. CONTACT RESISTANCE;
50 MILLI-OHMS TYPICAL @2-4VDC @100mA
8. OPERATING TEMP.;;
-40°C to +80°C
- ▲ 9. PACKAGE: IN DISPENSING TUBES
WITH ALL POLES IN THE "OFF" POSITION.
- ▲ 10. TAPE SEAL FOR FLUX WASH.
11. ▲ DENOTES CRITICAL PARAMETER.



▲
 PEELABLE POLYIMIDE
 TAPE SEAL



E-SWITCH®

TITLE					KAS1108RT									
SCALE	2:1		DATE	10/17/03		DR	AR		DWG	N311081		REV	A	

THE INFORMATION CONTAINED IN THIS DOCUMENT
 IS PROPRIETARY TO E-SWITCH AND IS
 NOT TO BE COPIED OR TRANSFERRED

A	13541	RELEASED FOR PRODUCTION	10/17/03	AR
REV.	ECN No.	DESCRIPTION	DATE	CHKD