



Chipsmall Limited consists of a professional team with an average of over 10 year of expertise in the distribution of electronic components. Based in Hongkong, we have already established firm and mutual-benefit business relationships with customers from,Europe,America and south Asia,supplying obsolete and hard-to-find components to meet their specific needs.

With the principle of "Quality Parts,Customers Priority,Honest Operation,and Considerate Service",our business mainly focus on the distribution of electronic components. Line cards we deal with include Microchip,ALPS,ROHM,Xilinx,Pulse,ON,Everlight and Freescale. Main products comprise IC,Modules,Potentiometer,IC Socket,Relay,Connector.Our parts cover such applications as commercial,industrial, and automotives areas.

We are looking forward to setting up business relationship with you and hope to provide you with the best service and solution. Let us make a better world for our industry!



Contact us

Tel: +86-755-8981 8866 Fax: +86-755-8427 6832

Email & Skype: info@chipsmall.com Web: www.chipsmall.com

Address: A1208, Overseas Decoration Building, #122 Zhenhua RD., Futian, Shenzhen, China



2-4W Wide AC-DC Input PCB-Mount Power Supplies

Features

- ◆ 90 - 305VAC Input Voltage
- ◆ Class II (No ground needed)
- ◆ Wide Temperature Range (-40 to +80°C)
- ◆ Low off-load Power Draw
- ◆ High Efficiency



Key Market Segments & Applications



Specifications			
Model		KAS2	KAS4
Input Voltage Range	-	90-305VAC 47-63Hz or 120-430VDC*	90-305VAC 47-440Hz or 120-430VDC*
Inrush Current Limiting (115 / 230VAC) (1)	A	30 / 50A	15 / 25A
Input Current (115 / 230VAC)	mA	75 / 55mA	110 / 70mA
Off-load Power Draw	W	<0.3W	
Recommended External Fuse	-	3.15 A slow blow type	
Temperature Coefficient	-	±0.02%/°C	
Voltage Set Accuracy	%	±6%	±2%
Minimum Load	-	None	
Overcurrent Protection	-	Hiccup mode, automatic recovery	
Overvoltage Protection	%	No	
Hold-up Time (115 / 230VAC)	ms	>15ms	
Leakage Current (Touch)	mA	<0.25mA at <240VAC	
Operating Temperature	-	-40°C to +80°C, derate linearly to 40% load from 60°C to 80°C	-40°C to +70°C, derate linearly to 40% load from 50°C to 70°C (2)
Storage Temperature	-	-40°C to +85°C	
Humidity	%RH	10% to 95% RH (non-condensing)	
Cooling	-	Convection	
Withstand Voltage	VAC	Input to output: 3kVAC	
Immunity	-	EN55024 (With external varistor L-N rated at 350Vrms maximum, 920V clamp, 0.6W minimum)	
Safety Agency Certification	-	UL/CSA/IEC/EN 60950-1, IEC/EN60335-1 (Designed to meet), CE Mark	
Conducted and Radiated EMI	-	EN55032 Class B	
Weight	g	19.9g	26g
Size (LxWxH)	in (mm)	1.12 x 1.02 x 0.67" 28.5 x 25.8 x 17.0 mm	1.46 x 1.08 x 0.69" 37.0 x 27.5 x 17.5 mm
Mounting & Case	-	PC board mountable. Resin case (UL 94V-0)	
MTBF (MIL-HDBK-217F)	hrs	>450,000 hours	
Warranty	yrs	3 years	

Notes * Safety certified for AC input, 47-63Hz only

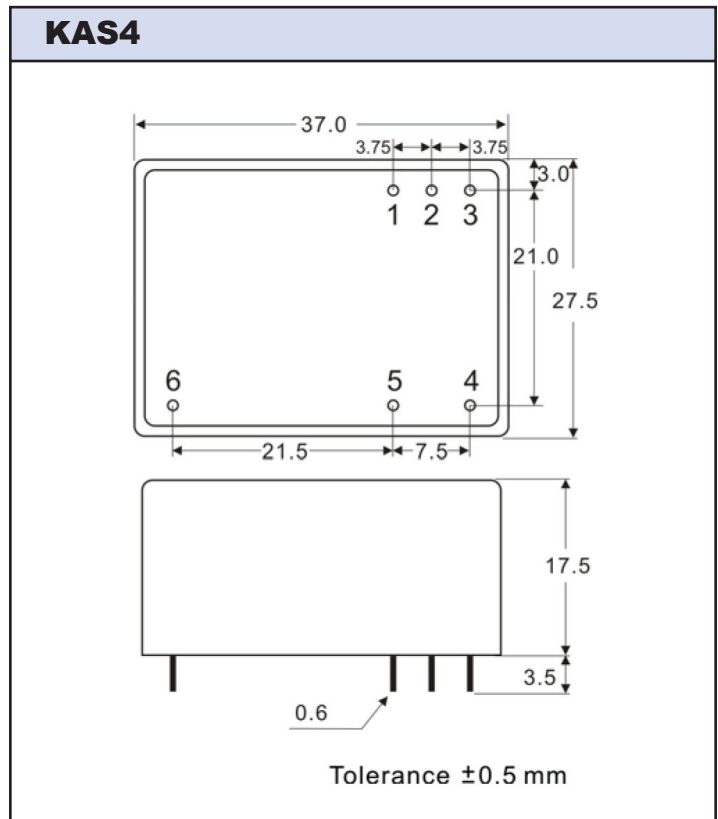
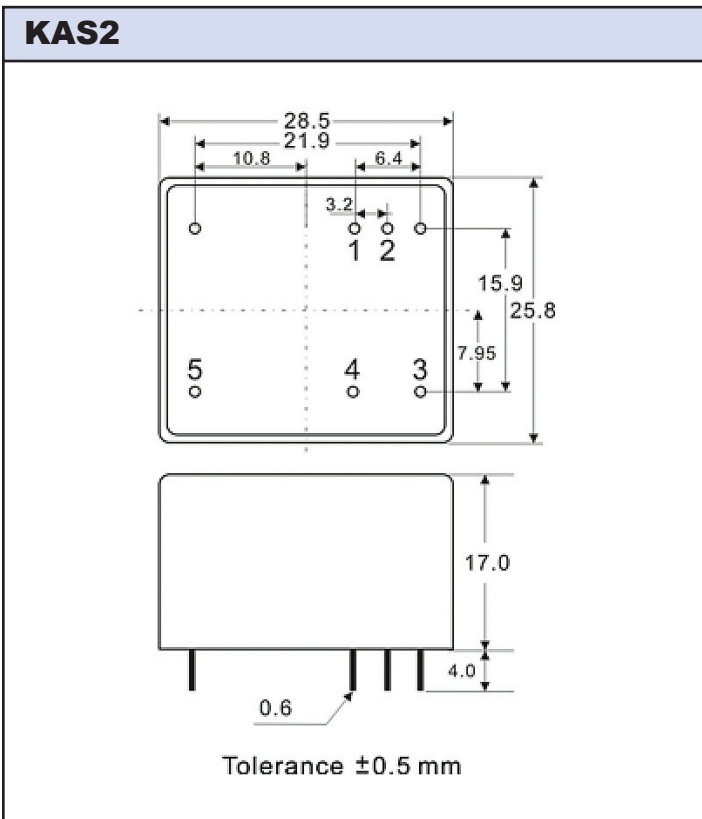
(1) Cold start, 25°C ambient. Requires 10Ω 5A external NTC thermistor

(2) Model dependent, see installation manual for details

Model Selector

Model	Output Voltage (V)	Maximum Current (A)	Power (W)	Output Ripple & Noise (mV)	Line Regulation (mV)	Load Regulation (typ) (3)	Efficiency (%)	Maximum Capacitive Load (µF)
KAS2-3P3	V1 3.3V	0.6A	2W	300mV	±165mV	±198mV	66%	7000
KAS4-3P3	V1 3.3V	1.2A	4W	250mV	±16.5mV	±49.5mV	68%	5000
KAS2-5	V1 5V	0.4A	2W	300mV	±250mV	±300mV	70%	4000
KAS4-5	V1 5V	0.8A	4W	250mV	±25mV	±75mV	72%	4200
KAS4-8	V1 8V	0.5A	4W	200mV	±40mV	±120mV	74%	1470
KAS2-9	V1 9V	0.22A	2W	300mV	±450mV	±540mV	73%	1200
KAS4-9	V1 9V	0.444A	4W	200mV	±45mV	±135mV	75%	1330
KAS2-12	V1 12V	0.167A	2W	300mV	±600mV	±720mV	73%	500
KAS4-12	V1 12V	0.333A	4W	150mV	±24mV	±60mV	76%	680
KAS4-14	V1 14V	0.286A	4W	150mV	±28mV	±70mV	76%	470
KAS2-15	V1 15V	0.133A	2W	300mV	±750mV	±900mV	73%	350
KAS4-15	V1 15V	0.267A	4W	100mV	±30mV	±75mV	76%	330
KAS2-24	V1 24V	0.083A	2W	300mV	±1200mV	±1440mV	75%	110
KAS4-24	V1 24V	0.167A	4W	100mV	±48mV	±120mV	77%	120

Notes: (3) KAS2 10-100% load change



Pinout

PIN #	KAS2	KAS4
1	+Vout	+Vout
2	-Vout	-Vout
3	Neutral	Not connected
4	Line	Line
5	Not connected	Neutral
6	-	Not connected

For Additional Information, please visit us.tdk-lambda.com/lp/products/kas-series.htm

