



Chipsmall Limited consists of a professional team with an average of over 10 year of expertise in the distribution of electronic components. Based in Hongkong, we have already established firm and mutual-benefit business relationships with customers from,Europe,America and south Asia,supplying obsolete and hard-to-find components to meet their specific needs.

With the principle of “Quality Parts,Customers Priority,Honest Operation,and Considerate Service”,our business mainly focus on the distribution of electronic components. Line cards we deal with include Microchip,ALPS,ROHM,Xilinx,Pulse,ON,Everlight and Freescale. Main products comprise IC,Modules,Potentiometer,IC Socket,Relay,Connector.Our parts cover such applications as commercial,industrial, and automotives areas.

We are looking forward to setting up business relationship with you and hope to provide you with the best service and solution. Let us make a better world for our industry!



Contact us

Tel: +86-755-8981 8866 Fax: +86-755-8427 6832

Email & Skype: info@chipsmall.com Web: www.chipsmall.com

Address: A1208, Overseas Decoration Building, #122 Zhenhua RD., Futian, Shenzhen, China



4

3

2

1

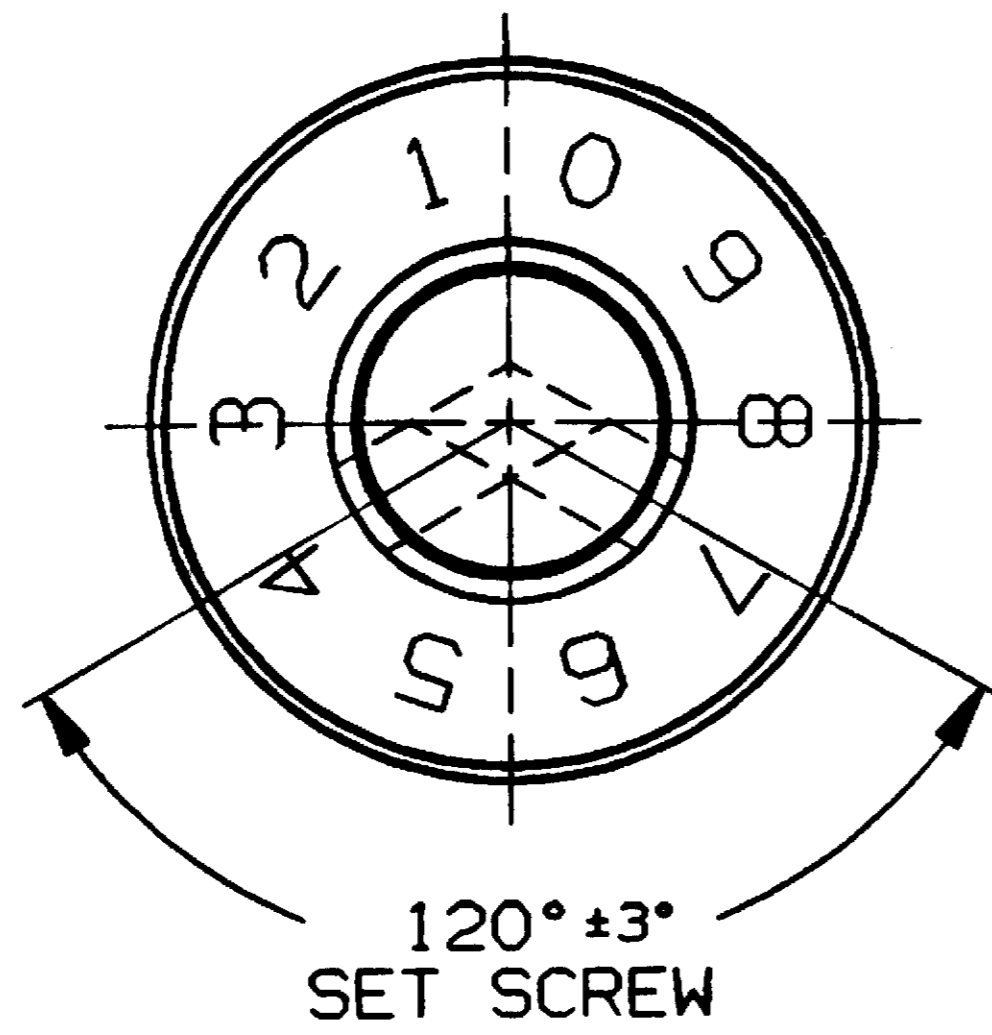
CONVERSION CHART	
INCH	MM
.003	0.08
.004	0.10
.008	0.20
.012	0.30
.015	0.38
.02	0.5
.020	0.51
.157	3.98
.059	1.50
.126	3.20
.157	3.99
.158	4.01
.630	16.00
.236	5.99
.251	6.38
.314	7.98
.393	9.98
.433	11.00
.500	12.7
.631	16.03
2.520	57.15
.708	17.98
.826	20.98
.950	24.13
1.000	25.4

SPECIFICATIONS:

MATERIALS:
MATERIAL: ALUMINUM.
FINISH: SEE NOTE 2.

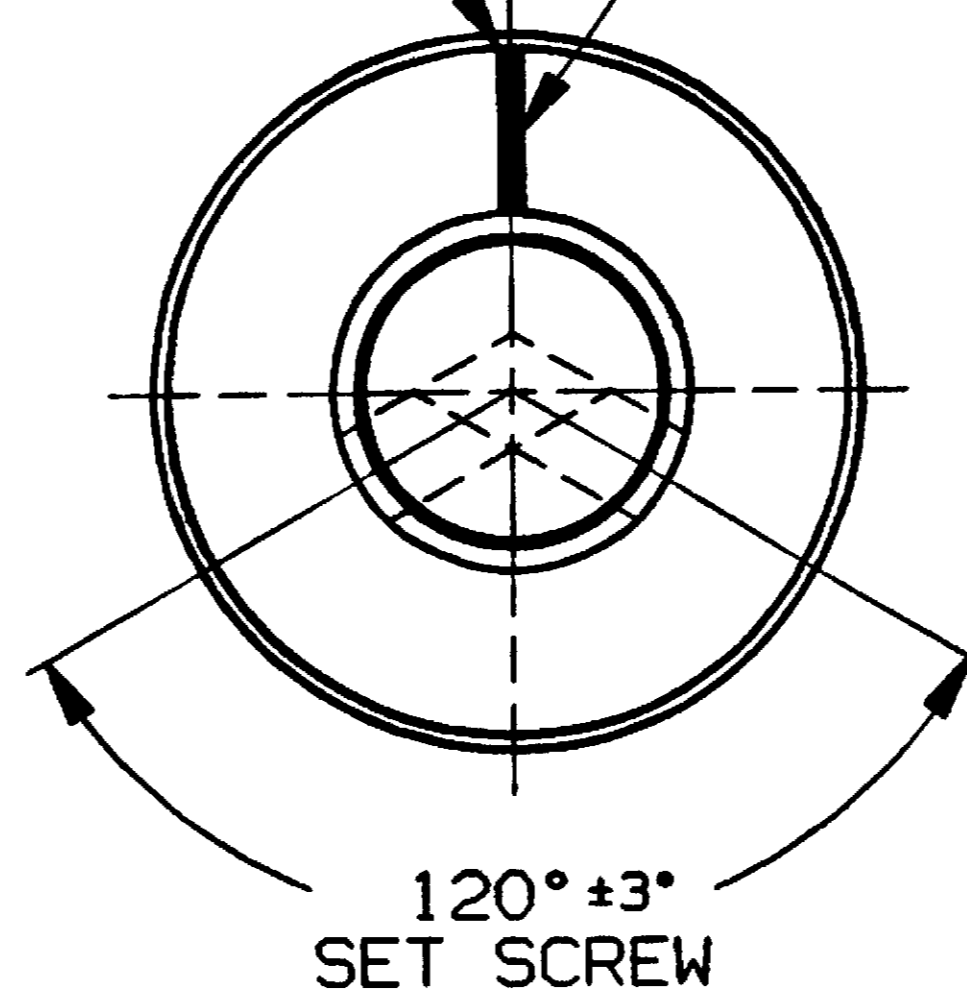
NOTES:

1. INTERPRET DRAWING PER ASME Y14.5M-1994.
2. FINISH ADD SUFFIX "A" TO MODEL NO. FOR NATURAL ALUMINUM BODY WITH BLACK INDICATOR LINE, ADD SUFFIX "B" TO MODEL NO. FOR BLACK ANODIZED BODY WITH WHITE INDICATOR LINE.

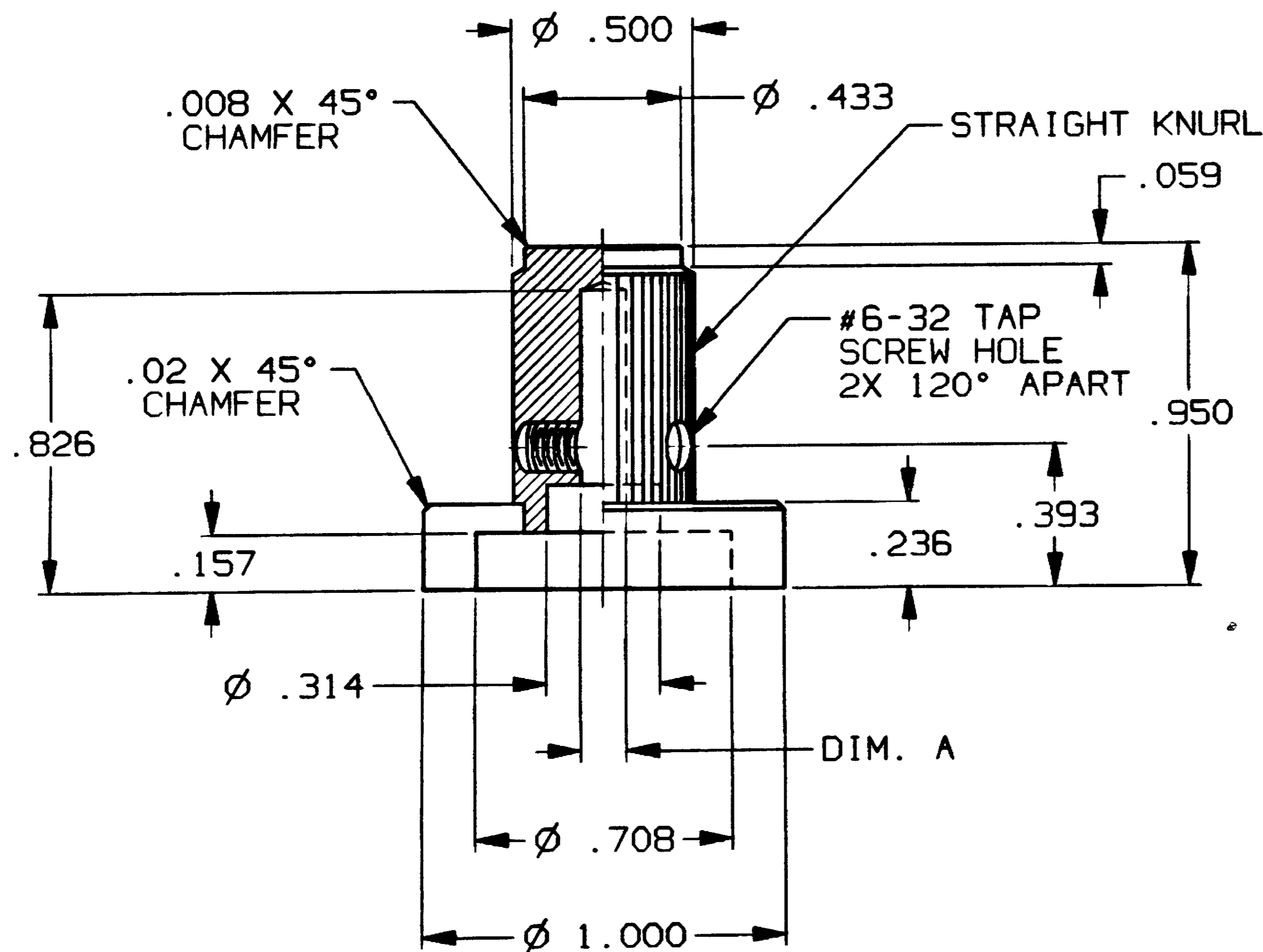


KBS-500-10

DIE STAMPED FILLED WITH LACQUER
INDICATOR LINE .031W X .012D
SEE NOTE 2



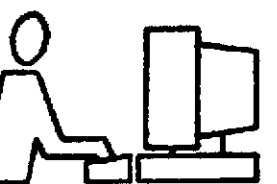
KBS-500



SHAFT HOLE DIA. DIM. A	
1/4	.251 ^{+.003} _{-.000}
1/8	.126 ^{+.003} _{-.000}

OUTLINE DRAWING
SPECIFICATIONS ARE SUBJECT TO CHANGES WITHOUT NOTICE

THIS IS A C.A.D. GENERATED DRAWING.
DO NOT MAKE MANUAL REVISIONS TO MASTER.



REV	DESCRIPTION	DATE
0	INITIAL RELEASE ESR#7067 SEK 11-15-95 APP'D: [Signature]	11-15-95

THIRD ANGLE PROJECTION

TOLERANCES (EXCEPT AS NOTED)
ANGULAR = ±3°
DECIMAL .XX = ±
DECIMAL .XXX = ±.015
DECIMAL .XXXX = ±

AUGAT CONFIDENTIAL
This document contains information which is the exclusive property of Augat Inc. Distribution, reproduction or use by others is not permitted without the expressed written consent of Augat Inc.

UNLESS OTHERWISE SPECIFIED DIMENSIONS ARE IN INCHES DO NOT SCALE PRINT

FILE NAME: 80248OUT DIRECTORY: KNOBS

MATERIAL: SEE SPECIFICATIONS

FINISH: SEE SPECIFICATIONS

ORIGINAL DATE OF DRAWING: 11-15-95

DRAWN: S.KIRCORIAN DATE: 11-15-95

CHECKED: DATE:

APPROVED: [Signature] DATE: 11-15-95

CODE IDENT. NO. 91506 DWG. SIZE C

NEXT ASSY:

AUGAT 452 JOHN DIETSCH BLVD.
ATTLEBORO FALLS, MASS. 02763
INC.

TITLE: **OUTLINE DRAWING**
KNOB
(KBS-500)

DWG. NO. 80248-SD REV. 0

PRODUCT CODE: M11

SCALE: 2:1 SHEET 1 OF 1

4

3

2

1