



Chipsmall Limited consists of a professional team with an average of over 10 year of expertise in the distribution of electronic components. Based in Hongkong, we have already established firm and mutual-benefit business relationships with customers from,Europe,America and south Asia,supplying obsolete and hard-to-find components to meet their specific needs.

With the principle of “Quality Parts,Customers Priority,Honest Operation,and Considerate Service”,our business mainly focus on the distribution of electronic components. Line cards we deal with include Microchip,ALPS,ROHM,Xilinx,Pulse,ON,Everlight and Freescale. Main products comprise IC,Modules,Potentiometer,IC Socket,Relay,Connector.Our parts cover such applications as commercial,industrial, and automotives areas.

We are looking forward to setting up business relationship with you and hope to provide you with the best service and solution. Let us make a better world for our industry!



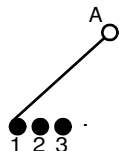
## Contact us

Tel: +86-755-8981 8866 Fax: +86-755-8427 6832

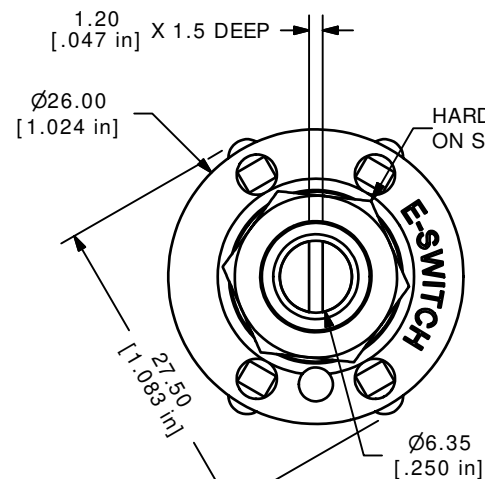
Email & Skype: info@chipsmall.com Web: www.chipsmall.com

Address: A1208, Overseas Decoration Building, #122 Zhenhua RD., Futian, Shenzhen, China

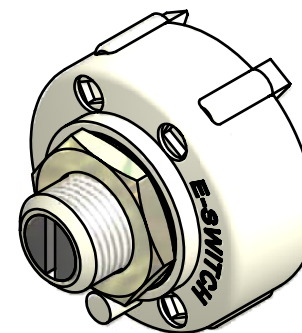
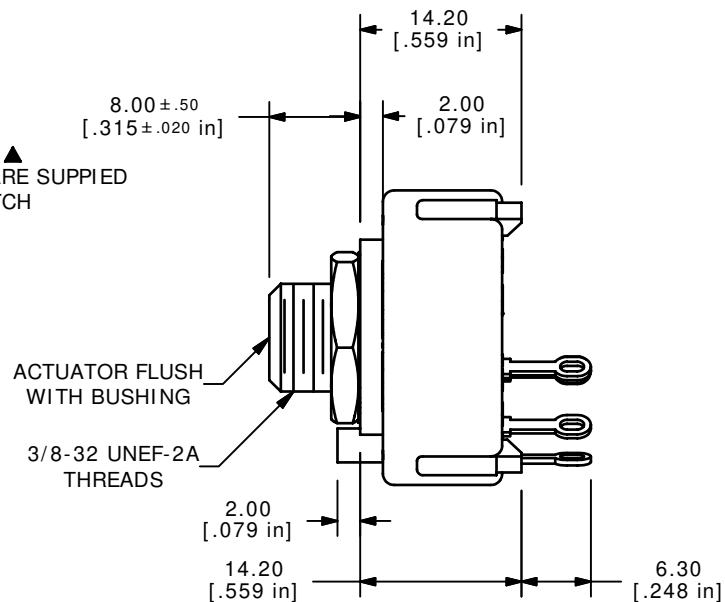




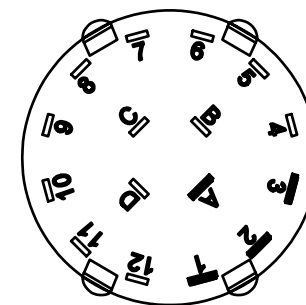
CONTACT CONFIGURATION  
TIMING (BBM) NON-SHORTING



▲  
HARDWARE SUPPLIED  
ON SWITCH



ISOMETRIC



NOTE:

1. ALL DIMENSIONS IN MM[INCH].
2. GENERAL TOLERANCE: X.X= ± 0.4  
X.XX= ± 0.25
3. TERM. NOS. FOR REFERENCE ONLY.
4. CONTACT MATERIAL: SILVER
5. CONTACT RATING: 0.3A @ 125VAC
6. OPERATING FORCE 425± 100CM/STANDARD
7. OPERATING TEMP: -30°C TO 85°C
- ▲8. CIRCUIT SP: 3 POSITION 30° INDEX.
9. DIELECTRIC STRENGTH: 1000V RMS MIN.@ SEA LEVEL.
- ▲10. HARDWARE SUPPLIED ON SWITCH:  
LOCKWASHER, HEXNUT, STOP RING
11. ▲ DENOTES CRITICAL PARAMETER.
12. 2002/95/EC (ROHS) COMPLIANT

**E-SWITCH®**

B	16982	FIXED CONTACT CONFIG. DIAGRAM	2/8/2007	TN
A	16958	RELEASED FOR PRODUCTION	2/8/07	TN
REV	PCR NO	DESCRIPTION	DATE	BY

TITLE KC13D0.001NLS				
SCALE	DATE	DR	DWG	REV
1.5:1	2/8/2007	TN	G527965	B

THE INFORMATION CONTAINED IN THIS DOCUMENT IS PROPRIETARY TO E-SWITCH AND IS NOT TO BE COPIED OR TRANSFERRED