



Chipsmall Limited consists of a professional team with an average of over 10 year of expertise in the distribution of electronic components. Based in Hongkong, we have already established firm and mutual-benefit business relationships with customers from,Europe,America and south Asia,supplying obsolete and hard-to-find components to meet their specific needs.

With the principle of “Quality Parts,Customers Priority,Honest Operation,and Considerate Service”,our business mainly focus on the distribution of electronic components. Line cards we deal with include Microchip,ALPS,ROHM,Xilinx,Pulse,ON,Everlight and Freescale. Main products comprise IC,Modules,Potentiometer,IC Socket,Relay,Connector.Our parts cover such applications as commercial,industrial, and automotives areas.

We are looking forward to setting up business relationship with you and hope to provide you with the best service and solution. Let us make a better world for our industry!



Contact us

Tel: +86-755-8981 8866 Fax: +86-755-8427 6832

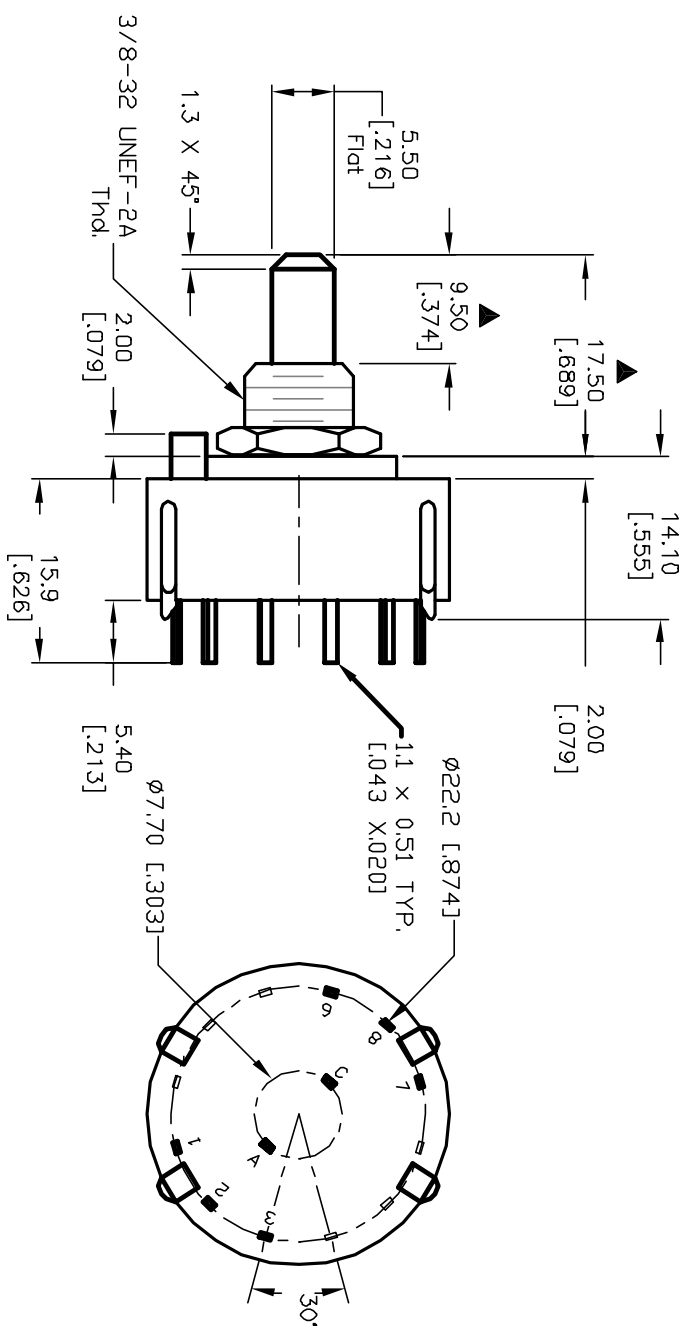
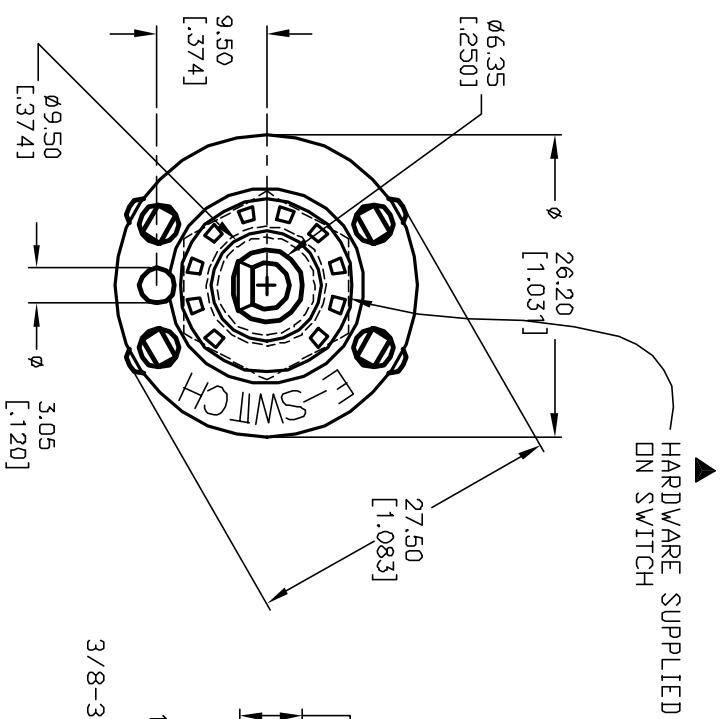
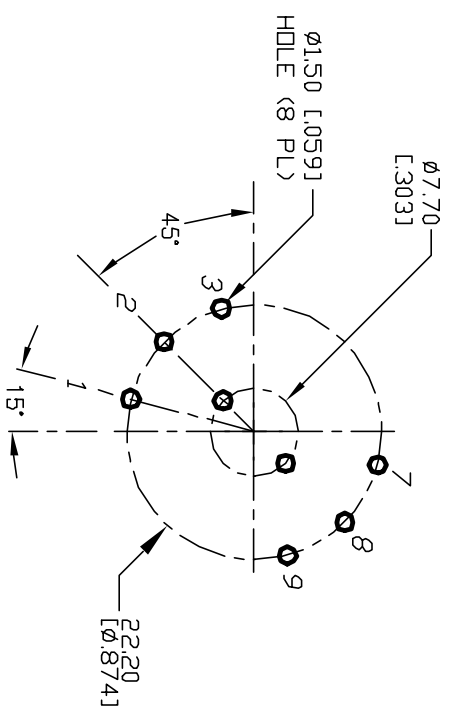
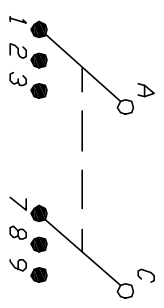
Email & Skype: info@chipsmall.com Web: www.chipsmall.com

Address: A1208, Overseas Decoration Building, #122 Zhenhua RD., Futian, Shenzhen, China



NOTES:

1. ALL DIMENSION IN MM [INCH]
2. GENERAL TOLERANCE: X.X=±0.4
X.XX=±0.25
3. TERM. NOS. FOR REF. ONLY.
4. CONTACT RATING SWITCHING: 150mA, 250V AC/DC
350mA, 110V AC/DC
5. CONTACT RATING (NON-SWITCHING) 5A
6. CONTACT MATERIAL: SILVER OVER COPPER ALLOY
7. OPERATING FORCE: 425±100 CM/STANDARD
8. OPERATING TEMP: -30° to 85°C
9. CIRCUIT DP: 3 POSITIONS, 30° INDEX.
10. TIMING: BBM (Non-Shorting) Break Before Make
11. DIELECTRIC STRENGTH 1000V RMS min. @ SEA LEVEL
12. DESIGNATE MAJOR DIMENSIONS
13. HARDWARE SUPPLIED ON SWITCH - SEE BELOW
STOPPING, LOCKWASHER, & HEXNUT



C	12871	REVISED NOTE 13	3/4/03	CJB	TITLE			SCALE	DATE	DR	DWG	REV
B	12424	REV DESC. PER NEW CATALOG	9/16/02	CJB	KC-23-A (9.5mm)-01-N-P-S			1.5:1	5/30/01	CJB	G510200	C
A	11492	RELEASED FOR PRODUCTION	5/30/01	CJB								
REV.	ECN No.	DESCRIPTION	DATE	CHKD								

THE INFORMATION CONTAINED IN THIS DOCUMENT IS PROPRIETARY TO E-SWITCH AND IS NOT TO BE COPIED OR TRANSFERRED

E-SWITCH®