



Chipsmall Limited consists of a professional team with an average of over 10 year of expertise in the distribution of electronic components. Based in Hongkong, we have already established firm and mutual-benefit business relationships with customers from,Europe,America and south Asia,supplying obsolete and hard-to-find components to meet their specific needs.

With the principle of “Quality Parts,Customers Priority,Honest Operation,and Considerate Service”,our business mainly focus on the distribution of electronic components. Line cards we deal with include Microchip,ALPS,ROHM,Xilinx,Pulse,ON,Everlight and Freescale. Main products comprise IC,Modules,Potentiometer,IC Socket,Relay,Connector.Our parts cover such applications as commercial,industrial, and automotives areas.

We are looking forward to setting up business relationship with you and hope to provide you with the best service and solution. Let us make a better world for our industry!



## Contact us

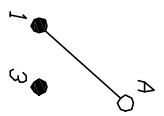
Tel: +86-755-8981 8866 Fax: +86-755-8427 6832

Email & Skype: info@chipsmall.com Web: www.chipsmall.com

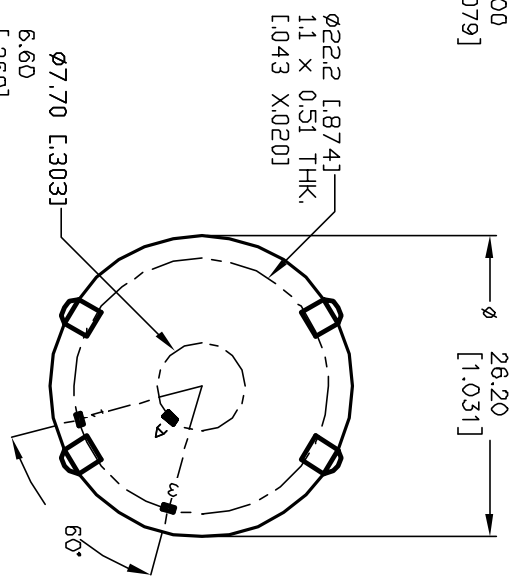
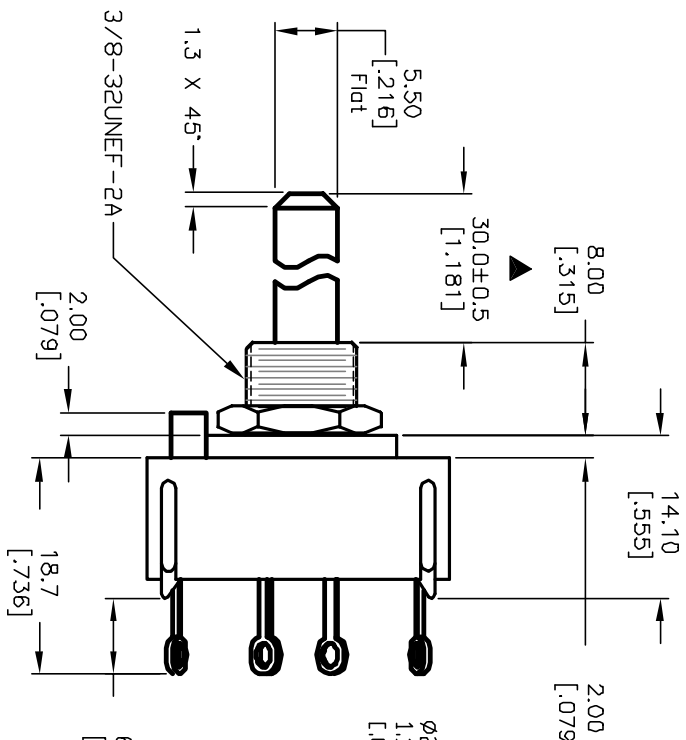
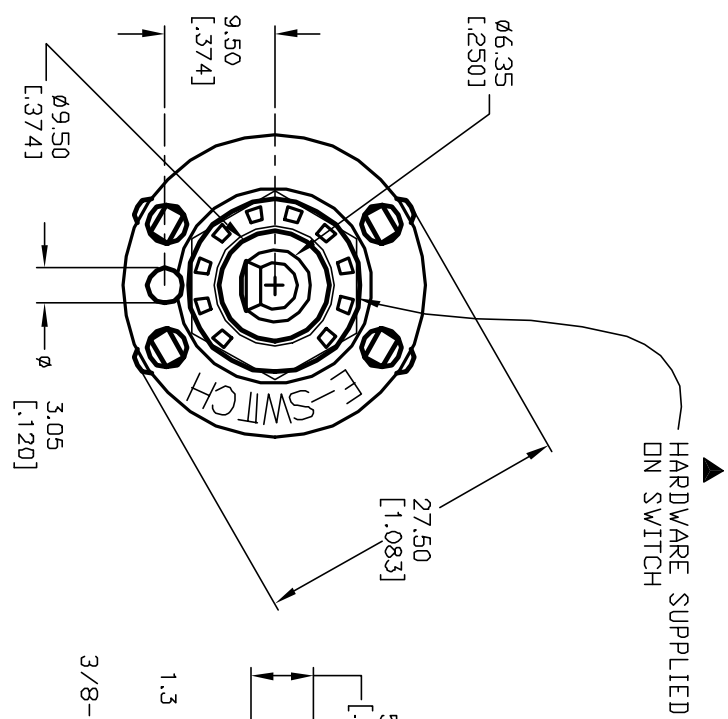
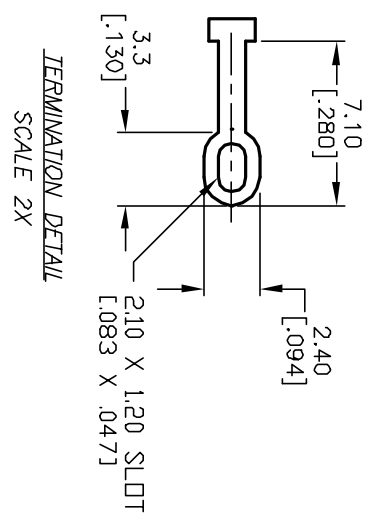
Address: A1208, Overseas Decoration Building, #122 Zhenhua RD., Futian, Shenzhen, China



- NOTES:
1. ALL DIMENSION IN MM [INCH]
  2. GENERAL TOLERANCE: X.X=±0.4  
X.XX=±0.25
  3. TERM. NOS. FOR REF. ONLY
  4. CONTACT RATING SWITCHING: 150mA, 250V AC/DC  
350mA, 110V AC/DC
  5. CONTACT RATING (NON-SWITCHING) 5A
  6. OPERATING FORCE: 425±100 CM/STANDARD
  7. OPERATING TEMP: -30° to 85°C
  8. CIRCUIT SP: 2 POSITIONS, 60° INDEX.
  9. DIELECTRIC STRENGTH 1000V RMS min. @ SEA LEVEL
  10. DESIGNATE MAJOR DIMENSIONS
  11. HARDWARE SUPPLIED ON SWITCH - SEE BELOW  
STOP RING, LOCKWASHER, & HEXNUT



CONTACT CONFIGURATION  
TIMING: (BBM) Non-Shorting



B		TITLE		SCALE		DATE		DR		DWG		REV	
A	12855	RELEASED FOR PRODUCTION	2/27/03	CJB	1.5:1	2/27/03	CJB	DWG	G527551	A			
REV.	ECN No.	DESCRIPTION	DATE	CHKD									
<p>THE INFORMATION CONTAINED IN THIS DOCUMENT IS PROPRIETARY TO E-SWITCH AND IS NOT TO BE COPIED OR TRANSFERRED</p>													
<h1>E-SWITCH®</h1>													
<p>KC-53-A-(30.0mm) 01-N-L-S</p>													