



Chipsmall Limited consists of a professional team with an average of over 10 year of expertise in the distribution of electronic components. Based in Hongkong, we have already established firm and mutual-benefit business relationships with customers from,Europe,America and south Asia,supplying obsolete and hard-to-find components to meet their specific needs.

With the principle of “Quality Parts,Customers Priority,Honest Operation,and Considerate Service”,our business mainly focus on the distribution of electronic components. Line cards we deal with include Microchip,ALPS,ROHM,Xilinx,Pulse,ON,Everlight and Freescale. Main products comprise IC,Modules,Potentiometer,IC Socket,Relay,Connector.Our parts cover such applications as commercial,industrial, and automotives areas.

We are looking forward to setting up business relationship with you and hope to provide you with the best service and solution. Let us make a better world for our industry!



Contact us

Tel: +86-755-8981 8866 Fax: +86-755-8427 6832

Email & Skype: info@chipsmall.com Web: www.chipsmall.com

Address: A1208, Overseas Decoration Building, #122 Zhenhua RD., Futian, Shenzhen, China



SERIES KC SWITCHES

ROTARY SWITCHES



FEATURES & BENEFITS

- ▶ 1 to 4 poles
- ▶ 1 to 12 positions
- ▶ No stop option

APPLICATIONS/MARKETS

- ▶ Industrial controls
- ▶ Test & instrumentation
- ▶ Appliance
- ▶ HVAC

SPECIFICATIONS

| | |
|------------------------|-------------------------------|
| Ratings: | 350 mA @ 125 VAC |
| | 150 mA @ 250 VAC |
| Life Expectancy: | 10,000 cycles typical |
| Contact Resistance: | 25mΩ initial @ 2-4 VDC, 100mA |
| Dielectric Strength: | 1,500 max V rms at sea level |
| Insulation Resistance: | 100MΩ min. |
| Operating Force: | 8.6 N/cm |

MATERIALS

| | |
|-----------------------|--|
| Housing, Base, Shaft: | Glass filled nylon |
| Contact: | Silver plated copper alloy Gold flash over silver plate |
| Hardware: | Nut-Zinc, nickel plated Lockwasher-Steel, zinc plated Stop ring-Brass, nickel plated |

HOW TO ORDER

| SERIES | MODEL NO. | ACTUATOR | ACTUATOR LENGTH | BUSHING | TIMING | TERMINATION | CONTACT MATERIAL |
|--------|-------------------------|--------------------------------|---------------------------|-----------|---------------------------|--------------------------|------------------|
| KC | See Model Options Table | A=Flat B=Round D=Slotted | See Actuator Option Chart | 01 02* | N=Non-Short S=Shorting | P=PC Pin L=Solder Lug | S F |

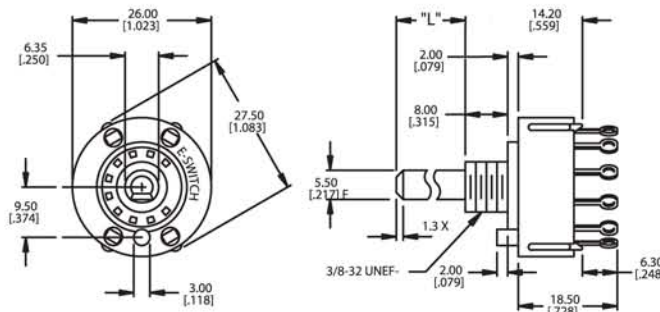
▶ ▶ ▶ Example Ordering Number
KC-13-B-7.0-02-N-L-S

* Not available with #10 model.

Specifications subject to change without notice.

KC

GENERAL INFORMATION



MODEL NUMBER OPTIONS

| (SP Models) | | |
|-------------|-------------------|----------------|
| Model | Sw. Func. | Terms |
| 10 | 12-pos.-No stops | A, 1-12 |
| 11 | ST | A, 2* |
| 12 | DT | A, 1,2* |
| 13 | 3 pos. | A, 1-3* |
| 14 | 4 pos. | A, 1-4* |
| 15 | 5 pos. | A, 1-5* |
| 16 | 6 pos. | A, 1-6* |
| 17 | 7 pos. | A, 1-7 |
| 18 | 8 pos. | A, 1-8 |
| 19 | 9 pos. | A, 1-9 |
| 50 | 10 pos. | A, 1-10 |
| 51 | 11 pos. | A, 1-11 |
| 52 | 12 pos. | A, 1-12 |
| 53 | 2 pos. -60° index | A, 1,3* |
| 54 | 2 pos. -90° index | A, 1,4* |
| 55 | 3 pos. -60° index | A, 1,3,5* |
| 56 | 3 pos. -90° index | A, 1,4,7 |
| 57 | 4 pos. -60° index | A,1,3,5,7 |
| 58 | 4 pos. -90° index | A,1,4,7,10** |
| 59 | 5 pos. -60° index | A,1,3,5,7,9 |
| 60 | 6 pos. -60° index | A,1,3,5,7,9,11 |

| (DP Models) | | |
|-------------|------------------|------------------|
| Model | Sw. Func. | Terms |
| 20 | 6-pos.-No stops | A,C,1-12 |
| 21 | ST | A, C,2,8 |
| 22 | DT | A,C,1,2,7,8 |
| 23 | 3 pos. | A,C 1-3, 7-9 |
| 24 | 4 pos. | A,C,1-4,7-10 |
| 25 | 5 pos. | A,C,1-5, 7-11 |
| 26 | 6 pos. | A,C,1-12 |
| 70 | 2 pos. 60° index | A,C,1,3,7,9 |
| 71 | 2 pos. 90° index | A,C,1,4,7,10 |
| 72 | 2 pos. 60° index | A,C,1,3,5,7,9,11 |

* Note: Switches with P terminations (PC pins) have additional terminal no. 9 as switch support only. This terminal is not connected electrically inside switch.

** Note: Standard with stops

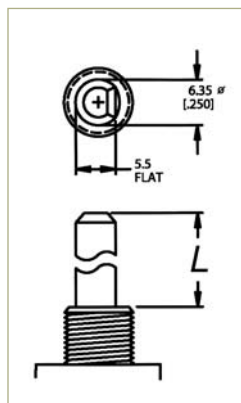
All models 30° indexing unless otherwise noted.

| (3P Models) | | |
|-------------|------------------|--------------------|
| Model | Sw. Func. | Terms |
| 30 | 4-pos.-No stops | A,B,C,1-12 |
| 31 | ST | A,B,C,2,6,10 |
| 32 | DT | A,B,C,1,2,5,6,9,10 |
| 33 | 3 pos. | A,B,C,1-3,5-7,9-11 |
| 34 | 4 pos. | A,B,C,1-12 |
| 80 | 2 pos. 60° index | A,B,C,1,3,5,7,9,11 |
| 81 | 2 pos. 90° index | A,B,C,1,4,5,8,9,12 |

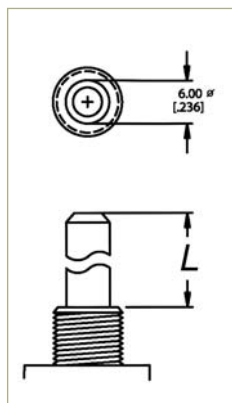
| (4P Models) | | |
|-------------|------------------|---------------------------|
| Model | Sw. Func. | Terms |
| 40 | 3-pos.-No stops | all terms |
| 41 | ST | A,B,C,D,2,5,8,11 |
| 42 | DT | A,B,C,D,1,2,4,5,7,8,10,11 |
| 43 | 3 pos. | all terms |
| 91 | 2 pos. 60° index | A,B,C,D,1,3,4,6,7,9,10,12 |

ACTUATOR OPTIONS

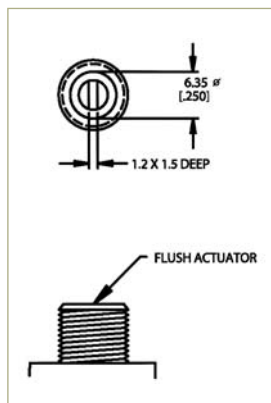
A FLAT



B ROUND



D SLOTTED

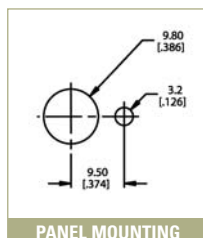
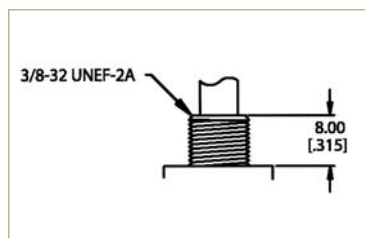


| Actuator | Available Actuator Lengths (mm) | | | | | |
|----------|---------------------------------|------|-----|-----|------|------|
| A | 30.0 | 38.0 | 9.5 | 7.0 | 10.0 | 13.0 |
| B | 30.0 | 10.0 | 7.0 | | | |
| D | 0.0 | | | | | |

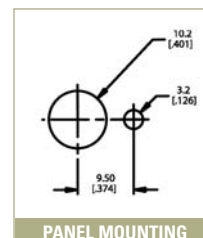
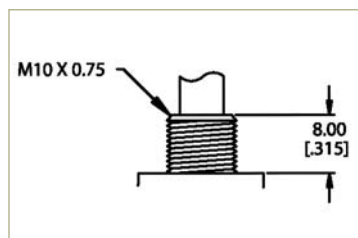
*All actuators shown in Pos. 1, fully CCW.

BUSHING OPTIONS

01 STANDARD



02 METRIC



SERIES KC SWITCHES

ROTARY SWITCHES

TACT SWITCHES

NAVIGATION SWITCHES

PUSHBUTTON SWITCHES

TOGGLE SWITCHES

ROCKER SWITCHES

SLIDE SWITCHES

SNAP-ACTION SWITCHES

DIP SWITCHES

KEYLOCK SWITCHES

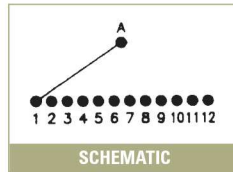
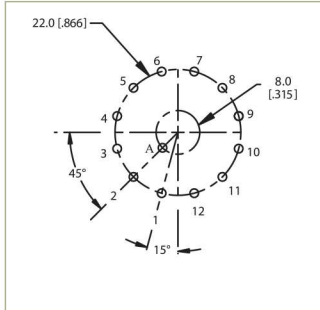
ROTARY SWITCHES

DETECTOR SWITCHES

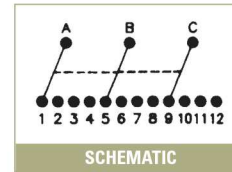
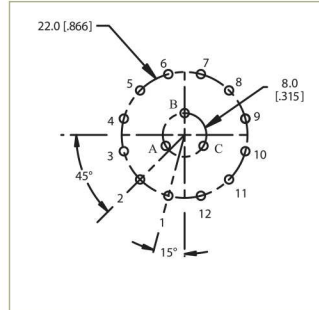
CAP OPTIONS

SCHEMATICS AND PC MOUNTING

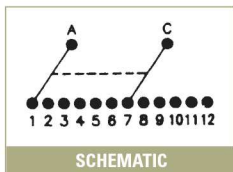
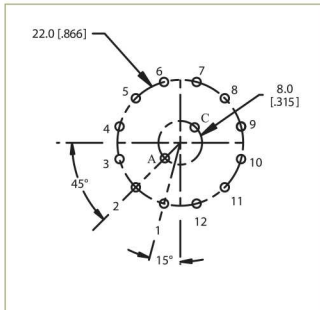
SP 1 POLE, 12 POSITIONS



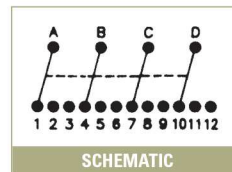
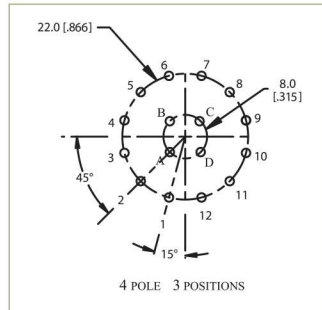
3P 3 POLE, 4 POSITIONS



DP 2 POLE, 6 POSITION



4P 4 POLE, 3 POSITIONS



TIMING OPTIONS

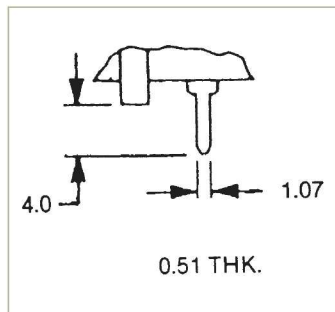
N= (STD.) Non-shorting – break before make

S = Shorting – make before break

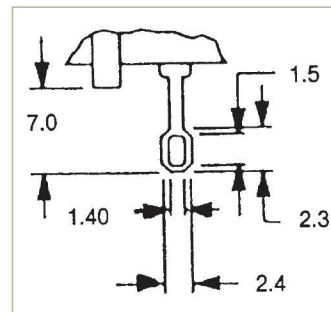
Note: (S) shorting contacts available only with 30° indexing

TERMINATION OPTIONS

P PC PIN



L SOLDER LUG



CONTACT MATERIAL OPTIONS

S = Standard Silver over copper alloy

F = Gold Flash over silver plate over copper alloy