



Chipsmall Limited consists of a professional team with an average of over 10 year of expertise in the distribution of electronic components. Based in Hongkong, we have already established firm and mutual-benefit business relationships with customers from,Europe,America and south Asia,supplying obsolete and hard-to-find components to meet their specific needs.

With the principle of “Quality Parts,Customers Priority,Honest Operation,and Considerate Service”,our business mainly focus on the distribution of electronic components. Line cards we deal with include Microchip,ALPS,ROHM,Xilinx,Pulse,ON,Everlight and Freescale. Main products comprise IC,Modules,Potentiometer,IC Socket,Relay,Connector.Our parts cover such applications as commercial,industrial, and automotives areas.

We are looking forward to setting up business relationship with you and hope to provide you with the best service and solution. Let us make a better world for our industry!



## Contact us

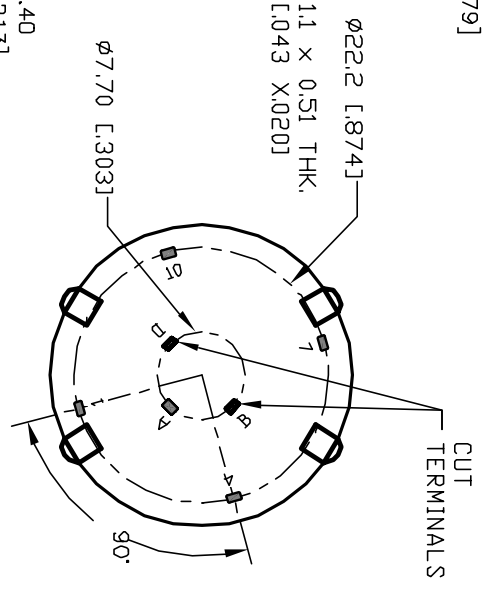
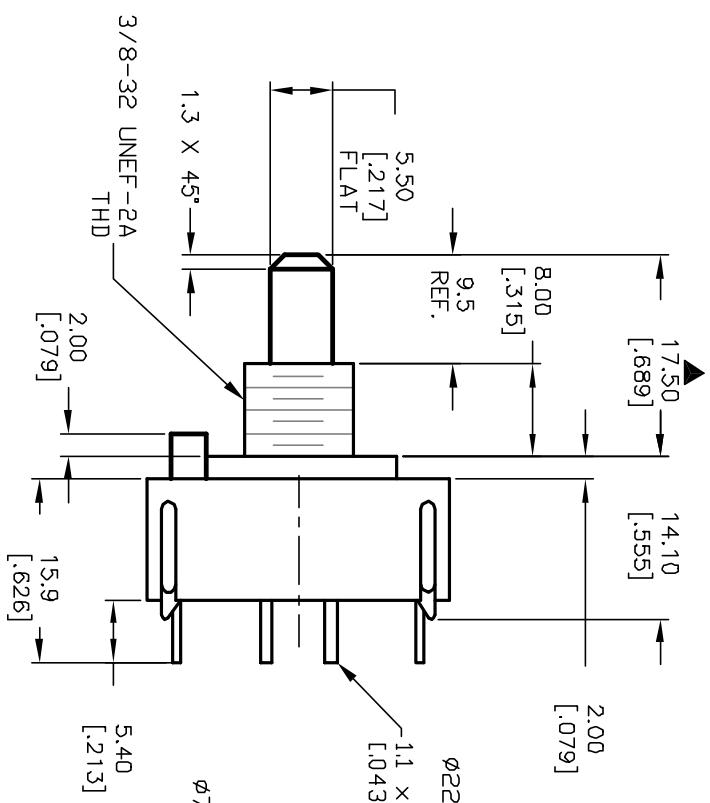
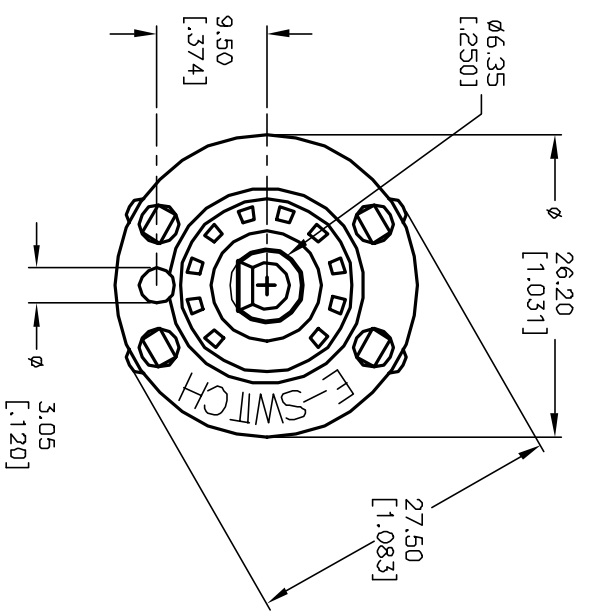
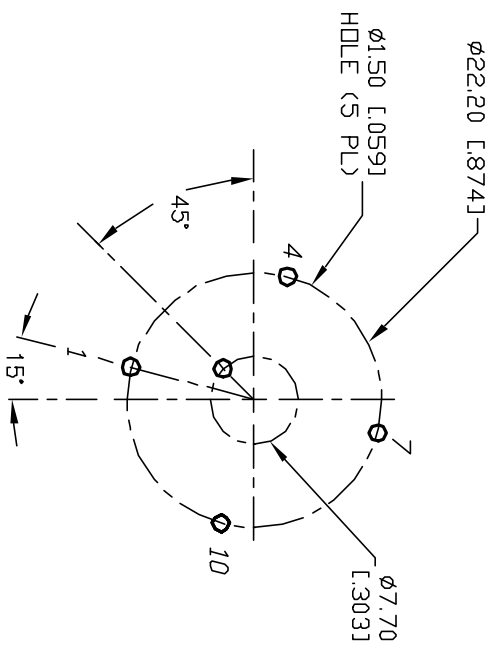
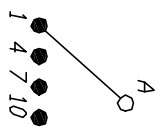
Tel: +86-755-8981 8866 Fax: +86-755-8427 6832

Email & Skype: info@chipsmall.com Web: www.chipsmall.com

Address: A1208, Overseas Decoration Building, #122 Zhenhua RD., Futian, Shenzhen, China



- NOTES:
1. ALL DIMENSION IN MM [INCH]
  2. GENERAL TOLERANCE: X.X=±0.4  
X.XX=±0.25
  3. TERM. NOS. FOR REF. ONLY
  4. CONTACT RATING SWITCHING: 150mA, 250V AC/DC  
350mA, 110V AC/DC
  5. CONTACT RATING (NON-SWITCHING) 5A
  6. OPERATING FORCE: 425±100 CM/STANDARD
  7. OPERATING TEMP: -30° to 85°C
  - ▲ 8. CIRCUIT SP: 4 POSITIONS, 90° INDEX.
  - ▲ 9. DIELECTRIC STRENGTH 1000V RMS min. @ SEA LEVEL
  - ▲ 10. DESIGNATE MAJOR DIMENSIONS
  - ▲ 11. SUPPLIED LOCK NUT AND WASHER (NOT SHOWN).



B	12434	REV	DESC	PER NEW CATALOG	9/19/02	CJB
A	11294	REV	DESC	RELEASED FOR PRODUCTION	3/13/01	CJB
REV.	ECN No.		DESCRIPTION	DATE		CHKD

TITLE	SCALE	DATE	DR	DWG	REV
KC-58-A (9.5mm)-01-N-P-S (NO STOPS)	1.5:1	3/13/01	CJB	G510987	B

**E-SWITCH®**

THE INFORMATION CONTAINED IN THIS DOCUMENT IS PROPRIETARY TO E-SWITCH AND IS NOT TO BE COPIED OR TRANSFERRED