



Chipsmall Limited consists of a professional team with an average of over 10 year of expertise in the distribution of electronic components. Based in Hongkong, we have already established firm and mutual-benefit business relationships with customers from,Europe,America and south Asia,supplying obsolete and hard-to-find components to meet their specific needs.

With the principle of “Quality Parts,Customers Priority,Honest Operation,and Considerate Service”,our business mainly focus on the distribution of electronic components. Line cards we deal with include Microchip,ALPS,ROHM,Xilinx,Pulse,ON,Everlight and Freescale. Main products comprise IC,Modules,Potentiometer,IC Socket,Relay,Connector.Our parts cover such applications as commercial,industrial, and automotives areas.

We are looking forward to setting up business relationship with you and hope to provide you with the best service and solution. Let us make a better world for our industry!



Contact us

Tel: +86-755-8981 8866 Fax: +86-755-8427 6832

Email & Skype: info@chipsmall.com Web: www.chipsmall.com

Address: A1208, Overseas Decoration Building, #122 Zhenhua RD., Futian, Shenzhen, China



Sealed Rocker Switch

Single Pole

KC Series



Features

- Snap-in mounting
- RoHS compliant
- 100,000 cycles mechanical life
- IP65
- Lighted and non-lighted versions available

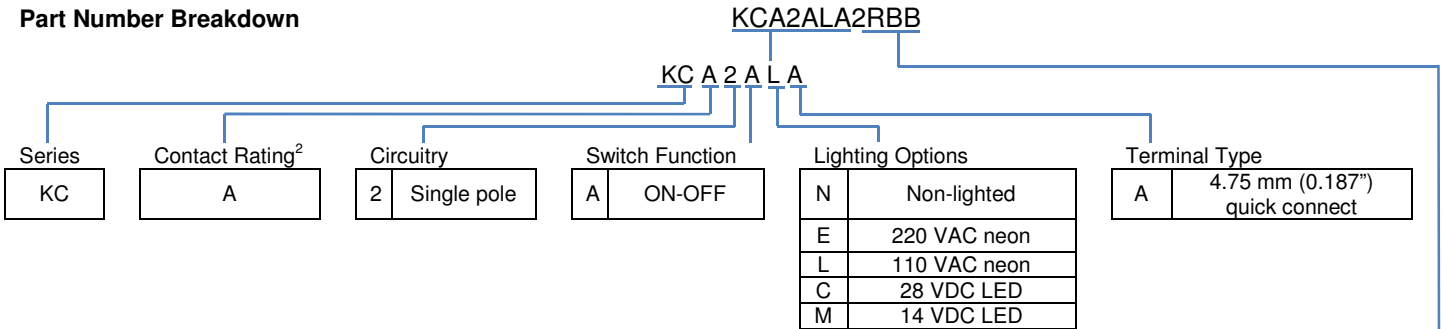
Standard Parts¹

North America	North America and Europe	Europe
KCA2ALA2RBB	KCA2ANA1BBB	KCA2AEA2GBB

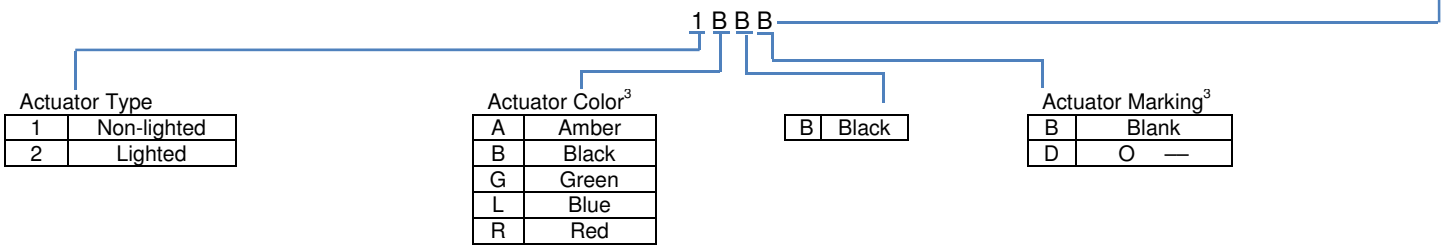
¹The part number configuration matrix below provides details to the part numbers above.

For configurable part numbers that are not listed above, not listed in your region, or for custom part numbers, contact the factory or your distributor.

Part Number Breakdown



²See Electrical Specifications section



³Black actuator is only available for non-lighted; others only for lighted. Only non-lighted actuators can be marked.

Electrical Specifications

Dielectric Strength	1500 VAC for 1 minute		
Insulation Resistance	100 MΩ min at 500 VDC		
Initial Contact Resistance	0.050 Ω max		
Electrical Ratings			
<u>Lighting Option</u>	<u>EN61058-1</u>	<u>UL1054</u>	<u>VDC⁴</u>
N	10 (4) 250	16 A 125 VAC / 10 A 250 VAC	20 A 14 VDC / 10 A 28 VDC
E, L	10 (4) 250	16 A 125 VAC / 10 A 250 VAC	N/A
C	N/A	N/A	10 A 28 VDC
M	N/A	N/A	20 A 14 VDC
Electrical Life at Rated Load Minimum Operations	<u>VDE</u> 10,000	<u>UL</u> 6,000	

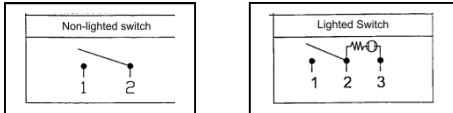
⁴DC ratings not agency approved

UL File No: E23301

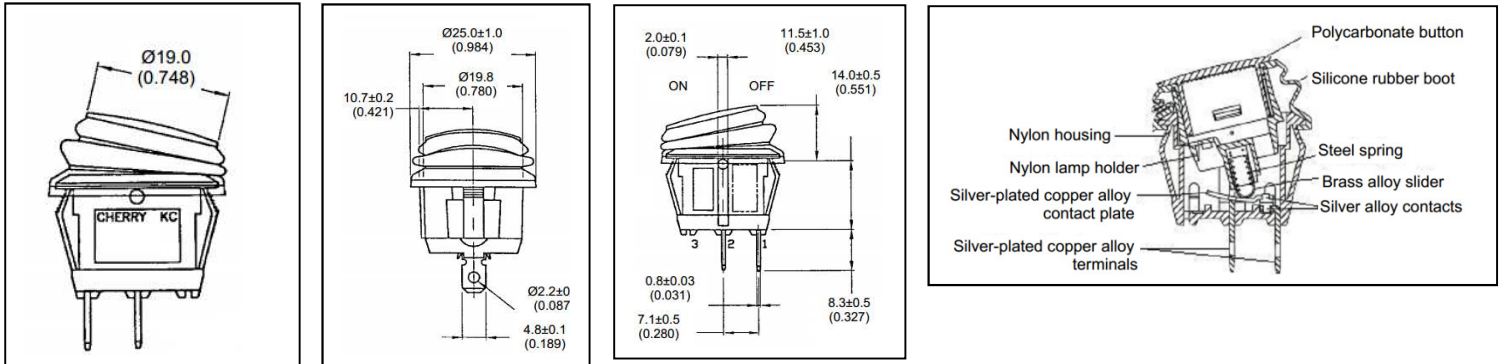
Material and Environmental Specifications

Actuator	Polycarbonate
Housing	Nylon 66 94V-2
Spring	Stainless Steel Wire
Contacts	Silver Alloy
Movable Arm	Silver-Plated Copper Alloy
Terminals	Silver-Plated Copper Alloy
Rubber Boot	Silicone
Operating Temperature Range	-25 °C to +85 °C (-13 °F to +185 °F)
Ingress Protection	IP65

Circuitry and Switch Functions



Dimensions mm (inches)



Recommended Panel Cut-out

