



Chipsmall Limited consists of a professional team with an average of over 10 year of expertise in the distribution of electronic components. Based in Hongkong, we have already established firm and mutual-benefit business relationships with customers from,Europe,America and south Asia,supplying obsolete and hard-to-find components to meet their specific needs.

With the principle of “Quality Parts,Customers Priority,Honest Operation,and Considerate Service”,our business mainly focus on the distribution of electronic components. Line cards we deal with include Microchip,ALPS,ROHM,Xilinx,Pulse,ON,Everlight and Freescale. Main products comprise IC,Modules,Potentiometer,IC Socket,Relay,Connector.Our parts cover such applications as commercial,industrial, and automotives areas.

We are looking forward to setting up business relationship with you and hope to provide you with the best service and solution. Let us make a better world for our industry!



## Contact us

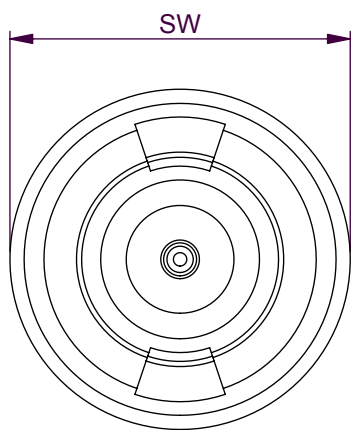
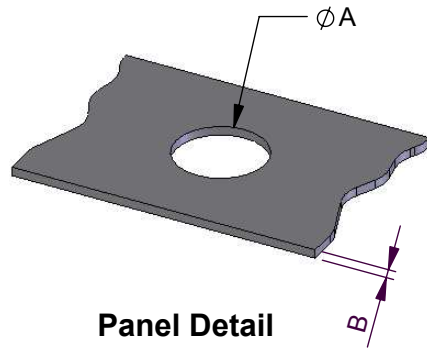
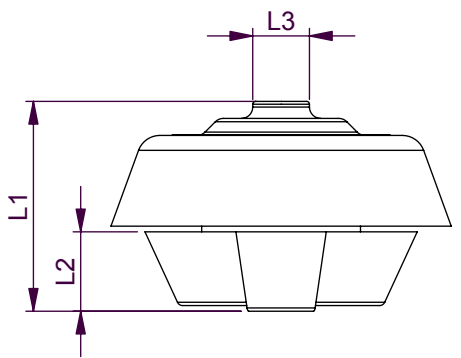
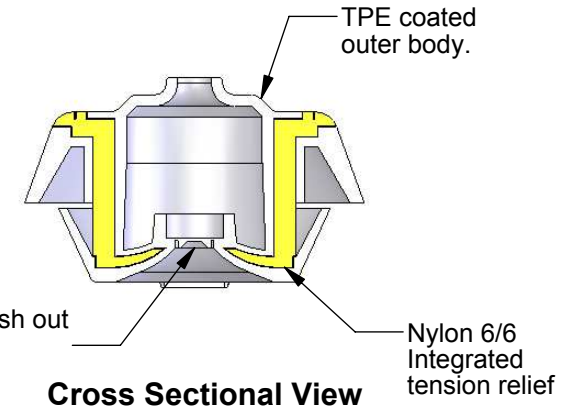
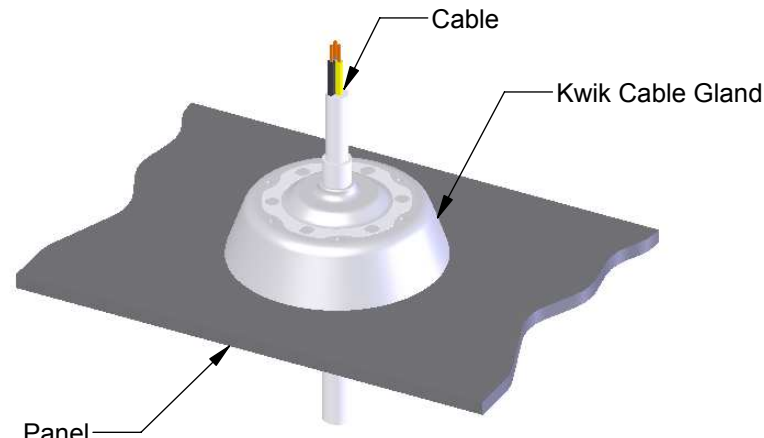
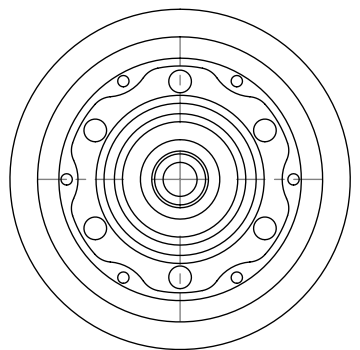
Tel: +86-755-8981 8866 Fax: +86-755-8427 6832

Email & Skype: info@chipsmall.com Web: www.chipsmall.com

Address: A1208, Overseas Decoration Building, #122 Zhenhua RD., Futian, Shenzhen, China



REV.	MODIFICATION.	DATE	DRN
A	NEW DRAWING	15/03/06	NJB
01	DRAWING RELEASE ECN 06-073	19/04/06	NJB
02	ECN 06-077	26/04/06	NJB
03	ECN 06-215	30/08/06	NJB



Isometric View

Panel Detail

Cross Sectional View

NOTES

- 1] Metric primary units:mm.
- 2] Imperial secondary units: [inches].
- 3] Integrated tension relief, wide sealing range.
- 4] Suitable for holes in materials of 1.5 - 5mm thickness.
- 5] Quick & simple assembly without the use of tools.
- 6] Mode of protection: IP67.
- 7] Temperature range: -20°C - +125°C.

INFORMATION CONTAINED IN THIS DOCUMENT IS CONFIDENTIAL TO RICHCO INTERNATIONAL Co. Ltd. AND MAY NOT BE DISCLOSED OR REPRODUCED IN WHOLE OR PART WITHOUT THEIR WRITTEN CONSENT.

KCG-2	2.0 [.078] - 5.0 [.196]	7.0 [.275] - 13.0 [.511]
KCG-1	2.0 [.078] - 5.0 [.196]	7.0 [.275] - 11.0 [.433]
PART NUMBER	B (Panel) for IP67	Anchorage Type A for cable Ø mm



GENERAL TOLERANCES ±0.25 [0.010]  
UNLESS OTHERWISE STATED  
1 DECIMAL PLACE ±  
2 DECIMAL PLACES ±  
ANGULAR ±1°



MATERIAL: TPE (RMS-286) & NYLON 6/6 (RMS-287)		COLOUR: RAL 7035 Grey	
DESCRIPTION: KCG 'KWIK CABLE GLAND'		PART No: See Table	
DRG No: 06-027	NPR No:	SHEET SIZE A4	
DRN NJB	DATE 15/03/06	CHKD TC	DATE 15/03/06
SCALE NTS	SHEET No. 1 OF 1		

\* Varies depending on the thickness of material installed in.

KCG-2	25.5 [1.003]	1.5 [.059] - 5.0 [.196]	20.0 [.787]	5.7 [.224]	5.0 [.196]	34.3 [1.350] - 40.0 [1.574]	4.0 [.157] - 14.0 [.551]	6.0 [.236] - 13.0 [.511]
KCG-1	20.5 [.807]	1.5 [.059] - 5.0 [.196]	20.0 [.787]	5.7 [.224]	4.0 [.157]	29.3 [1.153] - 34.5 [1.358]	4.0 [.157] - 11.0 [.433]	N/A
PART NUMBER	Ø A (Panel)	B (Panel)	L1	L2	L3	SW*	For Cable/ Pipe Ø	Tension Relief Ø