



Chipsmall Limited consists of a professional team with an average of over 10 year of expertise in the distribution of electronic components. Based in Hongkong, we have already established firm and mutual-benefit business relationships with customers from,Europe,America and south Asia,supplying obsolete and hard-to-find components to meet their specific needs.

With the principle of “Quality Parts,Customers Priority,Honest Operation,and Considerate Service”,our business mainly focus on the distribution of electronic components. Line cards we deal with include Microchip,ALPS,ROHM,Xilinx,Pulse,ON,Everlight and Freescale. Main products comprise IC,Modules,Potentiometer,IC Socket,Relay,Connector.Our parts cover such applications as commercial,industrial, and automotives areas.

We are looking forward to setting up business relationship with you and hope to provide you with the best service and solution. Let us make a better world for our industry!



Contact us

Tel: +86-755-8981 8866 Fax: +86-755-8427 6832

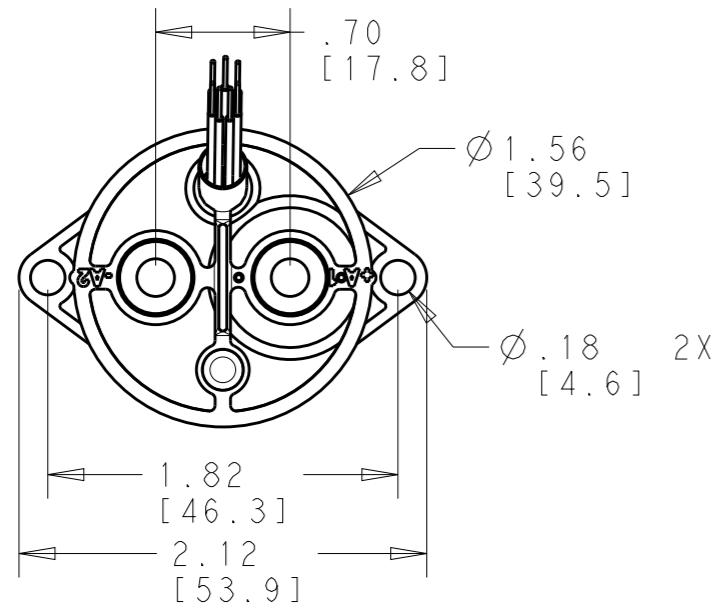
Email & Skype: info@chipsmall.com Web: www.chipsmall.com

Address: A1208, Overseas Decoration Building, #122 Zhenhua RD., Futian, Shenzhen, China



REVISIONS

P	LTR	DESCRIPTION	DATE	DWN	APVD
	A	INITIAL RELEASE	30DEC2016	MP	MP

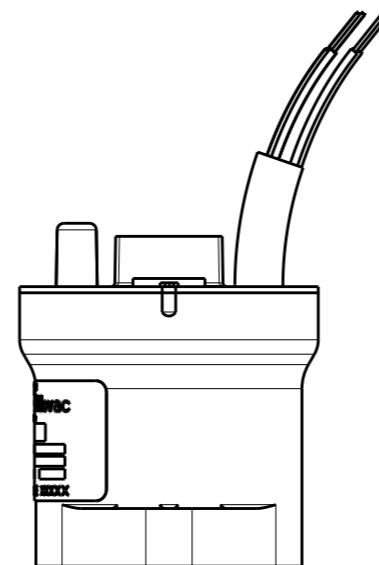
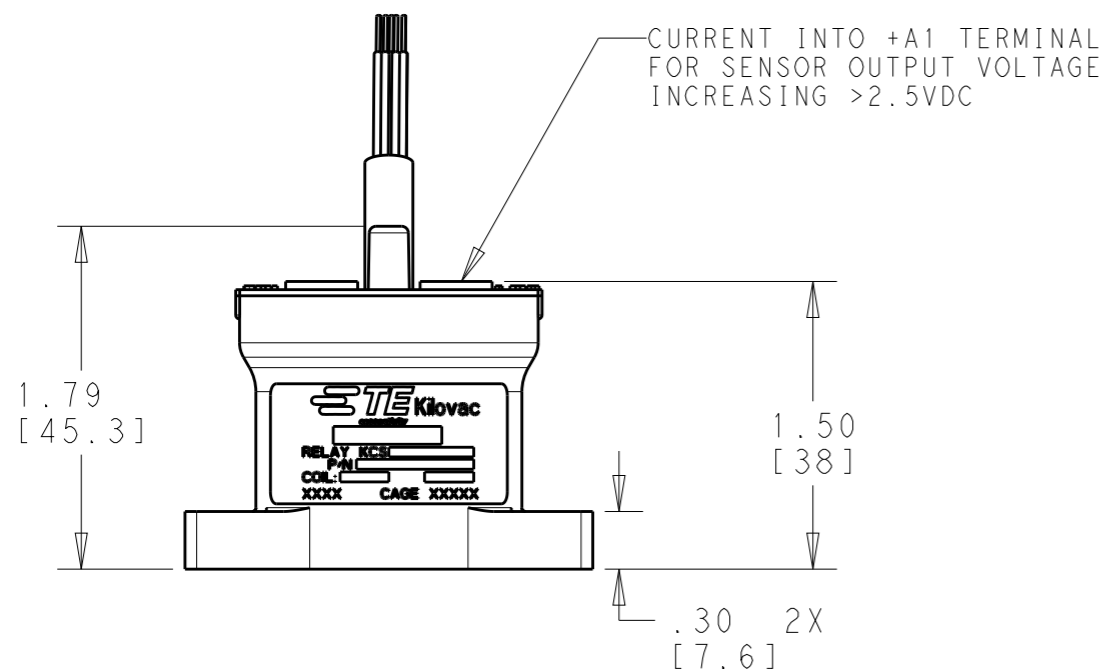


MOUNTING - 2 PLCS (HARDWARE NOT SUPPLIED)
 2 X M4 BOLT, LOCKWASHER AND WASHER
 TORQUE: 20 IN-LBS (2.3 NM) MAX

LOAD TERMINALS-2 PLCS (HARDWARE NOT SUPPLIED)
 2 X M5 BOLT, LOCKWASHER AND WASHER
 TORQUE: 30-40 IN-LBS (3.4 TO 4.5 NM)
 DEPTH: 7 THREADS MAX



OBSERVE PROPER POLARITIES FOR CONTROL LINES
 UNTERMINATED WIRES - USE ESD HANDLING PROCEDURES



NOTES:

- LEAD LENGTH 15" +/- 0.5" FROM TOP OF TERMINAL SEAT
- 26 AWG RED = +V_{coil}
- 26 AWG BLACK = RETURN
- 26 AWG PURPLE = TRIP DELAY/DISABLE
- 26 AWG ORANGE = CURRENT SENSE POWER
- 26 AWG WHITE = CURRENT SENSE OUTPUT
- 26 AWG BLUE = Rx CONNECTION
- 26 AWG YELLOW = Rx CONNECTION

METRIC DIMENSIONS FOR REFERENCE ONLY

WEIGHT: 150 GRAMS MAX

SEE PRODUCT DATA SHEET FOR PERFORMANCE SPECIFICATIONS

THIS DRAWING IS A CONTROLLED DOCUMENT.		DWN MP	30DEC2016	TE Connectivity	
DIMENSIONS: IN		CHK MP	30DEC2016		
		APVD MP	30DEC2016	NAME KCS01X SERIES CONTACTOR, SPST-NO, 100A	
		TOLERANCES UNLESS OTHERWISE SPECIFIED: 0 PLC ±. 1 PLC ±.1 2 PLC ±.03 3 PLC ± 4 PLC ± ANGLES ±1		PRODUCT SPEC -	RESTRICTED TO -
MATERIAL -		FINISH		APPLICATION SPEC -	SIZE A3
		WEIGHT		WEIGHT	CAGE CODE 18741
		CUSTOMER DRAWING		SCALE 1:1	DRAWING NO KCS01X_SERIES
				SHEET 1 OF 1	REV A