



Chipsmall Limited consists of a professional team with an average of over 10 year of expertise in the distribution of electronic components. Based in Hongkong, we have already established firm and mutual-benefit business relationships with customers from,Europe,America and south Asia,supplying obsolete and hard-to-find components to meet their specific needs.

With the principle of “Quality Parts,Customers Priority,Honest Operation,and Considerate Service”,our business mainly focus on the distribution of electronic components. Line cards we deal with include Microchip,ALPS,ROHM,Xilinx,Pulse,ON,Everlight and Freescale. Main products comprise IC,Modules,Potentiometer,IC Socket,Relay,Connector.Our parts cover such applications as commercial,industrial, and automotives areas.

We are looking forward to setting up business relationship with you and hope to provide you with the best service and solution. Let us make a better world for our industry!



Contact us

Tel: +86-755-8981 8866 Fax: +86-755-8427 6832

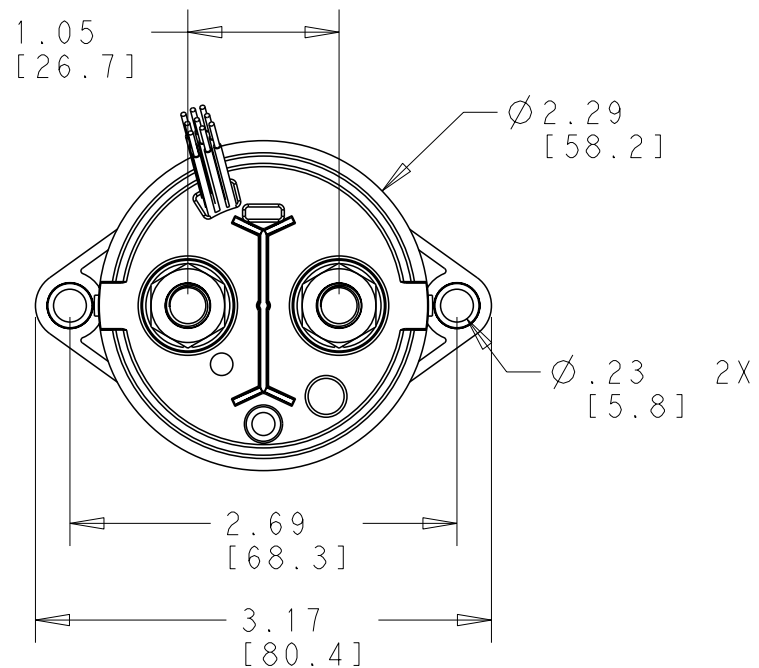
Email & Skype: info@chipsmall.com Web: www.chipsmall.com

Address: A1208, Overseas Decoration Building, #122 Zhenhua RD., Futian, Shenzhen, China



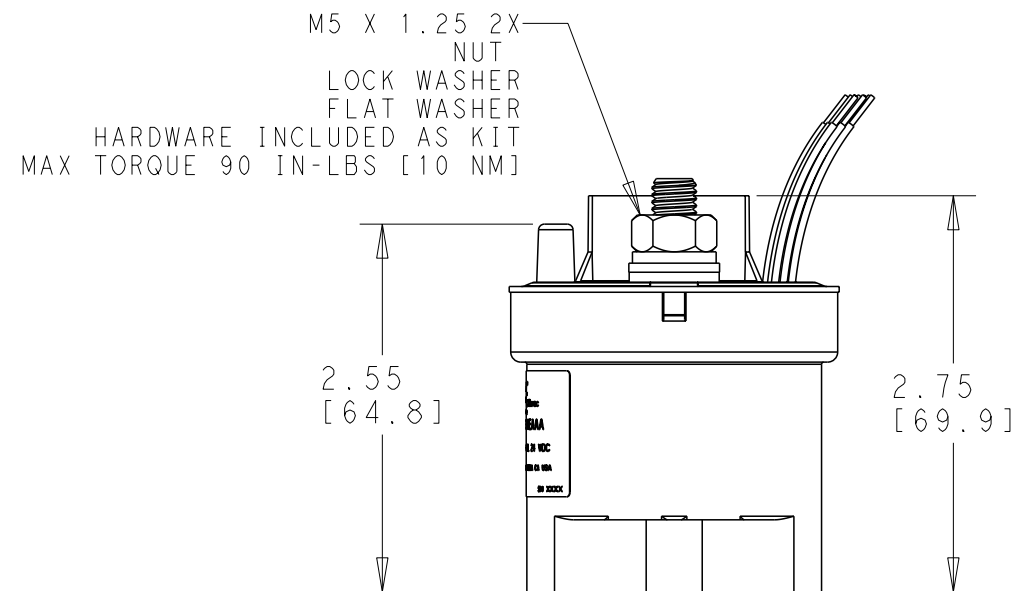
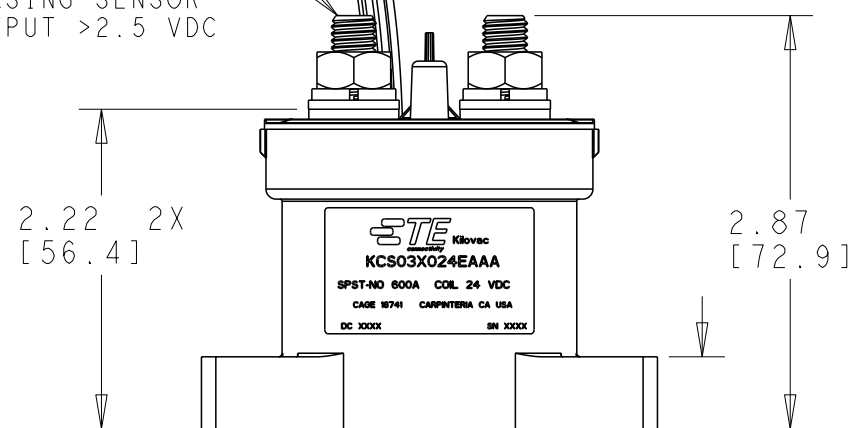
REVISIONS

| P | LTR | DESCRIPTION | DATE | DWN | APVD |
|---|-----|-----------------|-----------|-----|------|
| | A | INITIAL RELEASE | 30DEC2016 | MP | MP |
| | | | | | |
| | | | | | |



OBSERVE PROPER POLARITIES FOR CONTROL LINES
 UNTERMINATED WIRES - USE ESD HANDLING PROCEDURES

CURRENT FLOW INTO THIS TERMINAL FOR INCREASING SENSOR OUTPUT >2.5 VDC



NOTES:

- HARNESS:
 WIRE LENGTHS 15" NOMINAL
 ALL CONDUCTORS M22759/11, 22 AWG
 RED = V+
 BLACK = RTN
 WHITE (2 EA) AUX COM-NO
 PURPLE = TRIP DISABLE/PROGRAM TIME DELAY
 ORANGE = CONNECT TO V+ FOR TRIP SENSING AND CURRENT SENSING
 BROWN = CURRENT SENSE OUTPUT
 BLUE = Rx
 YELLOW = Rx

METRIC DIMENSIONS FOR REFERENCE ONLY

WEIGHT: 500 GRAMS MAX

SEE PRODUCT DATA SHEET FOR PERFORMANCE SPECIFICATIONS

| | | | | | |
|--|--|------------------|-----------|---|--|
| THIS DRAWING IS A CONTROLLED DOCUMENT. | | DWN | 30DEC2016 | TE Connectivity NAME KCS03X SERIES CONTACTOR, SPST-NO, 600A | |
| DIMENSIONS: | | CHK | 30DEC2016 | | |
| IN | | APVD | 30DEC2016 | | |
| | | MP | MP | | |
| TOLERANCES UNLESS OTHERWISE SPECIFIED: | | PRODUCT SPEC | | SIZE | |
| 0 PLC ±- | | - | | A3 | |
| 1 PLC ±- | | APPLICATION SPEC | | CAGE CODE | |
| 2 PLC ±.03 | | - | | 18741 | |
| 3 PLC ± | | WEIGHT | | DRAWING NO | |
| 4 PLC ±- | | - | | G-KCS03X_SERIES | |
| ANGLES ±1 | | CUSTOMER DRAWING | | RESTRICTED TO | |
| MATERIAL | | - | | - | |
| FINISH | | - | | SCALE | |
| - | | - | | 1:2 | |
| | | | | SHEET | |
| | | | | 1 OF 1 | |
| | | | | REV | |
| | | | | A | |