



Chipsmall Limited consists of a professional team with an average of over 10 year of expertise in the distribution of electronic components. Based in Hongkong, we have already established firm and mutual-benefit business relationships with customers from,Europe,America and south Asia,supplying obsolete and hard-to-find components to meet their specific needs.

With the principle of "Quality Parts,Customers Priority,Honest Operation,and Considerate Service",our business mainly focus on the distribution of electronic components. Line cards we deal with include Microchip,ALPS,ROHM,Xilinx,Pulse,ON,Everlight and Freescale. Main products comprise IC,Modules,Potentiometer,IC Socket,Relay,Connector.Our parts cover such applications as commercial,industrial, and automotives areas.

We are looking forward to setting up business relationship with you and hope to provide you with the best service and solution. Let us make a better world for our industry!



Contact us

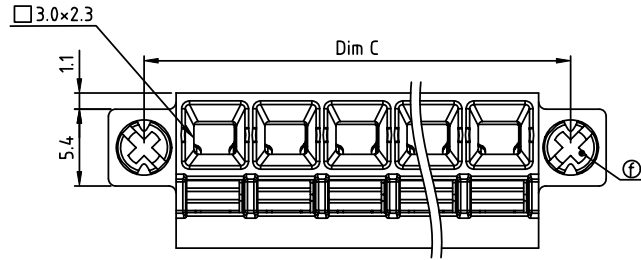
Tel: +86-755-8981 8866 Fax: +86-755-8427 6832

Email & Skype: info@chipsmall.com Web: www.chipsmall.com

Address: A1208, Overseas Decoration Building, #122 Zhenhua RD., Futian, Shenzhen, China



PRODUCT NUMBER	PITCH
KDxx70x100J0G	5.00 mm



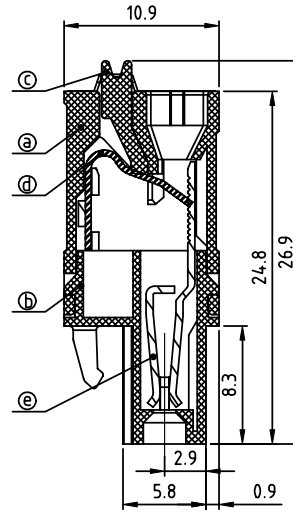
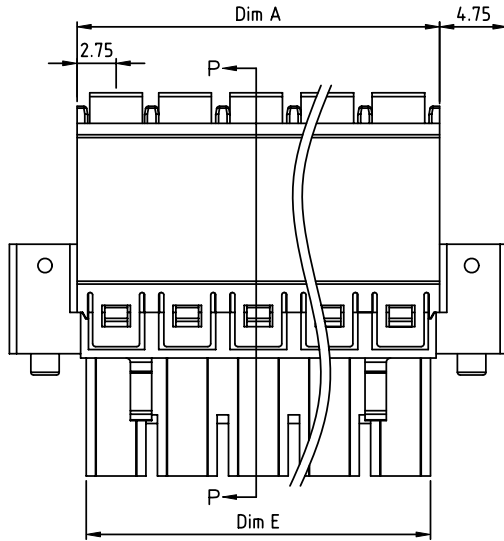
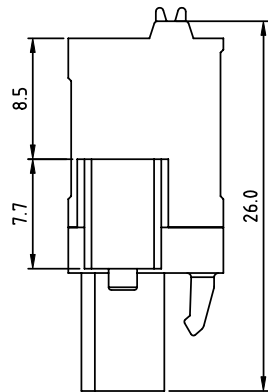
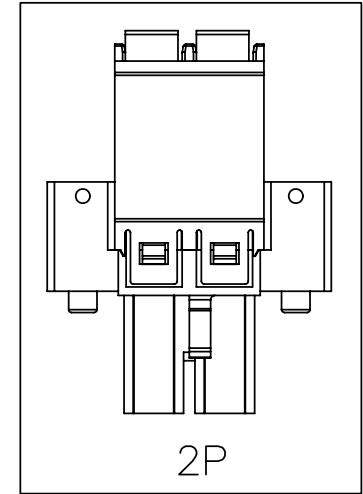
DIM A	N×5.0±0.50
DIM B	(N-1)×5.0
DIM C	(N-1)×5.0±10.00
DIM D	(N-1)×5.0±15.0
DIM E	(N-1)×5.0±4.20

N=Number of poles

POLES	Tolerance
2p-6p	±0.15
7p-12p	±0.25
13p-18p	±0.35
19p-24p	±0.40

PART NO.: KD xx 7 0 x 1 00J0 G

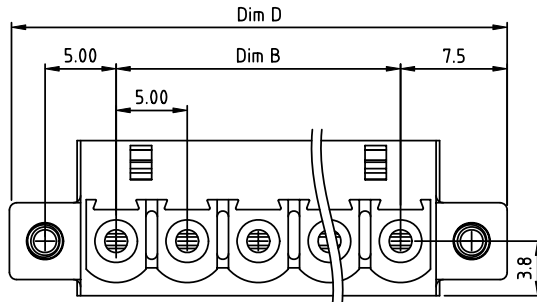
Solid block	0	Color	Black (RAL9005)	RoHS compliant	(lead<4%)
No. of poles	2		Red (RAL3001/D)	In copper Alloy	
02	2 poles		Orange(RAL2011/P)		
03	3 poles		Yellow(RAL1018/A)		
...	...		Green(RAL6018/T)		
24	24 poles		Blue (RAL5015/A)		
			8 Grey(RAL7035/D)		
			9 White(RAL1102)		
			C Green(RAL6018/U)		



SECTION P-P

- Material:
- Item①Top body: Thermoplastic (UL94V-0)
 - Item②Bottom body: Thermoplastic (UL94V-0)
 - Item③Terminal Lever: Thermoplastic (UL94V-0) Orange(RAL2001/P)
 - Item④Spring clamp: Stainless steel
 - Item⑤Female contact: PhBz Tin Plated.
 - Item⑥Flange screw:Steel Zinc plating M2.5"+/-" combination type

- Electrical:
- Voltage rating: 300 V
 - Current rating: 12 A
 - Wire range:
 - Solid wire(AWG): 14-24
 - Stranded wire(AWG): 14-24
 - Wire strip length: 11-12 mm
 - Withstanding Voltage: 1.6 KV
 - Operating temperature: -40°C to +115°C
 - Safety Approval:



mat'l. code		surface	tolerance	projection	product family
itr ecn no dr date		ASME Y14.5	ASME Y14.5		TERMINAL BLOCK
		tolerances unless otherwise specified		MM	title
		angles	X.±0.5	scale	TERMINAL BLOCK
		±	X.X±0.3		SPRING CLAMP, PLUGGABLE PLUG, WITH FLANGE
		X°±1°	X.XX±0.1	sheet 1 of 1 size	
		dr	EVIN ZHONG 052014		dwg no
		enrg	EVIN ZHONG 052014		KDxx70x100J0G
		chr	HANKE FENG 052014		A4
		appd	SHI JUN 052014		type
sheet index	revision sheet	A	1		CUSTOMER Drawing