



Chipsmall Limited consists of a professional team with an average of over 10 year of expertise in the distribution of electronic components. Based in Hongkong, we have already established firm and mutual-benefit business relationships with customers from,Europe,America and south Asia,supplying obsolete and hard-to-find components to meet their specific needs.

With the principle of “Quality Parts,Customers Priority,Honest Operation,and Considerate Service”,our business mainly focus on the distribution of electronic components. Line cards we deal with include Microchip,ALPS,ROHM,Xilinx,Pulse,ON,Everlight and Freescale. Main products comprise IC,Modules,Potentiometer,IC Socket,Relay,Connector.Our parts cover such applications as commercial,industrial, and automotives areas.

We are looking forward to setting up business relationship with you and hope to provide you with the best service and solution. Let us make a better world for our industry!



Contact us

Tel: +86-755-8981 8866 Fax: +86-755-8427 6832

Email & Skype: info@chipsmall.com Web: www.chipsmall.com

Address: A1208, Overseas Decoration Building, #122 Zhenhua RD., Futian, Shenzhen, China

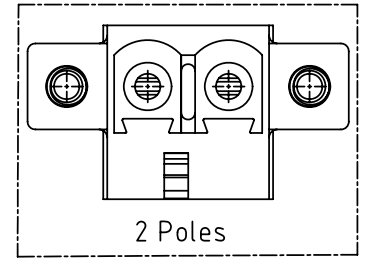


PRODUCT NUMBER	PITCH
KDxx50x100J0G	5.08 mm

DIM A	N×5.08+0.50
DIM B	(N-1)×5.08
DIM C	(N-1)×5.08+10.16
DIM D	(N-1)×5.08+15.08
DIM E	(N-1)×5.08+4.20

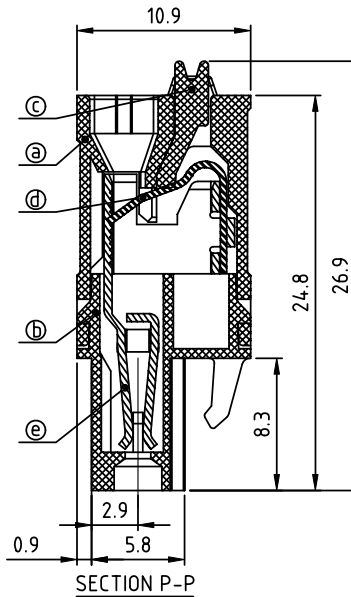
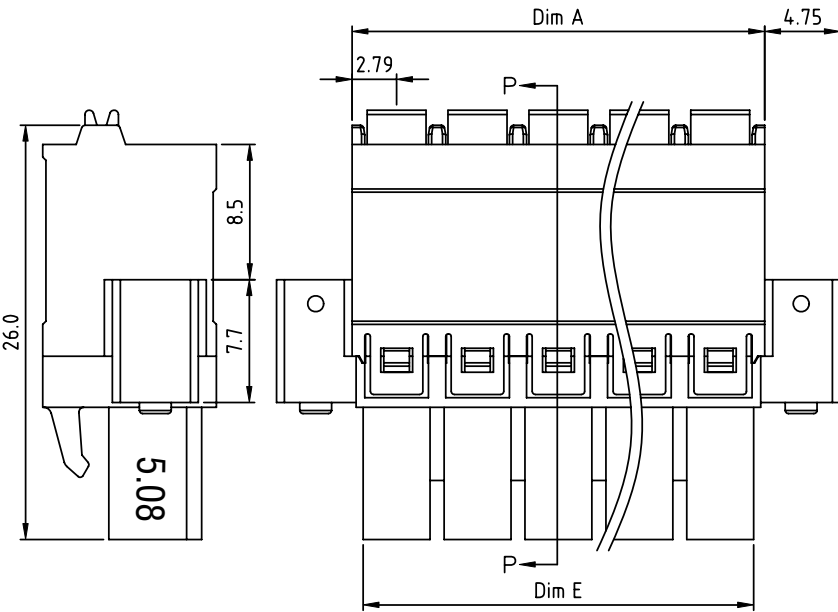
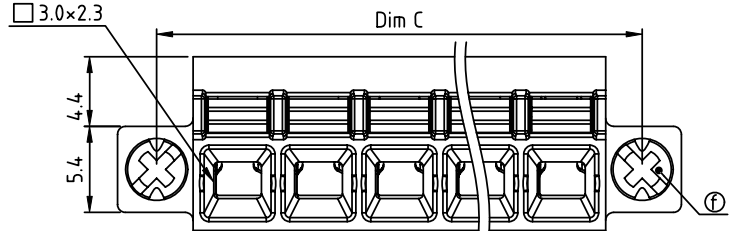
PART NO.: KD xx 5 0 x 1 00J0 G

- | | | | |
|--------------|---|-------------------|-----------------|
| Solid block | 0 | Color | RoHS compliant |
| No. of poles | 2 | Black (RAL9005) | (lead<4%) |
| 02 2 poles | 3 | Red (RAL3001/D) | In copper Alloy |
| 03 3 poles | 4 | Orange(RAL2011/P) | |
| ... | 5 | Yellow(RAL1018/A) | |
| 24 24 poles | 6 | Green(RAL6018/T) | |
| | 8 | Blue (RAL5015/A) | |
| | 8 | Grey(RAL 7035/D) | |
| | 9 | White(RAL1102) | |
| | C | Green(RAL6018/U) | |



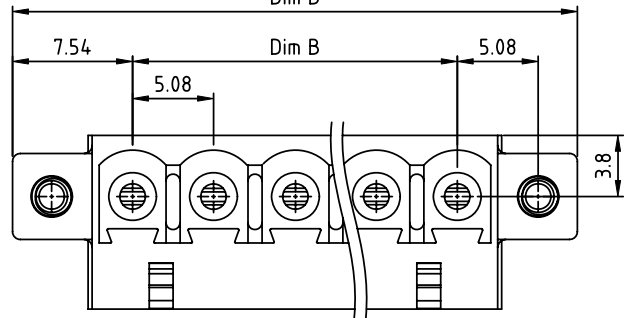
N=Number of poles

POLES	Tolerance
2p-6p	±0.15
7p-12p	±0.25
13p-18p	±0.35
19p-24p	±0.40



- Material:
- ItemⓐTop body: Thermoplastic (UL94V-0)
 - ItemⓑBottom body: Thermoplastic (UL94V-0)
 - ItemⓒTerminal Lever: Thermoplastic (UL94V-0) Orange (RAL2001/P)
 - ItemⓓSpring clamp: Stainless steel
 - ItemⓔFemale contact: PhBz Tin Plated.
 - ItemⓕFlange screw:Steel Zinc plating M2.5"/+/-" combination type

- Electrical:
- Voltage rating: 300 V
 - Current rating: 12 A
 - Wire range:
 - Solid wire(AWG): 14-24
 - Stranded wire(AWG): 14-24
 - Wire strip length: 11-12 mm
 - Withstanding Voltage: 1.6 KV
 - Operating temperature: -40°C to +115°C
 - Safety Approval:



mat'l. code		surface ASME Y14.5	tolerance ASME Y14.5	projection	product family TERMINAL BLOCK
ltr	ecn no	dr	date	 MM scale	title TERMINAL BLOCK
tolerances unless otherwise specified					angles X°±1° X.X±0.3 X.XX±0.1
sheet index		revision	A		
sheet		1			