



Chipsmall Limited consists of a professional team with an average of over 10 year of expertise in the distribution of electronic components. Based in Hongkong, we have already established firm and mutual-benefit business relationships with customers from,Europe,America and south Asia,supplying obsolete and hard-to-find components to meet their specific needs.

With the principle of “Quality Parts,Customers Priority,Honest Operation,and Considerate Service”,our business mainly focus on the distribution of electronic components. Line cards we deal with include Microchip,ALPS,ROHM,Xilinx,Pulse,ON,Everlight and Freescale. Main products comprise IC,Modules,Potentiometer,IC Socket,Relay,Connector.Our parts cover such applications as commercial,industrial, and automotives areas.

We are looking forward to setting up business relationship with you and hope to provide you with the best service and solution. Let us make a better world for our industry!



## Contact us

Tel: +86-755-8981 8866 Fax: +86-755-8427 6832

Email & Skype: info@chipsmall.com Web: www.chipsmall.com

Address: A1208, Overseas Decoration Building, #122 Zhenhua RD., Futian, Shenzhen, China



PRODUCT NUMBER	PITCH
KDxx10x0A0J0G	3.50 mm

$$\text{Dim L} = (N/2 - 1) \times 3.5 + 4.2$$

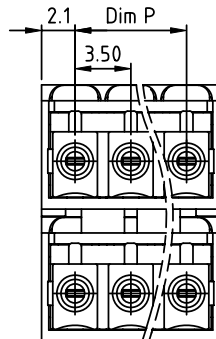
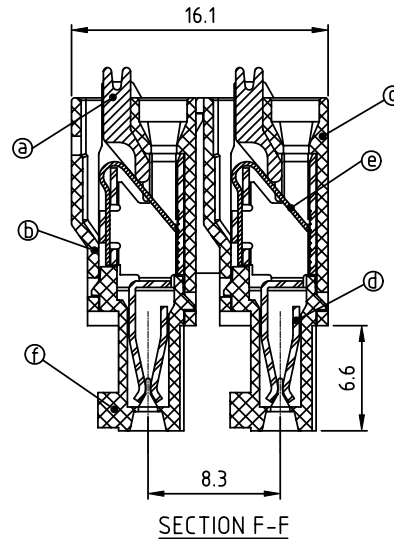
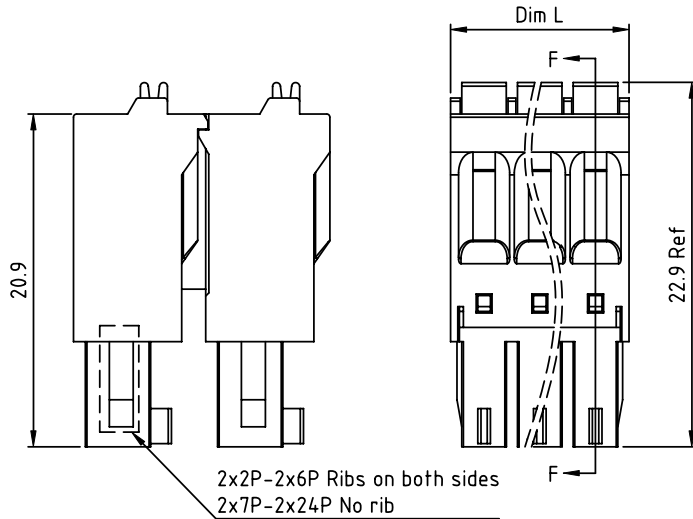
$$\text{Dim P} = (N/2 - 1) \times 3.5$$

N=Number of poles

POLES	Tolerance
2x2P-2x6P	±0.15
2x7P-2x12P	±0.25
2x13P-2x18P	±0.30
2x19P-2x24P	±0.40

PART NO.: KD xx 1 0 x 0 A0J0 G

↓	↓	↓
Solid block	Housing Color	RoHS compliant
No. of poles	0 Black (RAL9005)	(lead<4%)
04 2x2 poles	5 Green(RAL6018/T)	In copper Alloy
06 2x3 poles	6 Blue (RAL5015/A)	
...	8 Grey(RAL7035/D)	
48 2x24 poles		



Material:

- Item a Terminal lever: Thermoplastic (UL94V-0) Orange (RAL2011/P)
- Item b Top housing: Thermoplastic (UL94V-0)
- Item c Terminal back housing: Thermoplastic (UL94V-0)
- Item d Female contact: PhBz, Bright Tin plated over Nickel Plated
- Item e Spring clamp: Stainless steel
- Item f Bottom housing: Thermoplastic (UL94V-0)

Electrical:

- Voltage rating: cULus 160 V
- Current rating: 5.5 A
- Wire range:
- Solid wire(AWG): 16-24
- Stranded wire(AWG): 16-24
- Wire strip length: 9-10 mm
- Withstanding Voltage: 1.32 KV
- Operating temperature: -40°C to +115°C
- Safety Approval:

mat'l. code		surface ASME Y14.5 ✓	tolerance ASME Y14.5	projection 	product family TERMINAL BLOCK
ltr	ecn no	dr	date	tolerances unless otherwise specified	title TERMINAL BLOCK
B	T-24175	HF	052816		
		angles	X.±0.5	MM	scale
		X°±1'	X.X±0.3		
			X.XX±0.1		
		dr	EVIN ZHONG 052014		dwg no
		enr	EVIN ZHONG 052014		sheet 1 of 1
		chr	HANKE FENG 052014		KDxx10x0A0J0G
		appd	SHI JUN 052014		A4
sheet index	revision	B			type CUSTOMER Drawing
	sheet	1			