



Chipsmall Limited consists of a professional team with an average of over 10 year of expertise in the distribution of electronic components. Based in Hongkong, we have already established firm and mutual-benefit business relationships with customers from,Europe,America and south Asia,supplying obsolete and hard-to-find components to meet their specific needs.

With the principle of “Quality Parts,Customers Priority,Honest Operation,and Considerate Service”,our business mainly focus on the distribution of electronic components. Line cards we deal with include Microchip,ALPS,ROHM,Xilinx,Pulse,ON,Everlight and Freescale. Main products comprise IC,Modules,Potentiometer,IC Socket,Relay,Connector.Our parts cover such applications as commercial,industrial, and automotives areas.

We are looking forward to setting up business relationship with you and hope to provide you with the best service and solution. Let us make a better world for our industry!



Contact us

Tel: +86-755-8981 8866 Fax: +86-755-8427 6832

Email & Skype: info@chipsmall.com Web: www.chipsmall.com

Address: A1208, Overseas Decoration Building, #122 Zhenhua RD., Futian, Shenzhen, China



PRODUCT NUMBER	PITCH
KDxx10x1A0J0G	3.50 mm

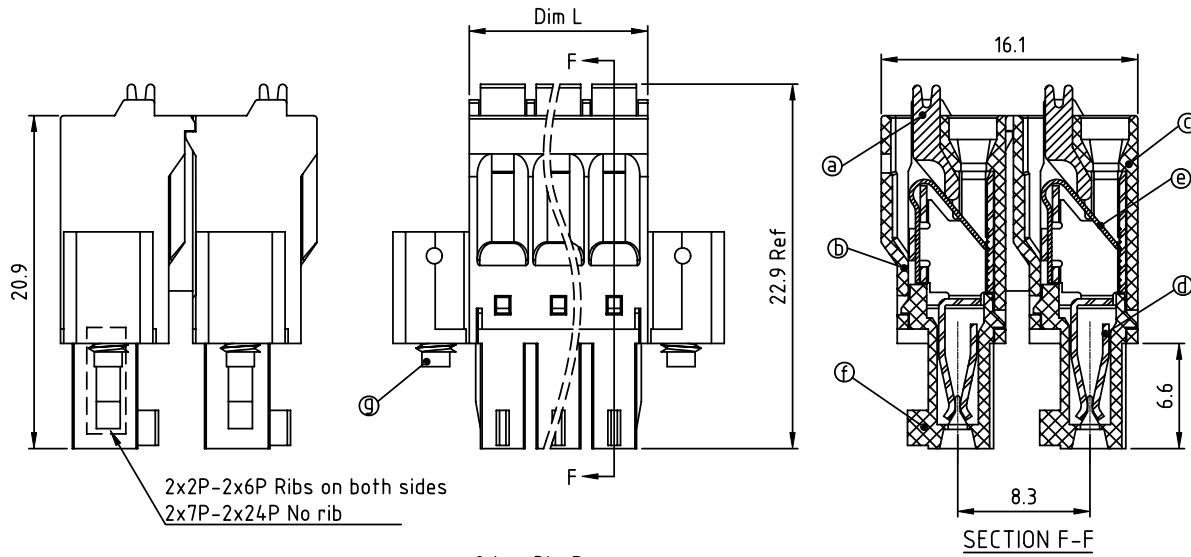
Dim L=(N/2-1)×3.5+4.2
Dim P=(N/2-1)×3.5
Dim A=(N/2-1)×3.5+8.6
Dim B=(N/2-1)×3.5+13.8

N=Number of poles

POLES	Tolerance
2×2P-2×6P	±0.15
2×7P-2×12P	±0.25
2×13P-2×18P	±0.30
2×19P-2×24P	±0.40

PART NO.: KD xx 1 0 x 1 A0J0 G

		Housing Color	RoHS compliant
Solid block	0	Black (RAL9005)	(lead<4%)
No. of poles	5	Green(RAL6018/T)	In copper Alloy
04 2x2 poles	6	Blue (RAL5015/A)	
06 2x3 poles	8	Grey(RAL7035/D)	
...	...		
48 2x24 poles			

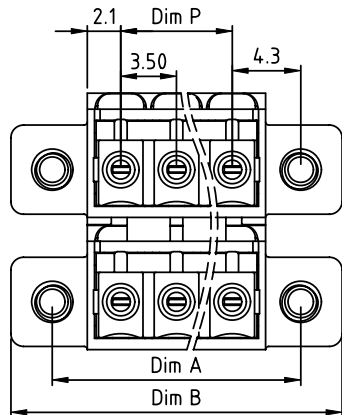


Material:

- Item a Terminal lever: Thermoplastic (UL94V-0) Orange (RAL2011/P)
- Item b Top housing: Thermoplastic (UL94V-0)
- Item c Terminal back housing: Thermoplastic (UL94V-0)
- Item d Female contact: PhBz, Bright Tin plated over Nickel [lated
- Item e Spring clamp: Stainless steel
- Item f Bottom housing: Thermoplastic (UL94V-0)
- Item g Flange screw: Steel Zinc plating M2.5"/+/-" combination type

Electrical:

- Voltage rating: 160 V
- Current rating: 5.5 A
- Wire range:
- Solid wire(AWG): 16-24
- Stranded wire(AWG): 16-24
- Wire strip length: 9-10 mm
- Withstanding Voltage: 1.32 KV
- Operating temperature: -40°C to +115°C
- Safety Approval:



mat'l. code		surface ASME Y14.5	tolerance ASME Y14.5	projection 	product family TERMINAL BLOCK
ltr	ecn no	dr	date	MM	title TERMINAL BLOCK
B	T-24176	HF	052816		
		angles	X.±0.5	scale	SPRING CLAMP, PLUGGABLE PLUG, WITH FLANGE, DOUBLE LEVEL
		X°±1'	X.X±0.3		
			X.XX±0.1		sheet 1 of 1 size A4
		dr	EVIN ZHONG 052014		
		enr	EVIN ZHONG 052014		
		chr	HANKE FENG 052014		
		appd	SHI JUN 052014	type CUSTOMER Drawing	
sheet index	revision	B			
	sheet	1			