



Chipsmall Limited consists of a professional team with an average of over 10 year of expertise in the distribution of electronic components. Based in Hongkong, we have already established firm and mutual-benefit business relationships with customers from,Europe,America and south Asia,supplying obsolete and hard-to-find components to meet their specific needs.

With the principle of “Quality Parts,Customers Priority,Honest Operation,and Considerate Service”,our business mainly focus on the distribution of electronic components. Line cards we deal with include Microchip,ALPS,ROHM,Xilinx,Pulse,ON,Everlight and Freescale. Main products comprise IC,Modules,Potentiometer,IC Socket,Relay,Connector.Our parts cover such applications as commercial,industrial, and automotives areas.

We are looking forward to setting up business relationship with you and hope to provide you with the best service and solution. Let us make a better world for our industry!



Contact us

Tel: +86-755-8981 8866 Fax: +86-755-8427 6832

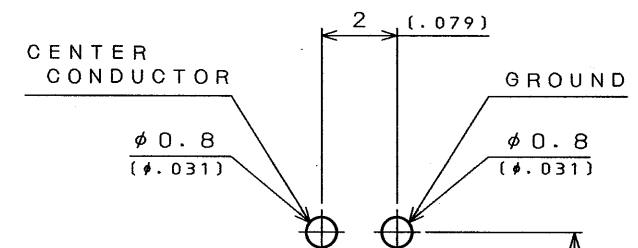
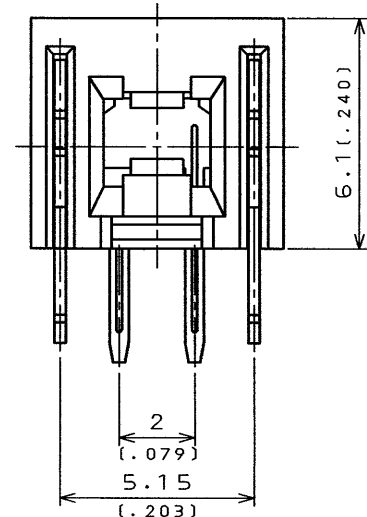
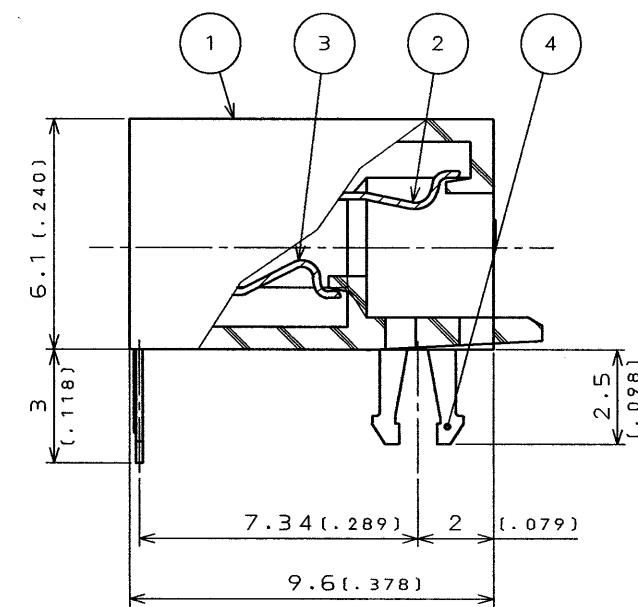
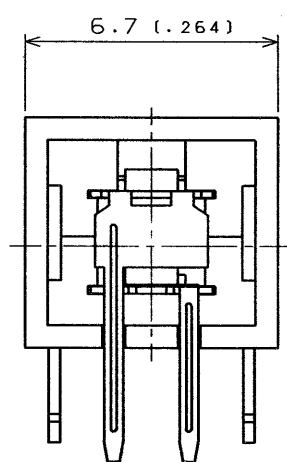
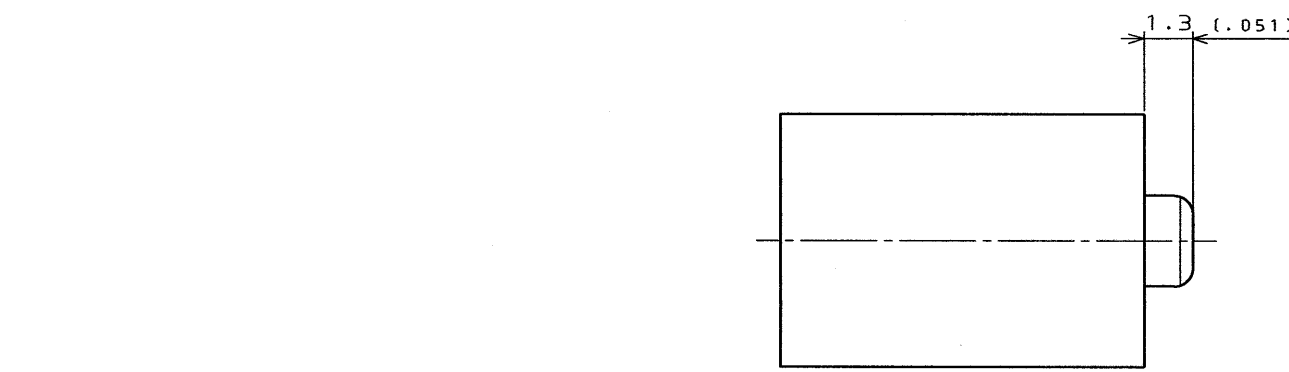
Email & Skype: info@chipsmall.com Web: www.chipsmall.com

Address: A1208, Overseas Decoration Building, #122 Zhenhua RD., Futian, Shenzhen, China

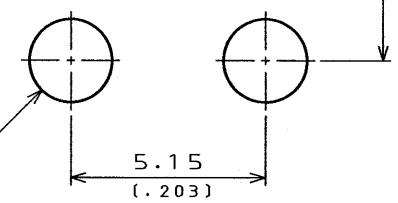


SJ027027-E
DWG. NO.

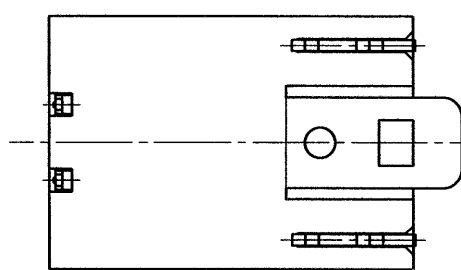
SYM.	DCN NO.	DESCRIPTION	DATE	DRAWN	CHECKED	APP'D	APP'D



NOTE 1
2-φ2.2
(2-φ.087)



P.C.B HOLE PATTERNS
P.C.B THICKNESS RECOMMENDED: 1.6mm Max

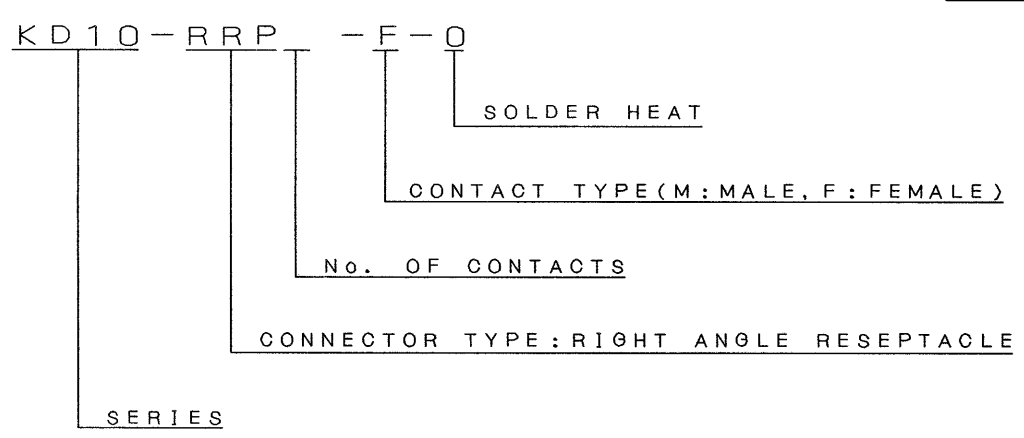


NOTE 1. PLEASE CONNECT HOLD DOWN WITH GROUND.

ITEM	DESCRIPTION	Q'TY	MATERIAL	FINISH	REMARKS
4	HOLDDOWN	2	COPPER ALLOY	TIN OVER NICKEL	
3	CENTER CONTACT	1	COPPER ALLOY	GOLD OVER NICKEL	
2	OUTER CONTACT	1	COPPER ALLOY	GOLD OVER NICKEL	
1	INSULATOR	1	6-6Ny		

REFERENCE DOCUMENT JACS2034-E	DATE 30. Jun. '94	SCALE 1/1	TITLE KD10-RRP -F-O	INDUSTRY, LTD.
MATERIAL 	DRAWN T. MIYASHITA	JAE CONNECTOR CO., LTD.		
TREATMENT 	CHECKED T. MIYASHITA	Reference Only		
FINISH 	APP'D T. Hanoh	MUSASHINO, AKISHIMA-SHI TOKYO, JAPAN		
	APP'D T. Suzuki	SERIES KD10		DWG. NO. SJ027027-E

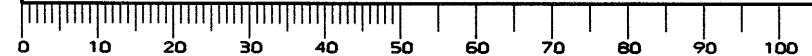
DESIGNATION



DIMENSIONS ARE IN MILLIMETERS
TOLERANCES ON: (INCHES)

DIMENSION	VALUES	ANGLES	CONCENTRICITY
.	± 0.8	X° ±	WITHIN ± T.I.R.
.X	± 0.4	XX° ±	
.XX	± 0.1		
.XXX	±		

DCF-115A



CSP-94-140-52342
SIZE A3