



Chipsmall Limited consists of a professional team with an average of over 10 year of expertise in the distribution of electronic components. Based in Hongkong, we have already established firm and mutual-benefit business relationships with customers from,Europe,America and south Asia,supplying obsolete and hard-to-find components to meet their specific needs.

With the principle of “Quality Parts,Customers Priority,Honest Operation,and Considerate Service”,our business mainly focus on the distribution of electronic components. Line cards we deal with include Microchip,ALPS,ROHM,Xilinx,Pulse,ON,Everlight and Freescale. Main products comprise IC,Modules,Potentiometer,IC Socket,Relay,Connector.Our parts cover such applications as commercial,industrial, and automotives areas.

We are looking forward to setting up business relationship with you and hope to provide you with the best service and solution. Let us make a better world for our industry!



Contact us

Tel: +86-755-8981 8866 Fax: +86-755-8427 6832

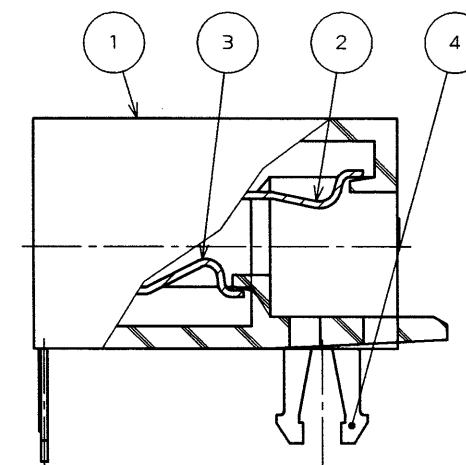
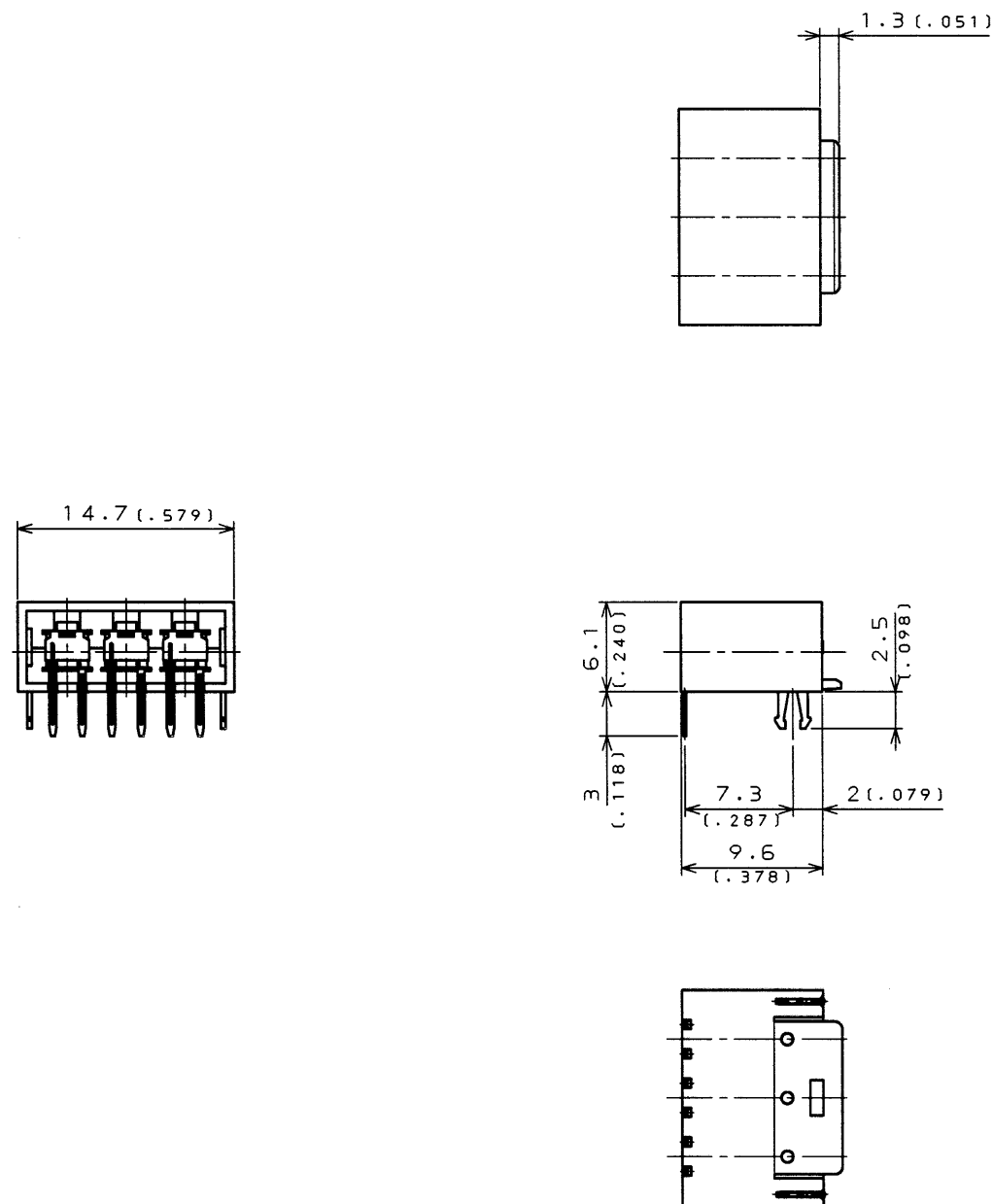
Email & Skype: info@chipsmall.com Web: www.chipsmall.com

Address: A1208, Overseas Decoration Building, #122 Zhenhua RD., Futian, Shenzhen, China

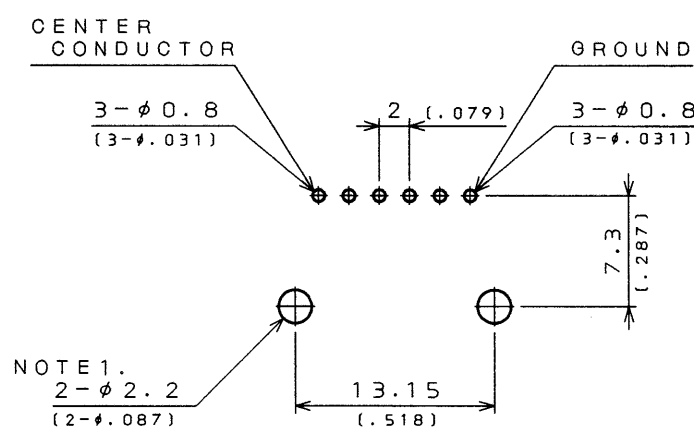
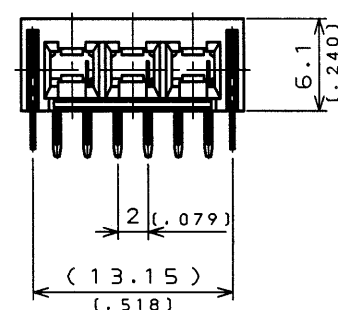


E-62029-E
 (DRAWING NO.) 図番

版数 REV.	年月日 DATE	DCN NO.	変更内容 DESCRIPTION	製図 DR.	担当 CHK.	査閲 APPD.	承認 APPD.
2	13.Jan.2000	45420	UL No.		T.MIYASHITA	—	T. Kanou



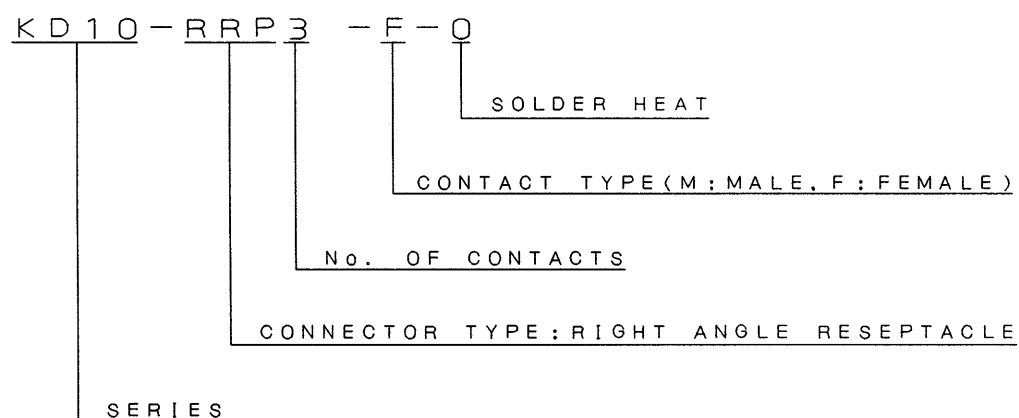
DETAIL
 (SCALE 5/1)



P. C. B HOLE PATTERNS
 P. C. B THICKNESS RECOMMENDED: 1.6mm MAX

NOTE1. PLEASE CONNECT HOLD DOWN WITH GROUND.

DESIGNATION



4	HOLDDOWN	2	COPPER ALLOY	TIN OVER NICKEL	—
3	CENTER CONTACT	3	COPPER ALLOY	GOLD OVER NICKEL	—
2	OUTER CONTACT	3	COPPER ALLOY	GOLD OVER NICKEL	—
1	INSULATOR	1	6-6Ny	—	UL.V-0
符号 NO.	名称 DESCRIPTION	個数 QTY.	材料 MATERIAL	仕上 FINISH	備考 REMARKS
仕様書 (SPECIFICATION)		第1版 (ORIGINAL DATE)		尺度 (SCALE)	
JACS2034E		30.Jun.1994		2:1	
公差 (GENERAL TOLERANCE)		製図 DR.		名称 (TITLE)	
寸法 (DIMENSION)		担当 CHK.		KD10-RRP3	
角度 (ANGLES)		査閲 APPD.		-F-O	
±0.8	×° ± —	承認 APPD.		重量 (WEIGHT)	
±0.4	×°× ± —	T.MIYASHITA		—	
±0.1		T.KANOU		—	
± —		T.SUZUKI		—	
				—	



図面番号 (DRAWING NO.)

SJ027029-E

CSP-94-140-52342
 A3
 SIZE
 版数 (REV.)
 2

DOF-C-212D(98.02)



本図面は日本航空電子工業(株)の所有する情報を含むもので当社の許可なく複製を禁止する。
 THIS DRAWING CONTAINS INFORMATION THAT IS PROPRIETARY TO JAE AND CAN NOT BE REPRODUCED WITHOUT WRITTEN CONSENT OF JAE.