



Chipsmall Limited consists of a professional team with an average of over 10 year of expertise in the distribution of electronic components. Based in Hongkong, we have already established firm and mutual-benefit business relationships with customers from,Europe,America and south Asia,supplying obsolete and hard-to-find components to meet their specific needs.

With the principle of “Quality Parts,Customers Priority,Honest Operation,and Considerate Service”,our business mainly focus on the distribution of electronic components. Line cards we deal with include Microchip,ALPS,ROHM,Xilinx,Pulse,ON,Everlight and Freescale. Main products comprise IC,Modules,Potentiometer,IC Socket,Relay,Connector.Our parts cover such applications as commercial,industrial, and automotives areas.

We are looking forward to setting up business relationship with you and hope to provide you with the best service and solution. Let us make a better world for our industry!



## Contact us

Tel: +86-755-8981 8866 Fax: +86-755-8427 6832

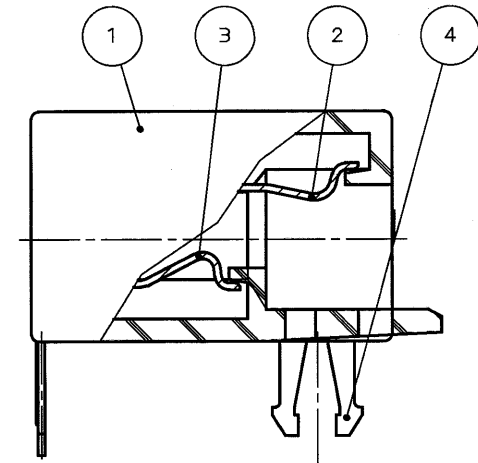
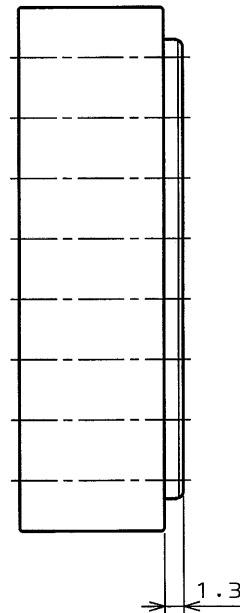
Email & Skype: info@chipsmall.com Web: www.chipsmall.com

Address: A1208, Overseas Decoration Building, #122 Zhenhua RD., Futian, Shenzhen, China

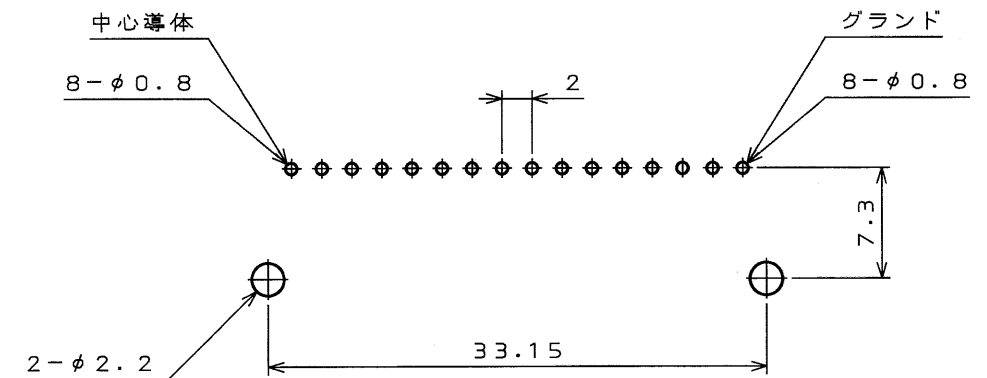
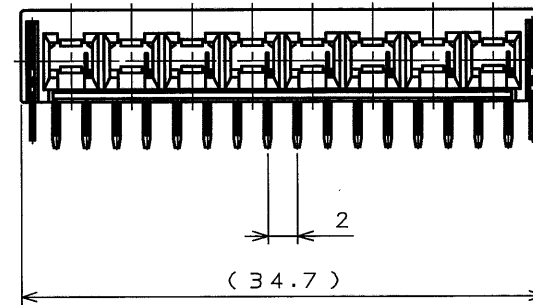
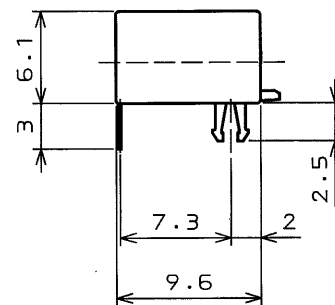
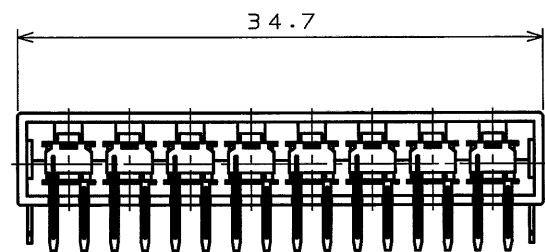


E1E3E01S  
(DRAWING NO.) 台票図

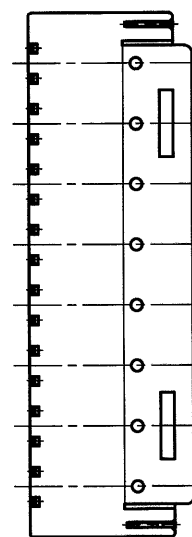
| 版数<br>REV. | 年月日<br>DATE | DCN NO. | 変更内容<br>DESCRIPTION | 製図<br>DR. | 担当<br>CHK. | 査閲<br>APPD. | 承認<br>APPD. |
|------------|-------------|---------|---------------------|-----------|------------|-------------|-------------|
| 2          | 2002.9.6    | 50588   | 部品欄一部変更             | 三浦(桜)     | 宮下         | —           | 狩野          |



詳細図  
(尺度 5/1)



基板スルーホールロケーション  
推奨基板: 1.6 ±0.1 以下



コネクタ命名法

KD10-RRP8-F-0

半田付

コネクタタイプ(M:雄, F:雌)

コネクタ芯数: 8→8芯

コネクタ形状: ライトアングルレセプタクル

シリーズ名: 簡易同軸コネクタ

注1. ホールダウンはグラウンドに接続して下さい。

| 符号<br>NO.                       | 名称<br>DESCRIPTION | 個数<br>QTY.                     | 材料<br>MATERIAL  | 仕上<br>FINISH                                    | 備考<br>REMARKS |
|---------------------------------|-------------------|--------------------------------|-----------------|---|---------------|
| 4                               | HOLD DOWN         | 2                              | PHOSPHOR BRONZE | TIN PLATE                                       | —             |
| 3                               | CENTER CONTACT    | 8                              | PHOSPHOR BRONZE | GOLD PLATING OVER NICKEL                        | —             |
| 2                               | OUTER CONTACT     | 8                              | PHOSPHOR BRONZE | GOLD PLATING OVER NICKEL                        | —             |
| 1                               | INSULATOR         | 1                              | 6-6Ny           | —   | —             |
| 仕様書(SPECIFICATION)<br>JAGS-2034 |                   | 第1版(ORIGINAL DATE)<br>1998.7.6 |                 | 尺貫法寸法(1:1)<br>KD10                              |               |
| 公差(GENERAL TOLERANCE)           |                   | 製図<br>DR.                      |                 | 名称(TITLE)<br>KD10-RRP8-F-0                      |               |
| 寸法(DIMENSION)                   |                   | 担当<br>CHK.                     |                 | JAE CONNECTOR.COM<br>Reference Only             |               |
| 角度(ANGLES)                      |                   | 査閲<br>APPD.                    |                 | JAPAN AVIATION<br>ELECTRONICS<br>INDUSTRY, LTD. |               |
| . ±0.8                          |                   | 承認<br>APPD.                    |                 | 図面番号(DRAWING NO.)<br>SJ033313                   |               |
| .X ±0.4                         |                   | 狩野                             |                 | 重量(WEIGHT)                                      |               |
| .XX ±0.1                        |                   | —                              |                 | —   |               |
| .XXX ±                          |                   | —                              |                 | —   |               |

DOF-0-212D(98.02)

CDS-98-140-50120

SIZE A3