



Chipsmall Limited consists of a professional team with an average of over 10 year of expertise in the distribution of electronic components. Based in Hongkong, we have already established firm and mutual-benefit business relationships with customers from,Europe,America and south Asia,supplying obsolete and hard-to-find components to meet their specific needs.

With the principle of "Quality Parts,Customers Priority,Honest Operation,and Considerate Service",our business mainly focus on the distribution of electronic components. Line cards we deal with include Microchip,ALPS,ROHM,Xilinx,Pulse,ON,Everlight and Freescale. Main products comprise IC,Modules,Potentiometer,IC Socket,Relay,Connector.Our parts cover such applications as commercial,industrial, and automotives areas.

We are looking forward to setting up business relationship with you and hope to provide you with the best service and solution. Let us make a better world for our industry!



Contact us

Tel: +86-755-8981 8866 Fax: +86-755-8427 6832

Email & Skype: info@chipsmall.com Web: www.chipsmall.com

Address: A1208, Overseas Decoration Building, #122 Zhenhua RD., Futian, Shenzhen, China

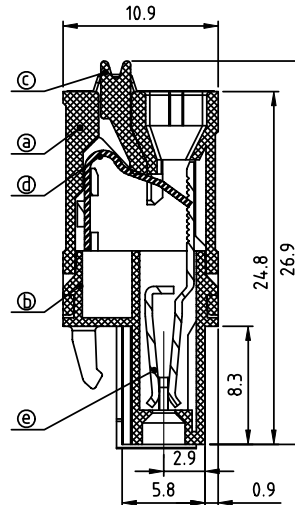
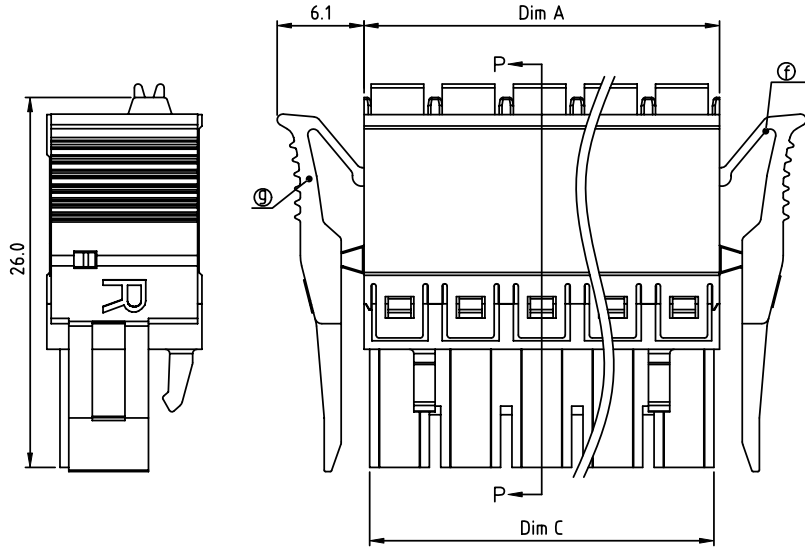
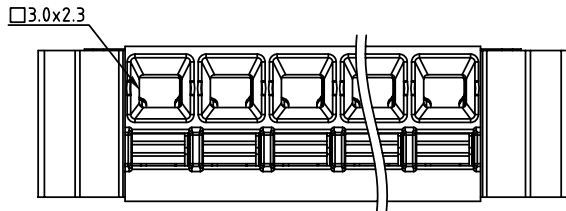
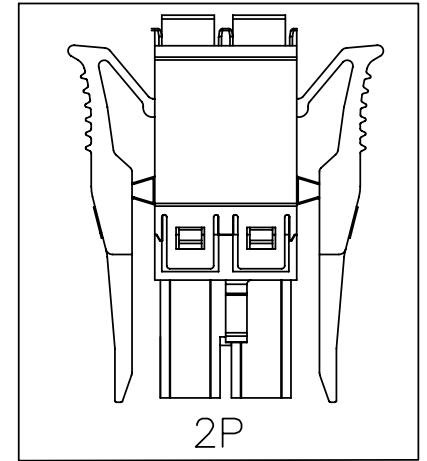


PRODUCT NUMBER	PITCH
KDxx70x200J0G	5.00 mm

Dim A=N×5.0	
Dim B=(N-1)×5.0	
Dim C=(N-1)×5.0+4.2	
N=Number of poles	
POLES	Tolerance
2p-6p	±0.15
7p-12p	±0.25
13p-18p	±0.35
19p-24p	±0.40

PART NO.: KD xx 7 0 x 2 00J0 G

Solid block	0	Color	0 Black (RAL9005)	RoHS compliant	(lead<4%)
No. of poles	2		2 Red (RAL3001/D)	In copper Alloy	
02	2 poles		3 Orange(RAL2011/P)		
03	3 poles		4 Yellow(RAL1018/A)		
...	...		5 Green(RAL6018/T)		
24	24 poles		6 Blue (RAL5015/A)		
			8 Grey(RAL7035/D)		
			9 White(RAL1102)		
			C Green(RAL6018/U)		



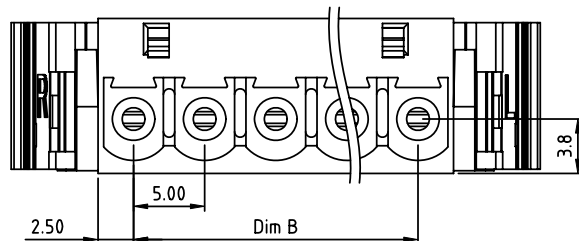
SECTION P-P

Material:

- Item ① Top body: Thermoplastic (UL94V-0)
- Item ② Bottom body: Thermoplastic (UL94V-0)
- Item ③ Terminal Lever: Thermoplastic (UL94V-0) Orange (RAL2001/P)
- Item ④ Spring clamp: Stainless steel
- Item ⑤ Female contact: PhBz Tin Plated
- Item ⑥ Terminal (Left latch): Thermoplastic (UL94V-0)
- Item ⑦ Terminal (Right latch): Thermoplastic (UL94V-0)

Electrical:

- Voltage rating: 300 V
- Current rating: 12 A
- Wire range:
- Solid wire(AWG): 14-24
- Stranded wire(AWG): 14-24
- Wire strip length: 11-12 mm
- Withstanding Voltage: 1.6 KV
- Operating temperature: -40°C to +115°C
- Safety Approval: cULus



mat'l. code		surface ASME Y14.5	tolerance ASME Y14.5	projection	product family	
ltr ecn no dr date		tolerances unless otherwise specified		MM	TERMINAL BLOCK	
		angles	X.±0.5		title	
		X°±1'	X.X±0.3	scale	TERMINAL BLOCK	
		dr	EVIN ZHONG 052014	FCI	SPRING CLAMP, PLUGGABLE PLUG, WITH LATCH	
		enr	EVIN ZHONG 052014		dwg no	sheet 1 of 1 size
		chr	HANKE FENG 052014		KDxx70x200J0G	A4
		appd	SHI JUN 052014		type	CUSTOMER Drawing
sheet index	revision sheet	A	1			