



Chipsmall Limited consists of a professional team with an average of over 10 year of expertise in the distribution of electronic components. Based in Hongkong, we have already established firm and mutual-benefit business relationships with customers from,Europe,America and south Asia,supplying obsolete and hard-to-find components to meet their specific needs.

With the principle of “Quality Parts,Customers Priority,Honest Operation,and Considerate Service”,our business mainly focus on the distribution of electronic components. Line cards we deal with include Microchip,ALPS,ROHM,Xilinx,Pulse,ON,Everlight and Freescale. Main products comprise IC,Modules,Potentiometer,IC Socket,Relay,Connector.Our parts cover such applications as commercial,industrial, and automotives areas.

We are looking forward to setting up business relationship with you and hope to provide you with the best service and solution. Let us make a better world for our industry!



## Contact us

Tel: +86-755-8981 8866 Fax: +86-755-8427 6832

Email & Skype: info@chipsmall.com Web: www.chipsmall.com

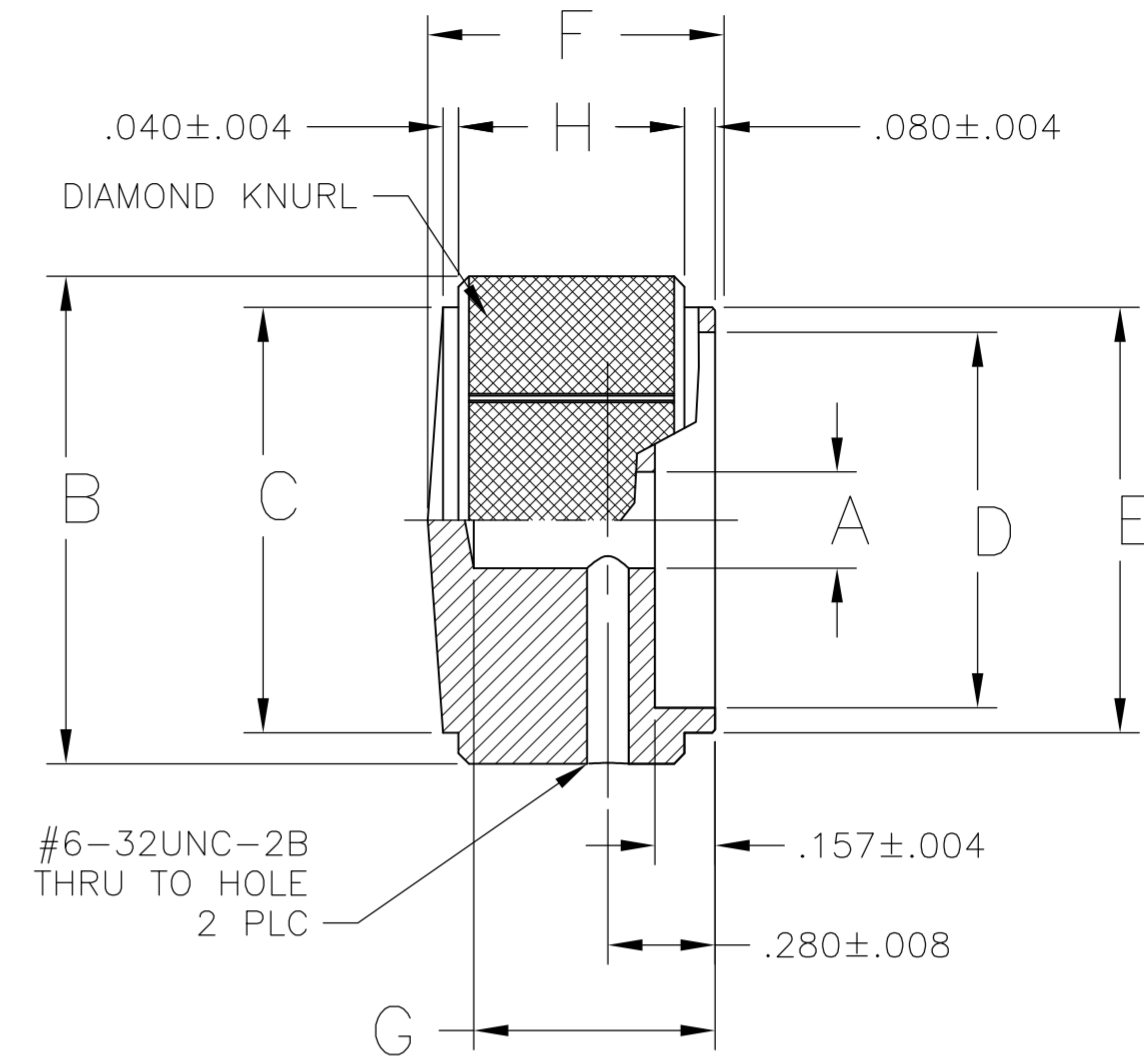
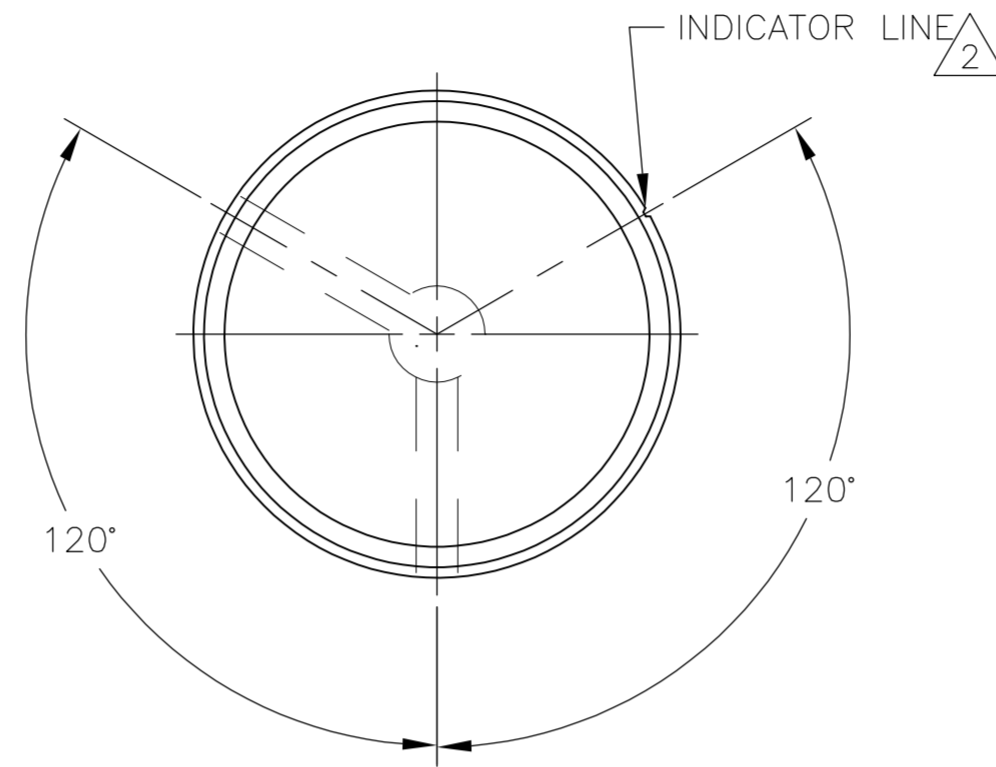
Address: A1208, Overseas Decoration Building, #122 Zhenhua RD., Futian, Shenzhen, China



THIS DRAWING IS UNPUBLISHED. RELEASED FOR PUBLICATION  
 © COPYRIGHT BY TYCO ELECTRONICS CORPORATION. ALL INTERNATIONAL RIGHTS RESERVED.

LOC		DIST		REVISIONS			
P	LTR	DESCRIPTION		DATE	DWN	APVD	
AD	00	A1	REVISED PER ECO-08-016840	09JUL08	HMR	WM	

- 1 ALL CORNERS OR RADII TO BE .005 MAX.
- 2 NATURAL KNOB: BLACK INDICATOR LINE.  
BLACK KNOB: WHITE INDICATOR LINE.  
GOLD KNOB: RED INDICATOR LINE.
- 3 SETSCREWS: 303 STAINLESS STEEL, BLACK ANODIZED.
- 4 KNOB: 5056 ALUMINUM ALLOY, COLOR PER TABLE ANODIZED



H	G	F	E	D	C	B	A SHAFT SIZE	SETSCREW	COLOR	ALCO MODEL NUMBER	TE PART NUMBER
.590±.008	.630±.008	.750±.012	1.110±.012	.980±.012	1.110±.012	1.272±.012	.251 <sup>+.003</sup> <sub>-.000</sub>	#6-32 X .438	GOLD	KD1250G-1/4	-
									BLACK	KD1250B-1/4	6-1437621-9
									NATURAL	KD1250A-1/4	6-1437621-8
.470±.008	.510±.008	.630±.008	.820±.012	.710±.012	.820±.012	.970±.012		#6-32 X .313	GOLD	KD900G-1/4	-
									BLACK	KD900B-1/4	7-1437621-7
									NATURAL	KD900A-1/4	7-1437621-6
			.660±.012	.590±.008	.660±.012	.770±.012		#6-32 X .188	GOLD	KD700G-1/4	-
									BLACK	KD700B-1/4	7-1437621-5
									NATURAL	KD700A-1/4	7-1437621-4
.430±.008	.380±.008	.430±.008	.520±.008	#6-32 X .125	GOLD	KD500G-1/4	-				
					BLACK	KD500B-1/4	7-1437621-2				
					NATURAL	KD500A-1/4	7-1437621-0				
.430±.008	.380±.008	.430±.008	.520±.008	#6-32 X .125	GOLD	KD500G-1/8	-				
					BLACK	KD500B-1/8	7-1437621-3				
					NATURAL	KD500A-1/8	7-1437621-1				

THIS DRAWING IS A CONTROLLED DOCUMENT.

DWN	M. BINNER	13JAN05
CHK	M. ZITTO	13JAN05
APVD	M. ZITTO	13JAN05

Tyco Electronics Corporation  
Harrisburg, PA 17105-3608

NAME: KNOB, KD SERIES

SIZE	CAGE CODE	DRAWING NO	RESTRICTED TO
A2	00779	6-1437621-8	-

CUSTOMER DRAWING SCALE 1:1 SHEET 1 of 1 REV A1