



Chipsmall Limited consists of a professional team with an average of over 10 year of expertise in the distribution of electronic components. Based in Hongkong, we have already established firm and mutual-benefit business relationships with customers from,Europe,America and south Asia,supplying obsolete and hard-to-find components to meet their specific needs.

With the principle of "Quality Parts,Customers Priority,Honest Operation,and Considerate Service",our business mainly focus on the distribution of electronic components. Line cards we deal with include Microchip,ALPS,ROHM,Xilinx,Pulse,ON,Everlight and Freescale. Main products comprise IC,Modules,Potentiometer,IC Socket,Relay,Connector.Our parts cover such applications as commercial,industrial, and automotives areas.

We are looking forward to setting up business relationship with you and hope to provide you with the best service and solution. Let us make a better world for our industry!



Contact us

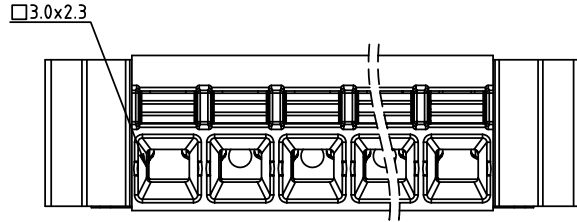
Tel: +86-755-8981 8866 Fax: +86-755-8427 6832

Email & Skype: info@chipsmall.com Web: www.chipsmall.com

Address: A1208, Overseas Decoration Building, #122 Zhenhua RD., Futian, Shenzhen, China



PRODUCT NUMBER	PITCH
KDxx50x200J0G	5.08 mm



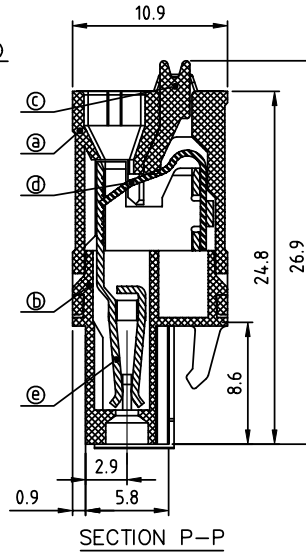
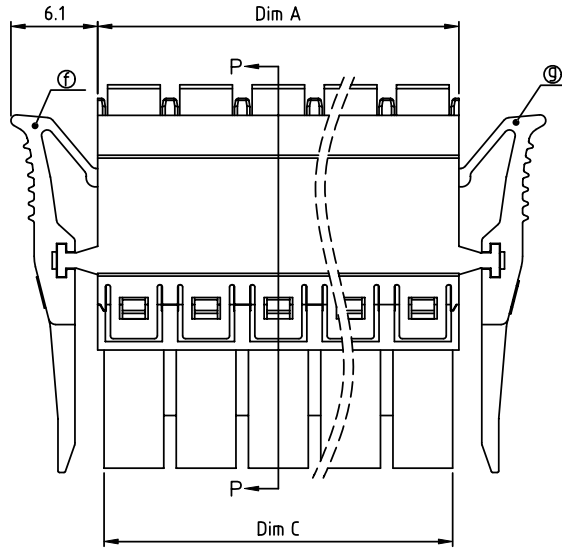
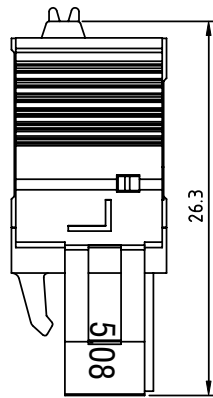
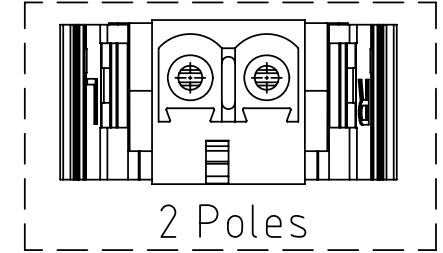
Dim A=N×5.08
Dim B=(N-1)×5.08
Dim C=(N-1)×5.08+4.2

N=Number of poles

POLES	Tolerance
2p-6p	±0.15
7p-12p	±0.25
13p-18p	±0.35
19p-24p	±0.40

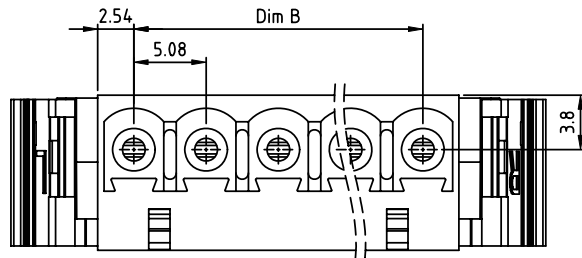
PART NO.: KD xx 5 0 x 2 00J 0 G

Solid block	No. of poles	Color	RoHS compliant (lead<4%) In copper Alloy
0	2	Black (RAL9005)	
02	2 poles	Red (RAL3001/D)	
03	3 poles	Orange(RAL2011/P)	
...	...	4 Yellow(RAL1018/A)	
...	...	5 Green(RAL6018/T)	
24	24 poles	6 Blue (RAL5015/A)	
		8 Grey(RAL7035/D)	
		9 White(RAL1102)	
		C Green(RAL6018/U)	



- Material:
- ItemⓂ Top body: Thermoplastic (UL94V-0)
 - ItemⓂ Bottom body: Thermoplastic (UL94V-0)
 - ItemⓂ Terminal Lever: Thermoplastic (UL94V-0) Orange (RAL2001/P)
 - ItemⓂ Spring clamp: Stainless steel
 - ItemⓂ Female contact: PhBz Tin Plated.
 - ItemⓂ Terminal(Left latch):Thermoplastic (UL94V-0)
 - ItemⓂ Terminal(Right latch):Thermoplastic (UL94V-0)

- Electrical: cULus
- Voltage rating: 300 V
 - Current rating: 12 A
 - Wire range:
 - Solid wire(AWG): 14-24
 - Stranded wire(AWG): 14-24
 - Wire strip length: 11-12 mm
 - Withstanding Voltage: 1.6 KV
 - Operating temperature: -40°C to +115°C
 - Safety Approval:



mat'l. code	surface ASME Y14.5	tolerance ASME Y14.5	projection 	product family TERMINAL BLOCK	
ltr	ecn	no	dr	date	title TERMINAL BLOCK
					SPRING CLAMP,PLUGGABLE PLUG,WITH LATCH
					scale MM
					angles X±0.5 X.X±0.3 X°±1° X.XX±0.1
					dr EVIN ZHONG 052014
					enrg EVIN ZHONG 052014
					chr HANKE FENG 052014
					appd SHI JUN 052014
sheet index	revision	A			dwg no KDxx50x200J0G
	sheet	1			sheet 1 of 1 size A4
					type CUSTOMER Drawing