



Chipsmall Limited consists of a professional team with an average of over 10 year of expertise in the distribution of electronic components. Based in Hongkong, we have already established firm and mutual-benefit business relationships with customers from,Europe,America and south Asia,supplying obsolete and hard-to-find components to meet their specific needs.

With the principle of "Quality Parts,Customers Priority,Honest Operation,and Considerate Service",our business mainly focus on the distribution of electronic components. Line cards we deal with include Microchip,ALPS,ROHM,Xilinx,Pulse,ON,Everlight and Freescale. Main products comprise IC,Modules,Potentiometer,IC Socket,Relay,Connector.Our parts cover such applications as commercial,industrial, and automotives areas.

We are looking forward to setting up business relationship with you and hope to provide you with the best service and solution. Let us make a better world for our industry!



Contact us

Tel: +86-755-8981 8866 Fax: +86-755-8427 6832

Email & Skype: info@chipsmall.com Web: www.chipsmall.com

Address: A1208, Overseas Decoration Building, #122 Zhenhua RD., Futian, Shenzhen, China

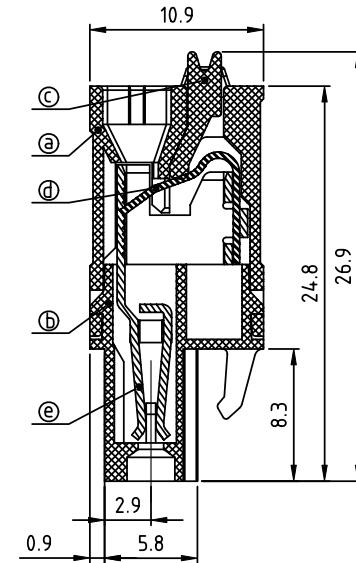
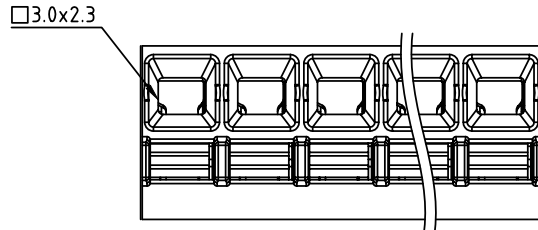
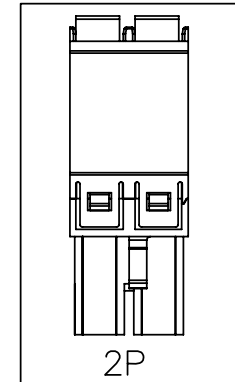


PRODUCT NUMBER	PITCH
KDxx70x000J0G	5.00 mm

PART NO.: KD xx 7 0 x 0 00J0 G

Dim A=N×5.0+0.1	
Dim B=(N-1)×5.0	
Dim C=(N-1)×5.0+4.2	
N=Number of poles	
POLES	Tolerance
2p-6p	±0.15
7p-12p	±0.25
13p-18p	±0.35
19p-24p	±0.40

Solid block	0	Color	RoHS compliant (lead<4%) In copper Alloy
No. of poles	2	Red (RAL9005)	
02 2 poles	3	Orange(RAL2011/P)	
03 3 poles	4	Yellow(RAL1018/A)	
...	5	Green(RAL6018/T)	
24 24 poles	6	Blue (RAL5015/A)	
	8	Grey(RAL7035/D)	
	9	White(RAL1102)	
	C	Green(RAL6018/U)	



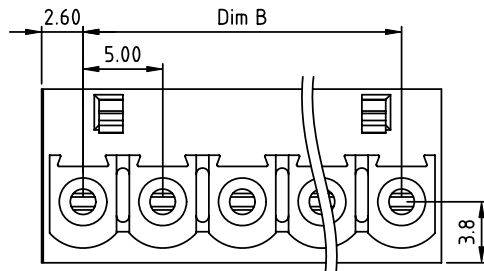
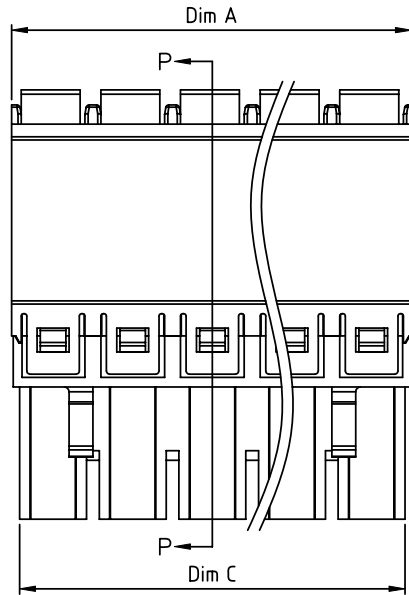
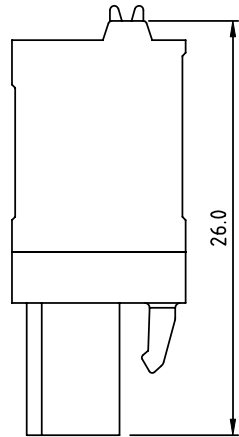
SECTION P-P

Material:

- Item@Top body: Thermoplastic (UL94V-0)
- Item@Bottom Body: Thermoplastic (UL94V-0)
- Item@Terminal Lever: Thermoplastic (UL94V-0) Orange (RAL2001/P)
- Item@Spring clamp: Stainless steel
- Item@Female contact: PhBz Tin Plated

Electrical:

- Voltage rating: 300 V
- Current rating: 12 A
- Wire range:
- Solid wire(AWG): 14-24
- Stranded wire(AWG): 14-24
- Wire strip length: 11-12 mm
- Withstanding Voltage: 1.6 KV
- Operating temperature: -40°C to +115°C
- Safety Approval:



mat'l. code		surface ASME Y14.5	tolerance ASME Y14.5	projection	product family
ltr ecn no dr date		tolerances unless otherwise specified			TERMINAL BLOCK
		angles	X.±0.5	MM	title
		X°±1°	X.X±0.3	scale	TERMINAL BLOCK
		dr	EVIN ZHONG 052014		SPRING CLAMP, PLUGGABLE PLUG
		enr	EVIN ZHONG 052014		dwg no
		chr	HANKE FENG 052014		sheet 1 of 1
		appd	SHI JUN 052014		size
sheet index		revision sheet	A 1		KDxx70x000J0G A4
					type CUSTOMER Drawing