



Chipsmall Limited consists of a professional team with an average of over 10 year of expertise in the distribution of electronic components. Based in Hongkong, we have already established firm and mutual-benefit business relationships with customers from,Europe,America and south Asia,supplying obsolete and hard-to-find components to meet their specific needs.

With the principle of “Quality Parts,Customers Priority,Honest Operation,and Considerate Service”,our business mainly focus on the distribution of electronic components. Line cards we deal with include Microchip,ALPS,ROHM,Xilinx,Pulse,ON,Everlight and Freescale. Main products comprise IC,Modules,Potentiometer,IC Socket,Relay,Connector.Our parts cover such applications as commercial,industrial, and automotives areas.

We are looking forward to setting up business relationship with you and hope to provide you with the best service and solution. Let us make a better world for our industry!



## Contact us

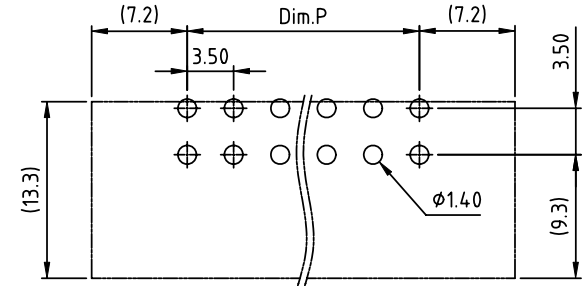
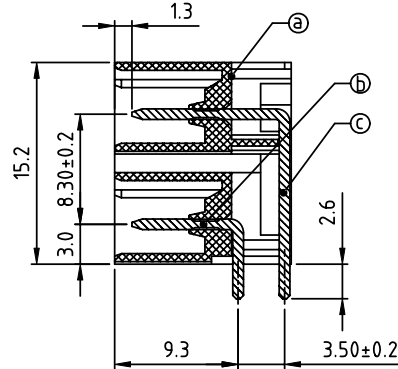
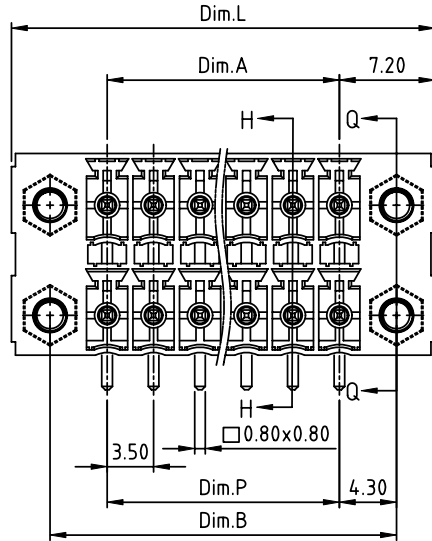
Tel: +86-755-8981 8866 Fax: +86-755-8427 6832

Email & Skype: info@chipsmall.com Web: www.chipsmall.com

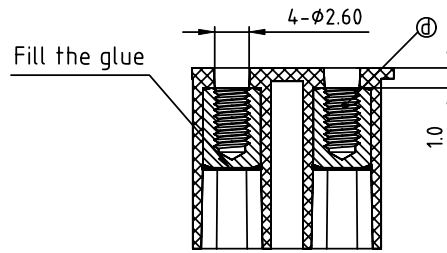
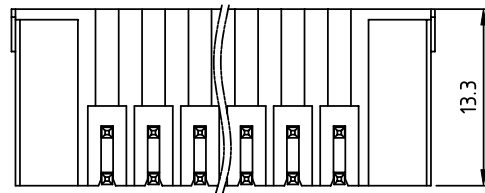
Address: A1208, Overseas Decoration Building, #122 Zhenhua RD., Futian, Shenzhen, China



PRODUCT NUMBER	PITCH
KExx12x1A0J0G	3.50 mm



RECOMMENDED P.C.B LAYOUT  
TOP VIEW



SECTION H-H

SECTION Q-Q

- Material:
- Item A Terminal(housing): Thermoplastic (UL94V-0)
  - Item B Short pin: copper Tin plated
  - Item C Long pin: copper Tin plated
  - Item D Flange screw NUT: Copper alloy, M 2.5

- Electrical: cULus
- Voltage rating: 160V
  - Current rating: 5.5A
  - Withstanding Voltage: 1.32 KV
  - Operating temperature: -40°C to +115°C
  - Soldering temperature: 260°C ±5°C/5 Sec
  - Safety Approval:

DIMENSION

Dim.L	(N/2-1) × 3.5+14.4
Dim.P	(N/2-1) × 3.5
Dim.A	(N/2-1) × 3.5
Dim.B	(N/2-1) × 3.5+8.6

N=Number of poles

poles	Dim.L	Dim.P	Dim.A	Dim.B
2×2P-2×5P	±0.20	±0.15	±0.15	±0.15
2×6P-2×16P	±0.30	±0.25	±0.25	±0.25
2×17P-2×24P	±0.40	±0.30	±0.30	±0.30

PART NO.: KE xx 1 2 x 1 A0J0 G

- |              |   |                   |  |
|--------------|---|-------------------|--|
| Solid block  | 0 | Black (RAL9005)   | RoHS compliant<br>(lead<4%)<br>In copper Alloy |
| No. of poles | 2 | Red (RAL3001/D)   |  |
| 04 2x2poles  | 3 | Orange(RAL2011/P) |  |
| 06 2x3poles  | 4 | Yellow(RAL1018/A) |  |
| ...          | 5 | Green(RAL6018/T)  |  |
| 48 2x24poles | 6 | Blue (RAL5015/A)  |  |
|              | 8 | Grey(RAL7035/D)   |  |
|              | 9 | White(RAL1102)    |  |
|              | C | Green(RAL6018/U)  |  |

mat'l. code		surface ASME Y14.5	tolerance ASME Y14.5	projection 	product family TERMINAL BLOCK
ltr	ecn no	dr	date	tolerances unless otherwise specified	title TERMINAL BLOCK PLUGGABLE SOCKET,RIGHT ANGLE,WITH FLANGE
				angles X±0.5 X.X±0.3 X°±1° X.XX±0.1	
				scale MM	dwg no KExx12x1A0J0G sheet 1 of 1 size A4
		dr	EVIN ZHONG	042414	
		enr	EVIN ZHONG	042414	FCI type CUSTOMER Drawing
		chr	HANKE FENG	042414	
		appd	SHI JUN	042414	
sheet index	revision	A			
	sheet	1			