



Chipsmall Limited consists of a professional team with an average of over 10 year of expertise in the distribution of electronic components. Based in Hongkong, we have already established firm and mutual-benefit business relationships with customers from,Europe,America and south Asia,supplying obsolete and hard-to-find components to meet their specific needs.

With the principle of "Quality Parts,Customers Priority,Honest Operation,and Considerate Service",our business mainly focus on the distribution of electronic components. Line cards we deal with include Microchip,ALPS,ROHM,Xilinx,Pulse,ON,Everlight and Freescale. Main products comprise IC,Modules,Potentiometer,IC Socket,Relay,Connector.Our parts cover such applications as commercial,industrial, and automotives areas.

We are looking forward to setting up business relationship with you and hope to provide you with the best service and solution. Let us make a better world for our industry!



Contact us

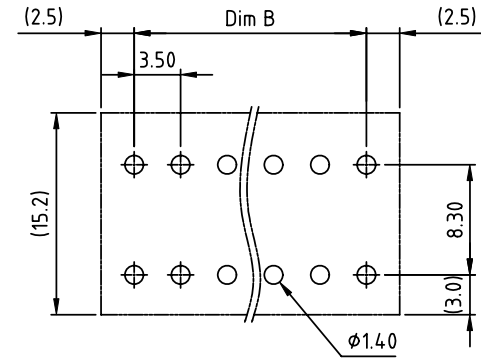
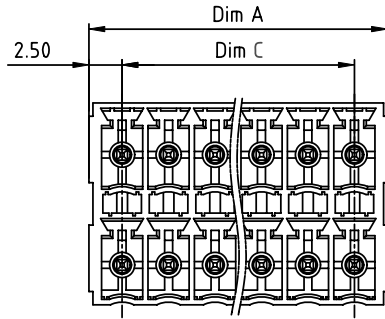
Tel: +86-755-8981 8866 Fax: +86-755-8427 6832

Email & Skype: info@chipsmall.com Web: www.chipsmall.com

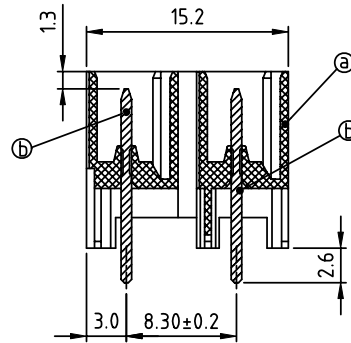
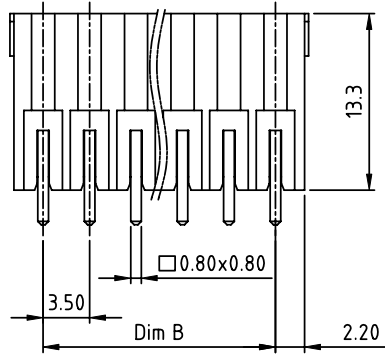
Address: A1208, Overseas Decoration Building, #122 Zhenhua RD., Futian, Shenzhen, China



PRODUCT NUMBER	PITCH
KExx11x0A0J0G	3.50 mm



RECOMMENDED P.C.B LAYOUT
TOP VIEW



Material:

- Item (a) Terminal(housing): Thermoplastic (UL94V-0)
- Item (b) Pin: copper.tin plated

Electrical:

- cULus
- Voltage rating: 160V
- Current rating: 5.5A
- Withstanding Voltage: 132 KV
- Operating temperature: -40°C to +115°C
- Soldering temperature: 260°C ±5°C/5 Sec
- Safety Approval:

Dim A=(N/2-1)×3.5+5.0	
Dim B=(N/2-1)×3.5	
Dim C=(N/2-1)×3.5	
N=Number of poles	
POLES	Tolerance
2x2p-2x6p	±0.15
2x7p-2x12p	±0.20
2x13p-2x18p	±0.25
2x19p-2x24p	±0.30

PART NO.: KE xx 1 1 x 0 A0J0 G

Solid block	0	Black (RAL9005)	RoHS compliant (lead<4%) In copper Alloy
No. of poles	2	Red (RAL3001/D)	
Color	3	Orange(RAL2011/P)	
04 2x2poles	4	Yellow(RAL1018/A)	
06 2x3poles	5	Green(RAL6018/T)	
... ..	6	Blue (RAL5015/A)	
48 2x24poles	8	Grey(RAL7035/D)	
	9	White(RAL1102)	
	C	Green(RAL6018/U)	

mat'l. code		surface ASME Y14.5	tolerance ASME Y14.5	projection 	product family TERMINAL BLOCK
ltr	ecn no	dr	date	tolerances unless otherwise specified	title TERMINAL BLOCK PLUGGABLE SOCKET, CLOSE VERTICAL
				angles $X \pm 0.5$ $X.X \pm 0.3$ $X^{\circ} \pm 1^{\circ}$ $X.XX \pm 0.1$	
				scale MM	dwg no KExx11x0A0J0G sheet 1 of 1 size A4
				FCI logo	
		dr	EVIN ZHONG	042314	type CUSTOMER Drawing
		enrg	EVIN ZHONG	042314	
		chr	HANKE FENG	042314	
		appd	SHI JUN	042314	
sheet index	revision sheet	A	1		