



Chipsmall Limited consists of a professional team with an average of over 10 year of expertise in the distribution of electronic components. Based in Hongkong, we have already established firm and mutual-benefit business relationships with customers from,Europe,America and south Asia,supplying obsolete and hard-to-find components to meet their specific needs.

With the principle of “Quality Parts,Customers Priority,Honest Operation,and Considerate Service”,our business mainly focus on the distribution of electronic components. Line cards we deal with include Microchip,ALPS,ROHM,Xilinx,Pulse,ON,Everlight and Freescale. Main products comprise IC,Modules,Potentiometer,IC Socket,Relay,Connector.Our parts cover such applications as commercial,industrial, and automotives areas.

We are looking forward to setting up business relationship with you and hope to provide you with the best service and solution. Let us make a better world for our industry!



Contact us

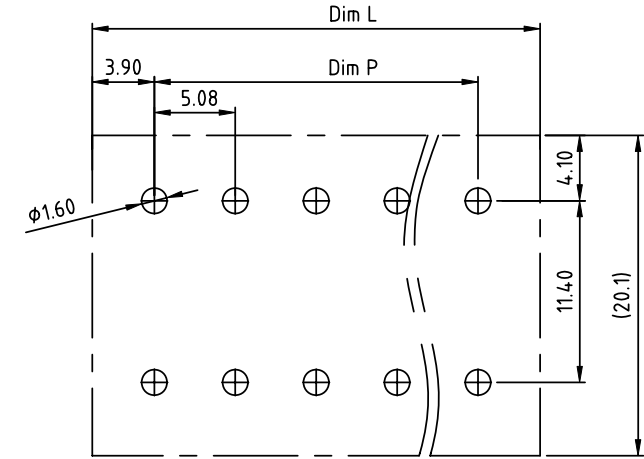
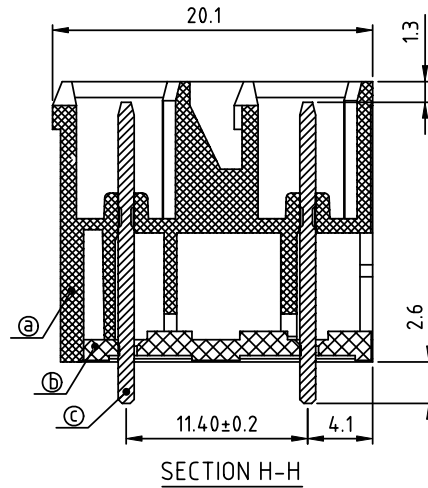
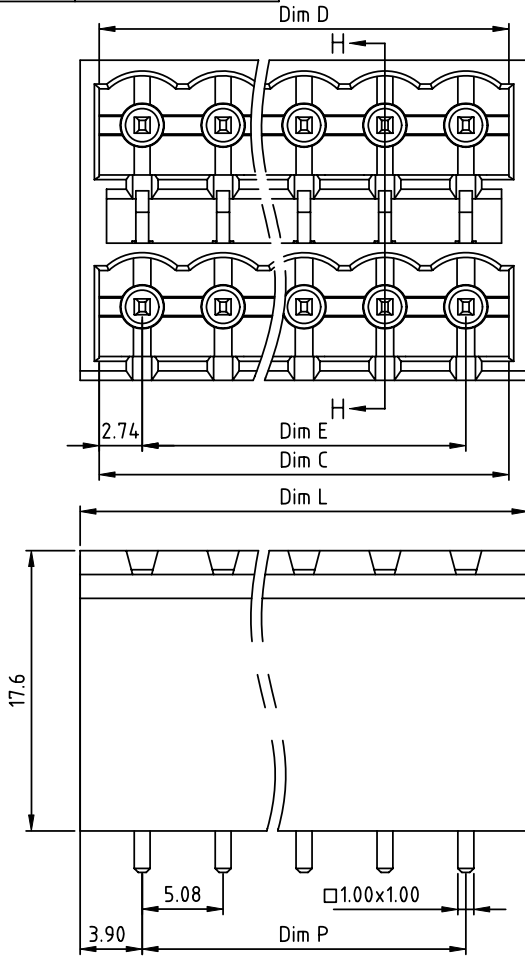
Tel: +86-755-8981 8866 Fax: +86-755-8427 6832

Email & Skype: info@chipsmall.com Web: www.chipsmall.com

Address: A1208, Overseas Decoration Building, #122 Zhenhua RD., Futian, Shenzhen, China



PRODUCT NUMBER	PITCH
KExx51x200J0G	5.08 mm



RECOMMENDED P.C.B LAYOUT
TOP VIEW

Material:

- Item ① Terminal(housing): Thermoplastic (UL94 V-0)
- Item ② Terminal(cover): Thermoplastic (UL94 V-0)
- Item ③ Pin: Copper Tin plated

Electrical:

- Voltage rating: 300V
- Current rating: 12A
- Withstanding Voltage: 1.6KV
- Operating temperature: -40°C to +115°C
- Soldering temperature: 260°C±5°C/5 Sec
- Safety Approval: cULus

PART NO.: KE xx 5 1 x 2 00J0 G

N=Number of poles Dim C=(N/2-1)x5.08+5.48
 Dim L=N/2x5.08+2.72 Dim D=(N/2-1)x5.08+5.48
 Dim P=(N/2-1)x5.08 Dim E=(N/2-1)x5.08

Poles	Dim L	Dim P	Dim C	Dim D	Dim E
2x2P-2x6P	±0.15	±0.15	+0.05 -0.05	+0.05 -0.05	±0.15
2x7P-2x12P	±0.25	±0.25	+0.10 -0.05	+0.10 -0.05	±0.25
2x13P-2x18P	±0.35	±0.35	+0.20 -0.05	+0.20 -0.05	±0.35
2x19P-2x24P	±0.40	±0.40	+0.25 -0.10	+0.25 -0.10	±0.40

- Solid block
- No. of poles
- Color
- RoHS compliant (lead<4%) In copper Alloy
- 0 Black (RAL9005)
- 2 Red (RAL3001/D)
- 3 Orange(RAL2011/P)
- 4 Yellow(RAL1018/A)
- 5 Green(RAL6018/T)
- 6 Blue (RAL5015/A)
- 8 Grey(RAL7035/D)
- 9 White(RAL1102)
- C Green(RAL6018/U)

mat'l. code		surface ASME Y14.5	tolerance ASME Y14.5	projection	product family TERMINAL BLOCK	
ltr	ecn no	dr	date	 MM	title	
					TERMINAL BLOCK	
				 scale	PLUGGABLE SOCKET,CLOSE VERTICAL	
					TERMINAL BLOCK	
					dwg no	
					sheet 1 of 1	
					size	
					A4	
				type		
				CUSTOMER Drawing		
sheet index	revision	A	1			