



Chipsmall Limited consists of a professional team with an average of over 10 year of expertise in the distribution of electronic components. Based in Hongkong, we have already established firm and mutual-benefit business relationships with customers from,Europe,America and south Asia,supplying obsolete and hard-to-find components to meet their specific needs.

With the principle of “Quality Parts,Customers Priority,Honest Operation,and Considerate Service”,our business mainly focus on the distribution of electronic components. Line cards we deal with include Microchip,ALPS,ROHM,Xilinx,Pulse,ON,Everlight and Freescale. Main products comprise IC,Modules,Potentiometer,IC Socket,Relay,Connector.Our parts cover such applications as commercial,industrial, and automotives areas.

We are looking forward to setting up business relationship with you and hope to provide you with the best service and solution. Let us make a better world for our industry!



Contact us

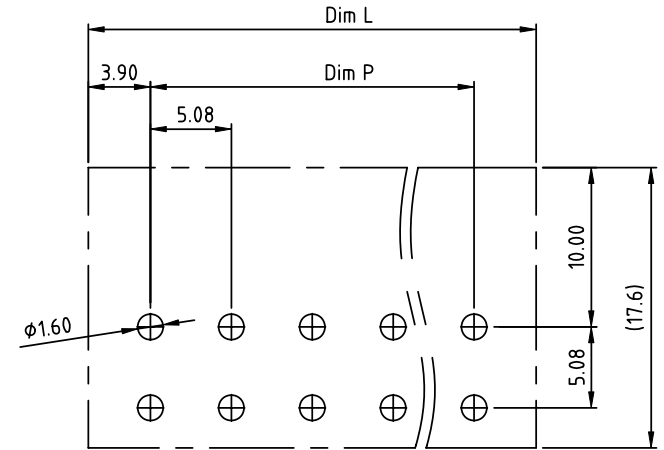
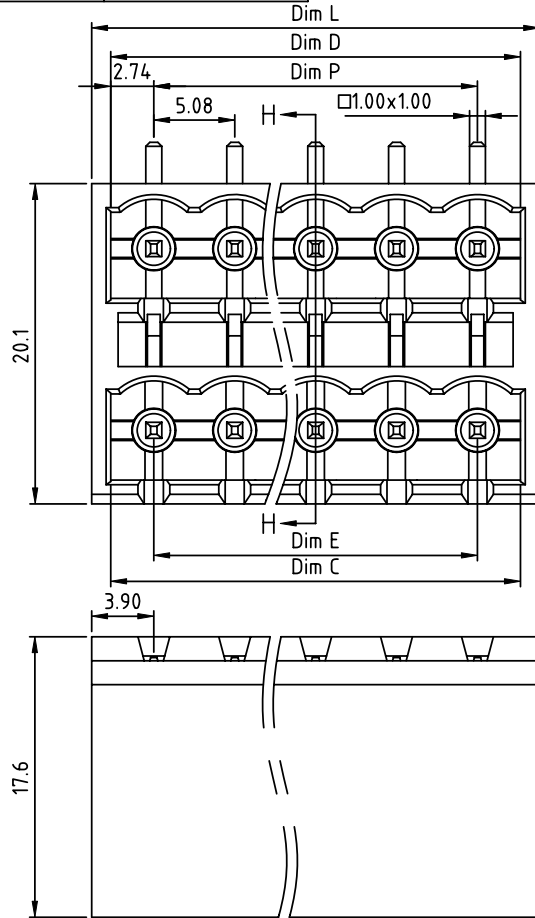
Tel: +86-755-8981 8866 Fax: +86-755-8427 6832

Email & Skype: info@chipsmall.com Web: www.chipsmall.com

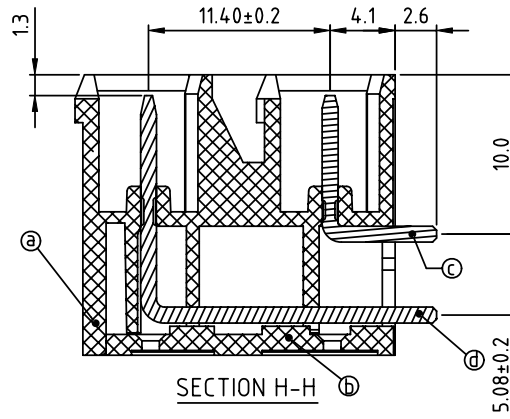
Address: A1208, Overseas Decoration Building, #122 Zhenhua RD., Futian, Shenzhen, China



PRODUCT NUMBER	PITCH
KExx51x300J0G	5.08 mm



RECOMMENDED P.C.B LAYOUT
TOP VIEW



SECTION H-H

Material:

- Item①Terminal(housing): Thermoplastic (UL94 V-0)
- Item②Terminal(cover): Thermoplastic (UL94 V-0)
- Item③Short pin: Copper Tin plated
- Item④Long pin: Copper Tin plated

Electrical:

- Voltage rating: 300V
- Current rating: 12A
- Withstanding Voltage: 1.6KV
- Operating temperature: -40°C to +115°C
- Soldering temperature: 260°C±5°C/5 Sec
- Safety Approval: cULus

PART NO.: KE xx 5 1 x 3 00J 0 G

N=Number of poles Dim C=(N/2-1)×5.08+5.48
 Dim L=N/2×5.08+2.72 Dim D=(N/2-1)×5.08+5.48
 Dim P=(N/2-1)×5.08 Dim E=(N/2-1)×5.08

Poles	Dim L	Dim P	Dim C	Dim D	Dim E
2×2P-2×6P	±0.15	±0.15	+0.05 -0.05	+0.05 -0.05	±0.15
2×7P-2×12P	±0.25	±0.25	+0.10 -0.05	+0.10 -0.05	±0.25
2×13P-2×18P	±0.35	±0.35	+0.20 -0.05	+0.20 -0.05	±0.35
2×19P-2×24P	±0.40	±0.40	+0.25 -0.10	+0.25 -0.10	±0.40

Solid block	No. of poles	Color	RoHS compliant (lead<4%) In copper Alloy
0	2	Black (RAL9005)	
2	3	Red (RAL3001/D)	
3	4	Orange(RAL2011/P)	
4	5	Yellow(RAL1018/A)	
5	6	Green(RAL6018/T)	
6	8	Blue (RAL5015/A)	
8	9	Grey(RAL7035/D)	
9	9	White(RAL1102)	
C		Green(RAL6018/U)	

mat'l. code		surface ASME Y14.5	tolerance ASME Y14.5	projection	product family TERMINAL BLOCK
ltr	ecn no	dr	date	tolerances unless otherwise specified	title
				angles X°±1'	TERMINAL BLOCK
				scale	PLUGGABLE SOCKET,CLOSE RIGHT ANGLE
		dr	EVIN ZHONG	042414	dwg no
		enrg	EVIN ZHONG	042414	sheet 1 of 1
		chr	HANKE FENG	042414	size
		appd	SHI JUN	042414	A4
sheet index	revision sheet	A	1		type CUSTOMER Drawing