



Chipsmall Limited consists of a professional team with an average of over 10 year of expertise in the distribution of electronic components. Based in Hongkong, we have already established firm and mutual-benefit business relationships with customers from,Europe,America and south Asia,supplying obsolete and hard-to-find components to meet their specific needs.

With the principle of "Quality Parts,Customers Priority,Honest Operation,and Considerate Service",our business mainly focus on the distribution of electronic components. Line cards we deal with include Microchip,ALPS,ROHM,Xilinx,Pulse,ON,Everlight and Freescale. Main products comprise IC,Modules,Potentiometer,IC Socket,Relay,Connector.Our parts cover such applications as commercial,industrial, and automotives areas.

We are looking forward to setting up business relationship with you and hope to provide you with the best service and solution. Let us make a better world for our industry!



Contact us

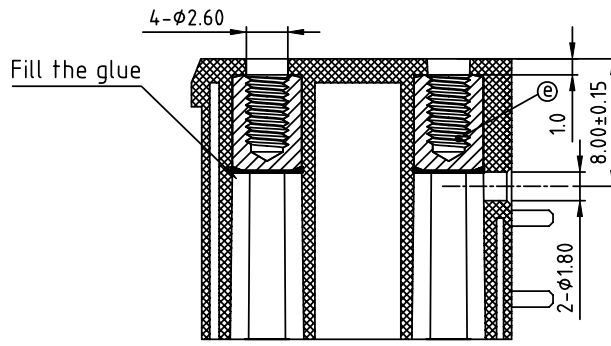
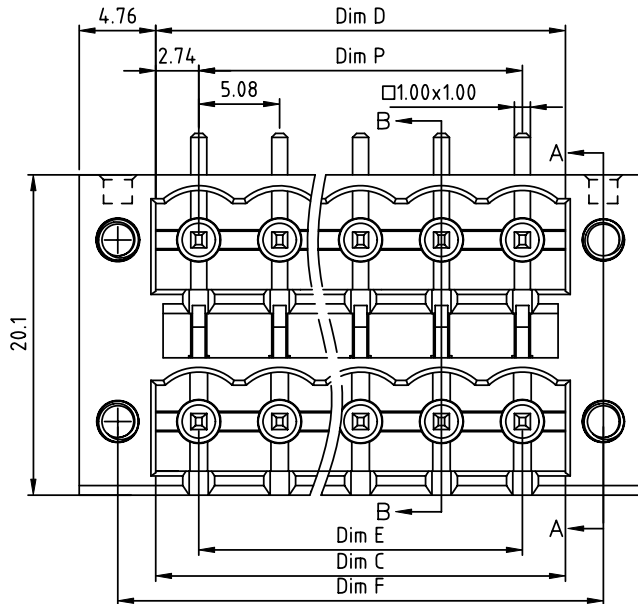
Tel: +86-755-8981 8866 Fax: +86-755-8427 6832

Email & Skype: info@chipsmall.com Web: www.chipsmall.com

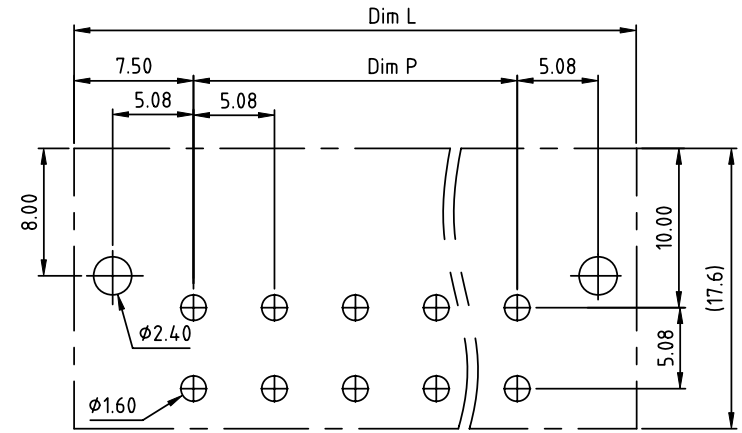
Address: A1208, Overseas Decoration Building, #122 Zhenhua RD., Futian, Shenzhen, China



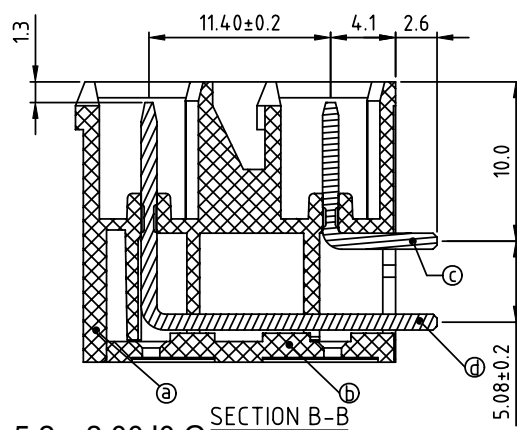
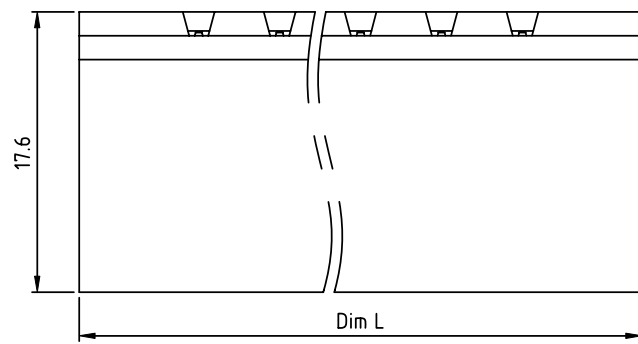
PRODUCT NUMBER	PITCH
KExx52x300J0G	5.08 mm



SECTION A-A



RECOMMENDED P.C.B LAYOUT
TOP VIEW



SECTION B-B

- Material:
- Item ① Terminal(housing): Thermoplastic (UL94 V-0)
 - Item ② Terminal(cover): Thermoplastic (UL94 V-0)
 - Item ③ Short pin: Copper Tin plated
 - Item ④ Long pin: Copper Tin plated
 - Item ⑤ With flange nut: Brass M2.5
- Electrical:
- Voltage rating: 300V
 - Current rating: 12A
 - Withstanding Voltage: 1.6KV
 - Operating temperature: -40°C to +115°C
 - Soldering temperature: 260°C±5°C/5 Sec
 - Safety Approval: us

PART NO.: KE xx 5 2 x 3 00J 0 G

N=Number of poles
 Dim L=(N/2+1)×5.08+4.84 Dim D=(N/2-1)×5.08+5.48
 Dim P=(N/2-1)×5.08 Dim E=(N/2-1)×5.08
 Dim C=(N/2-1)×5.08+5.48 Dim F=(N/2-1)×5.08+10.16

Poles	Dim L	Dim P	Dim C	Dim D	Dim E	Dim F
2×2P-2×6P	±0.15	±0.15	+0.05 -0.05	+0.05 -0.05	±0.15	±0.15
2×7P-2×12P	±0.25	±0.25	+0.10 -0.05	+0.10 -0.05	±0.25	±0.25
2×13P-2×18P	±0.35	±0.35	+0.20 -0.05	+0.20 -0.05	±0.35	±0.35
2×19P-2×24P	±0.40	±0.40	+0.25 -0.10	+0.25 -0.10	±0.40	±0.40

- Solid block 0 Black (RAL9005) RoHS compliant (lead<4%)
 No. of poles 2 Red (RAL3001/D) In copper Alloy
 04 2x2poles 3 Orange(RAL2011/P)
 06 2x3poles 4 Yellow(RAL1018/A)
 ... 5 Green(RAL6018/T)
 48 2x24poles 6 Blue (RAL5015/A)
 7 Grey(RAL7035/D)
 8 White(RAL1102)
 9 White(RAL1102)
 C Green(RAL6018/U)

mat'l. code		surface ASME Y14.5	tolerance ASME Y14.5	projection	product family
ltr	ecn no dr date	tolerances unless otherwise specified			TERMINAL BLOCK
		angles	X.±0.5	MM	title
		φ	X.X±0.3		TERMINAL BLOCK
		X*±1°	X.XX±0.1	scale	PLUGGABLE SOCKET,RIGHT ANGLE,WITH FLANGE
		dr	EVIN ZHONG 042414		dwg no
		enrg	EVIN ZHONG 042414		sheet 1 of 1 size
		chr	HANKE FENG 042414		KExx52x300J0G
		appd	SHI JUN 042414		A4
sheet index	revision sheet	A			type
		1			CUSTOMER Drawing