



Chipsmall Limited consists of a professional team with an average of over 10 year of expertise in the distribution of electronic components. Based in Hongkong, we have already established firm and mutual-benefit business relationships with customers from,Europe,America and south Asia,supplying obsolete and hard-to-find components to meet their specific needs.

With the principle of “Quality Parts,Customers Priority,Honest Operation,and Considerate Service”,our business mainly focus on the distribution of electronic components. Line cards we deal with include Microchip,ALPS,ROHM,Xilinx,Pulse,ON,Everlight and Freescale. Main products comprise IC,Modules,Potentiometer,IC Socket,Relay,Connector.Our parts cover such applications as commercial,industrial, and automotives areas.

We are looking forward to setting up business relationship with you and hope to provide you with the best service and solution. Let us make a better world for our industry!



Contact us

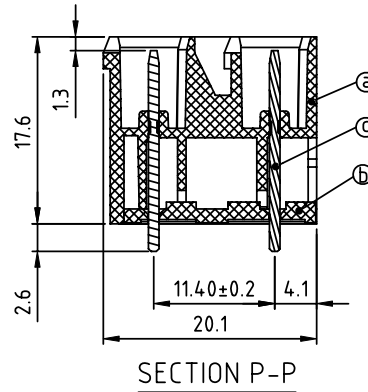
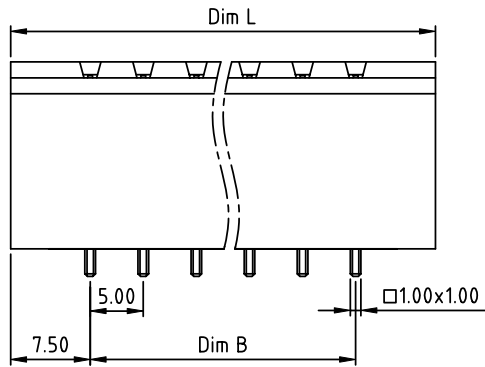
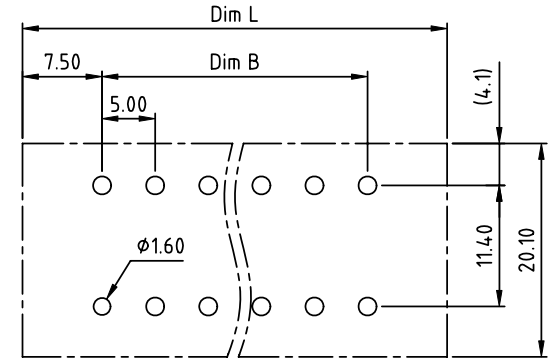
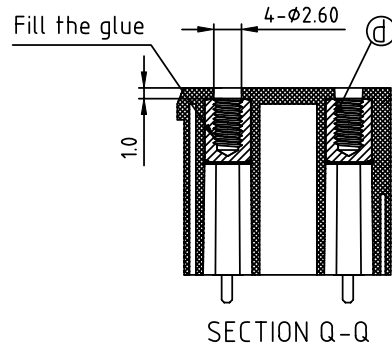
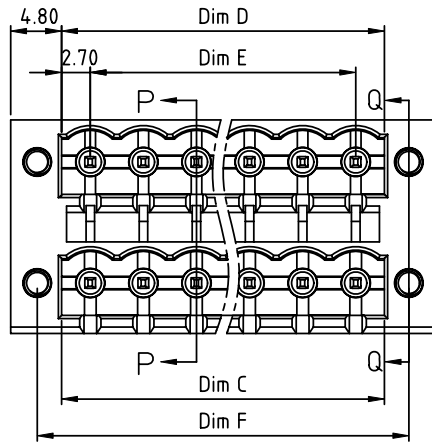
Tel: +86-755-8981 8866 Fax: +86-755-8427 6832

Email & Skype: info@chipsmall.com Web: www.chipsmall.com

Address: A1208, Overseas Decoration Building, #122 Zhenhua RD., Futian, Shenzhen, China



PRODUCT NUMBER	PITCH
KExx72x200J0G	5.00 mm



- Material:
- Item ① Terminal(housing): Thermoplastic (UL94V-0)
 - Item ② Terminal(cover): Thermoplastic (UL94V-0)
 - Item ③ Pin: Copper Tin plated
 - Item ④ With flange nut: Brass M2.5
- Electrical: cULus
- Voltage rating: 300V
 - Current rating: 12A
 - Withstanding Voltage: 1.6KV
 - Operating temperature: -40°C to +115°C
 - Soldering temperature: 260°C±5°C/5 Sec
 - Safety Approval:

PART NO.: KE xx 7 2 x 2 00J0 G

N=Number of poles
 Dim L=(N/2+2)×5.0 Dim D=(N/2-1)×5.0+5.4
 Dim B=(N/2-1)×5.0 Dim E=(N/2-1)×5.0
 Dim C=(N/2-1)×5.0+5.4 Dim F=(N/2-1)×5.0+10.0

Poles	Dim L	Dim B	Dim C	Dim D	Dim E	Dim F
2×2P-2×6P	±0.15	±0.15	+0.05 -0.05	+0.05 -0.05	±0.15	±0.15
2×7P-2×12P	±0.25	±0.25	+0.10 -0.05	+0.10 -0.05	±0.25	±0.25
2×13P-2×18P	±0.35	±0.35	+0.20 -0.05	+0.20 -0.05	±0.35	±0.35
2×19P-2×24P	±0.40	±0.40	+0.25 -0.10	+0.25 -0.10	±0.40	±0.40

	Solid block	No. of poles	Color	RoHS compliant (lead<4%) In copper Alloy
04	2x2poles	2	Black (RAL9005)	
06	2x3poles	3	Red (RAL3001/D)	
...	...	4	Orange(RAL2011/P)	
48	2x24poles	4	Yellow(RAL1018/A)	
		5	Green(RAL6018/T)	
		6	Blue (RAL5015/A)	
		8	Grey(RAL7035/D)	
		9	White(RAL1102)	
		C	Green(RAL6018/U)	

mat'l. code		surface ASME Y14.5	tolerance ASME Y14.5	projection	product family
ltr	ecn no	dr	date		TERMINAL BLOCK
tolerances unless otherwise specified				MM	title
angles				scale	TERMINAL BLOCK
X°±1'					PLUGGABLE SOCKET, VERTICAL, WITH FLANGE
dr	EVIN ZHONG	042414			dwg no
enr	EVIN ZHONG	042414			sheet 1 of 1
chr	HANKE FENG	042414			size
appd	SHI JUN	042414			A4
sheet index	revision	A			type
	sheet	1			CUSTOMER Drawing