



Chipsmall Limited consists of a professional team with an average of over 10 year of expertise in the distribution of electronic components. Based in Hongkong, we have already established firm and mutual-benefit business relationships with customers from,Europe,America and south Asia,supplying obsolete and hard-to-find components to meet their specific needs.

With the principle of “Quality Parts,Customers Priority,Honest Operation,and Considerate Service”,our business mainly focus on the distribution of electronic components. Line cards we deal with include Microchip,ALPS,ROHM,Xilinx,Pulse,ON,Everlight and Freescale. Main products comprise IC,Modules,Potentiometer,IC Socket,Relay,Connector.Our parts cover such applications as commercial,industrial, and automotives areas.

We are looking forward to setting up business relationship with you and hope to provide you with the best service and solution. Let us make a better world for our industry!



## Contact us

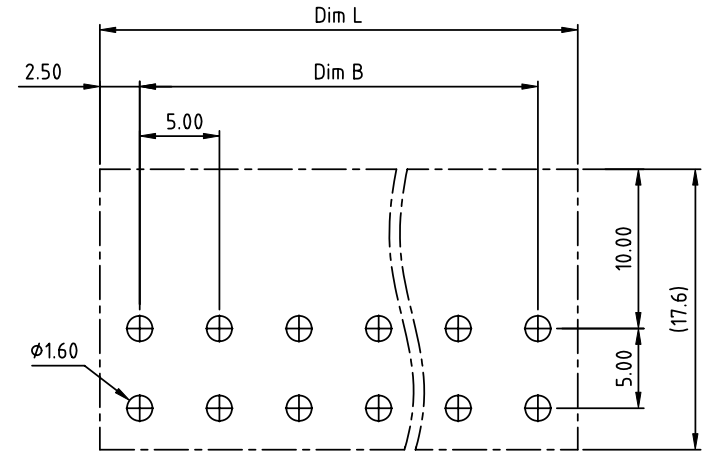
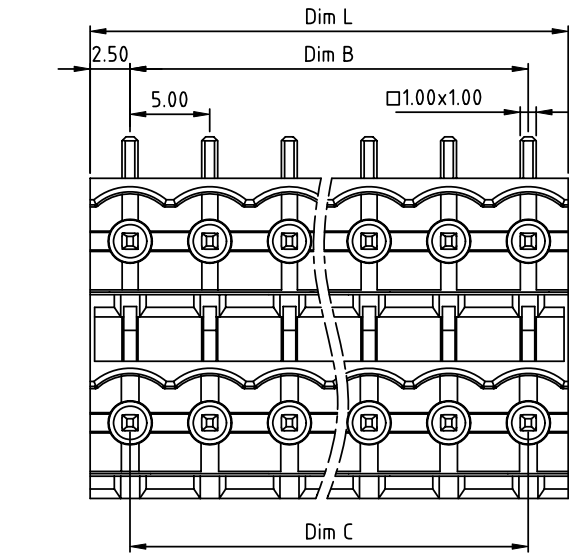
Tel: +86-755-8981 8866 Fax: +86-755-8427 6832

Email & Skype: info@chipsmall.com Web: www.chipsmall.com

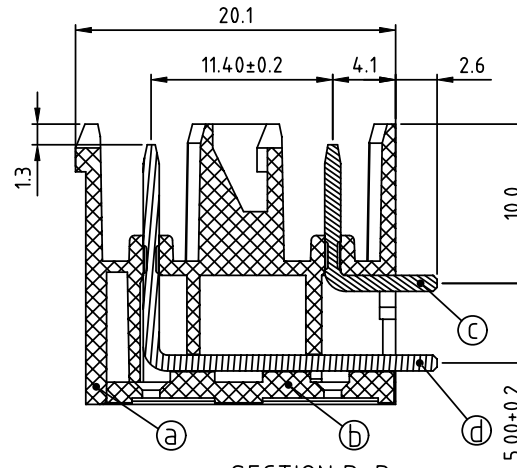
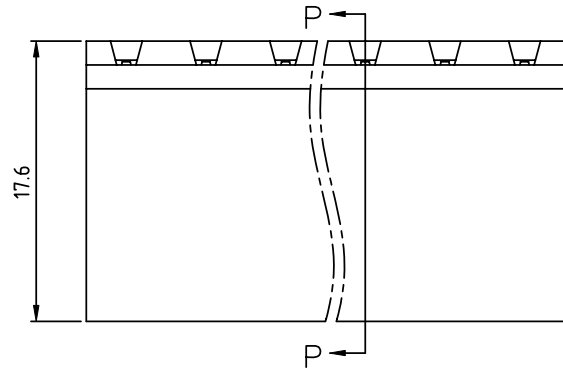
Address: A1208, Overseas Decoration Building, #122 Zhenhua RD., Futian, Shenzhen, China



PRODUCT NUMBER	PITCH
KExx74x300J0G	5.00 mm



RECOMMENDED P.C.B LAYOUT  
TOP VIEW



SECTION P-P

Material:

- Item ① Terminal(housing): Thermoplastic (UL94V-0)
- Item ② Terminal(cover): Thermoplastic (UL94V-0)
- Item ③ Short pin: Copper Tin plated
- Item ④ Long pin: Copper Tin plated

Electrical:

- Voltage rating: 300V
- Current rating: 12A
- Withstanding Voltage: 1.6KV
- Operating temperature: -40°C to +115°C
- Soldering temperature: 260°C±5°C/5 Sec
- Safety Approval:

N=Number of poles  
Dim L=N/2×5.0  
Dim B=(N/2-1)×5.0  
Dim C=(N/2-1)×5.0

Poles	Tolerance
2×2P-2×6P	±0.15
2×7P-2×12P	±0.25
2×13P-2×18P	±0.35
2×19P-2×24P	±0.40

PART NO.: KE xx 7 4 x 3 00J0 G

- Solid block
- No. of poles
- Color
- RoHS compliant (lead<4% In copper Alloy)
- 0 Black (RAL9005)
- 2 Red (RAL3001/D)
- 3 Orange(RAL2011/P)
- 4 Yellow(RAL1018/A)
- 5 Green(RAL6018/T)
- 6 Blue (RAL5015/A)
- 8 Grey(RAL7035/D)
- 9 White(RAL1102)
- C Green(RAL6018/U)

mat'l. code		surface ASME Y14.5	tolerance ASME Y14.5	projection	product family
ltr ecn no dr date		tolerances unless otherwise specified			TERMINAL BLOCK
		angles	X.±0.5	MM	title
		fil	X.X±0.3		TERMINAL BLOCK
		X°±1°	X.XX±0.1	scale	PLUGGABLE SOCKET, OPEN RIGHT ANGLE
		dr	EVIN ZHONG 042414		dwg no
		enr	EVIN ZHONG 042414		sheet 1 of 1
		chr	HANKE FENG 042414		size
		appd	SHI JUN 042414		A4
sheet index	revision sheet	A			type CUSTOMER Drawing