



Chipsmall Limited consists of a professional team with an average of over 10 year of expertise in the distribution of electronic components. Based in Hongkong, we have already established firm and mutual-benefit business relationships with customers from,Europe,America and south Asia,supplying obsolete and hard-to-find components to meet their specific needs.

With the principle of "Quality Parts,Customers Priority,Honest Operation,and Considerate Service",our business mainly focus on the distribution of electronic components. Line cards we deal with include Microchip,ALPS,ROHM,Xilinx,Pulse,ON,Everlight and Freescale. Main products comprise IC,Modules,Potentiometer,IC Socket,Relay,Connector.Our parts cover such applications as commercial,industrial, and automotives areas.

We are looking forward to setting up business relationship with you and hope to provide you with the best service and solution. Let us make a better world for our industry!



Contact us

Tel: +86-755-8981 8866 Fax: +86-755-8427 6832

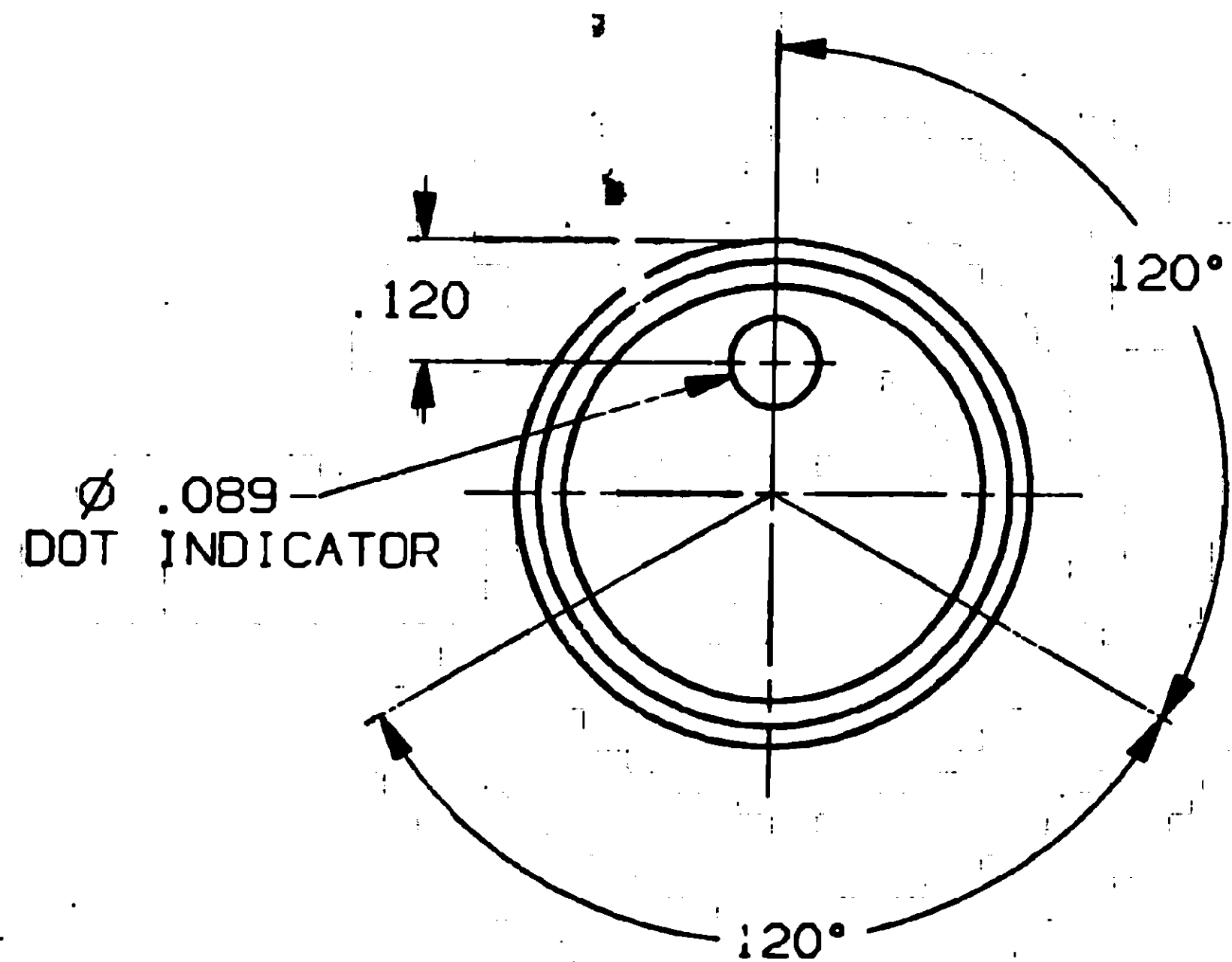
Email & Skype: info@chipsmall.com Web: www.chipsmall.com

Address: A1208, Overseas Decoration Building, #122 Zhenhua RD., Futian, Shenzhen, China



CONVERSION CHART

INCH	MM
.012	0.30
.020	0.51
.025	0.64
.089	2.26
.120	3.05
.126	3.21
.129	3.27
.150	3.81
.157	3.99
.251	6.38
.254	6.45
.256	6.50
.382	9.70
.500	12.70
.512	13.00
.625	15.88
.630	16.00
.740	18.80
.787	19.99
.937	23.80
1.062	26.97
1.250	31.75



MODEL NO.	A DIA.	B DIA.	C DIA.
KE-500AB-1/8	.500	.126/.129	.382
KE-500AB-1/4	.500	.251/.254	.382
KE-700AB-1/4	.740	.251/.254	.630
KE-900AB-1/4	.937	.251/.254	.787
KE-1250AB-1/4	1.250	.251/.254	1.062

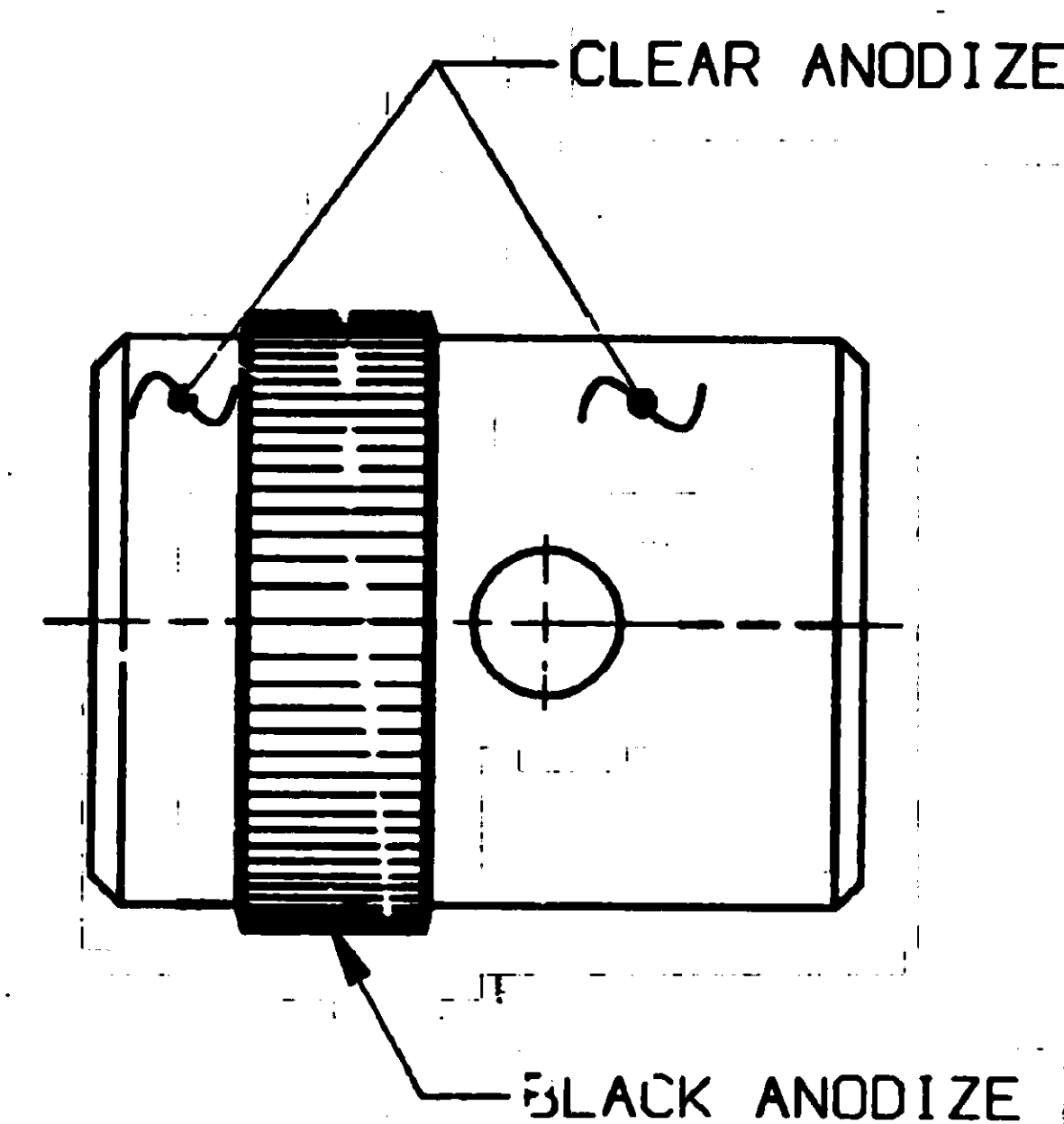
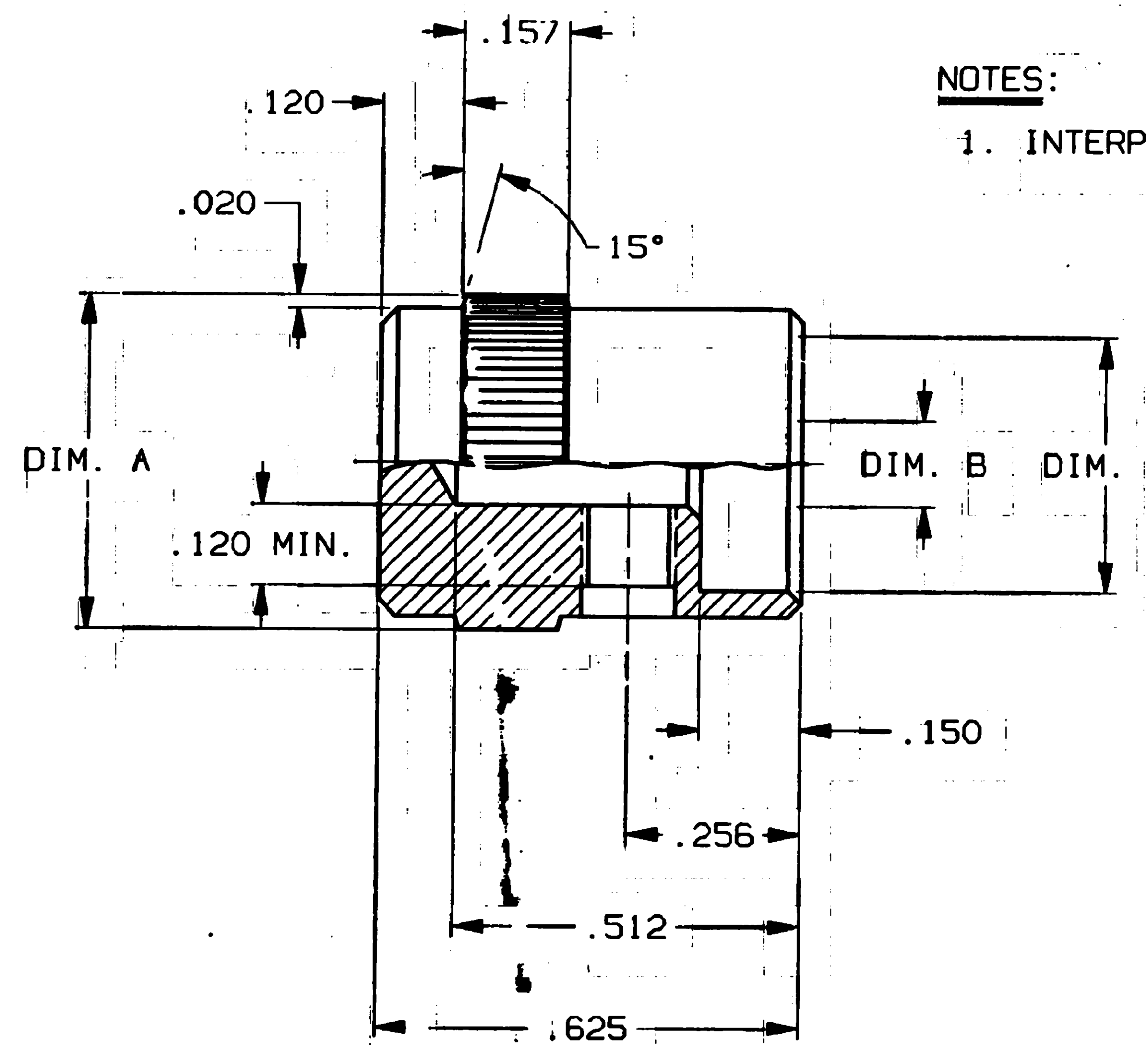
KE-500AB-1/8 AS SHOWN

SPECIFICATIONS:

MATERIALS: ALUMINUM
 FINISH: ANODIZED
 SET SCREW: #6-32 UNC-2A
 STAINLESS STEEL

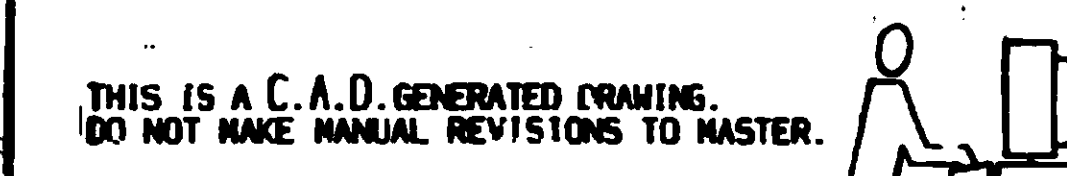
NOTES:

1. INTERPRET DRAWING PER ASME Y14.5M 1994.



OUTLINE DRAWING
 SPECIFICATIONS ARE SUBJECT TO CHANGES WITHOUT NOTICE

THIS IS A C.A.D. GENERATED DRAWING.
 DO NOT MAKE MANUAL REVISIONS TO MASTER.



AUGAT JOHN DIETSCH BLVD.
 ATLEBORO FALLS, MASS. 02763

TITLE: **OUTLINE DRAWING**
 ALUMINUM KNOB
 DUAL ANODIZED

QWC NO. 80053 REV. 0

PRODUCT CODE: M11 SCALE: SHEET 1 OF 1



TOLERANCES (EXCEPT AS NOTED)
 ANGULAR = ±.01 (NON-CUMULATIVE)
 DECIMAL .XX
 DECIMAL .XXX
 DECIMAL .XXXX

ALL AT CONFIDENTIAL
 This document contains information which is the exclusive property of Augat Inc.
 Distribution, reproduction or use by others is not permitted without the expressed written consent of Augat Inc.

UNLESS OTHERWISE SPECIFIED DIMENSIONS ARE IN INCHES DO NOT SCALE PRINT

FILE NAME: B453001 DIRECTORY: KNOBS
 MATERIAL: SEE SPECIFICATIONS
 FINISH: SEE SPECIFICATIONS

ORIGINAL DATE OF DRAWING: 10-13-95
 DRAWN: S. KIRCORIAN DATE: 10-13-95
 CHECKED: DATE:
 APPROVED: P. Hagan DATE: 10-30-95
 CODE IDENT. NO. 91506
 QWC SIZE C
 NEXT ASSY:

REV 0
 INITIAL RELEASE
 ESR#A6989
 SEK 10-13-95
 APP'D: J. Hagan

REVISIONS
 INITIAL RELEASE
 ESR#A6989
 SEK 10-13-95
 APP'D: J. Hagan

PROPERTY OF TYCO ELECTRONICS CORPORATION, MAY 13 2002
 CUSTOMER DWG: 7-1437631-0 REV. 99 PG. 1 OF 1