



Chipsmall Limited consists of a professional team with an average of over 10 year of expertise in the distribution of electronic components. Based in Hongkong, we have already established firm and mutual-benefit business relationships with customers from,Europe,America and south Asia,supplying obsolete and hard-to-find components to meet their specific needs.

With the principle of "Quality Parts,Customers Priority,Honest Operation,and Considerate Service",our business mainly focus on the distribution of electronic components. Line cards we deal with include Microchip,ALPS,ROHM,Xilinx,Pulse,ON,Everlight and Freescale. Main products comprise IC,Modules,Potentiometer,IC Socket,Relay,Connector.Our parts cover such applications as commercial,industrial, and automotives areas.

We are looking forward to setting up business relationship with you and hope to provide you with the best service and solution. Let us make a better world for our industry!



Contact us

Tel: +86-755-8981 8866 Fax: +86-755-8427 6832

Email & Skype: info@chipsmall.com Web: www.chipsmall.com

Address: A1208, Overseas Decoration Building, #122 Zhenhua RD., Futian, Shenzhen, China



Trapped Key Exchange Units

- A range of off the shelf units in various combinations
- 316 Stainless steel construction
- Primary key(s) in, release secondary keys simultaneously on units up to 6 way
- Weatherproof stainless steel dust cap as standard
- Conforms to EN292, EN1088 & GS ET 19
- Can be used for group protection at access point to meet OSHA 1910.147 requirements



Specifications

| | |
|------------------------------|--|
| Ambient Temperature: | -40 to 200°C (-40 to 392°F) |
| Mechanical Operations: | >10 ⁵ |
| Max. Shear Force to Key: | 15.1 kN |
| Max. Torque to Key: | 14Nm |
| Relative Operating Humidity: | 25% to 95% |
| Material: | 316L stainless steel |
| Code Barrels: | Tested to 1,000,000 operations |
| Conforms to Standards: | Relevant clauses EN292 & EN1088 & GS ET 19 |

Specifications are subject to change without notice.

Dimensions

(mm/in.)

Figure 1

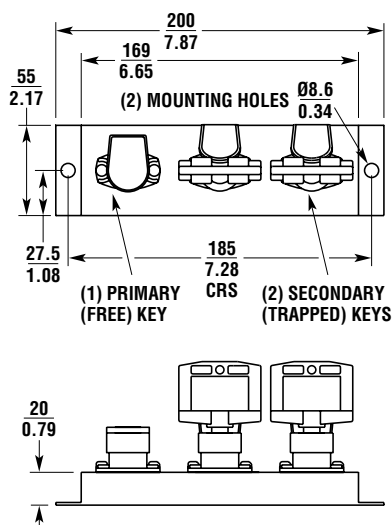
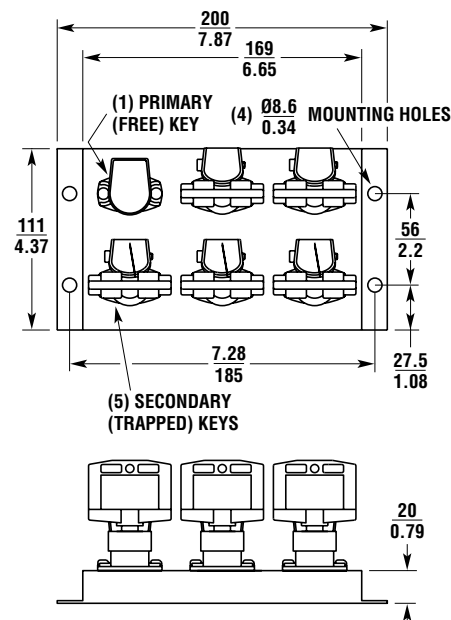


Figure 2

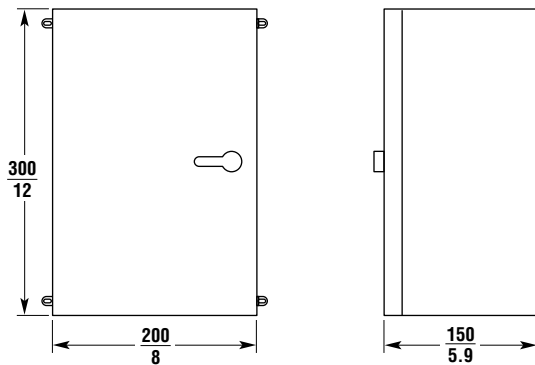


M

Dimensions (continued)

(mm/in.)

IPB30 Mild Steel Key Exchange Cabinet



Ordering

Key Exchange Units

| Part No. | Figure | No. of Keys | Keys In & Out |
|----------|--------|-------------|---------------|
| KEX 10 | 1 | 2 | 1 in; 1 out |
| KEX 11 | 1 | 3 | 1 in; 2 out |
| KEX 12 | 2 | 4 | 1 in; 3 out |
| KEX 13 | 2 | 5 | 1 in; 4 out |
| KEX 14 | 2 | 6 | 1 in; 5 out |

To specify coding, add the key code of your choice from the Key Code Table to the part number from the Ordering Table, i.e., KEX14(A,B) [5 x C] is a 6-way key exchange unit with primary 'A' key in and 5 secondary 'C' keys out. Key exchange cabinets can be supplied. **Primary keys must be ordered separately.**

Notes:

See price list for larger key exchange units.
Stainless steel box for key exchange units is optional. Contact Omron STI for required part number to complete order.

Key Codes

(...) = Primary key / key free

[...] = Secondary key / key trapped

| Codes | | | | | | |
|-------|----|----|----|----|----|----|
| A | Aa | Ab | Ac | Ad | Ae | Af |
| B | Ba | Bb | Bc | Bd | Be | Bf |
| C | Ca | Cb | Cc | Cd | Ce | Cf |
| D | Da | Db | Dc | Dd | De | Df |
| E | Ea | Eb | Ec | Ed | Ee | Ef |
| F | Fa | Fb | Fc | Fd | Fe | Ff |
| G | Ga | Gb | Gc | Gd | Ge | Gf |
| H | Ha | Hb | Hc | Hd | He | Hf |
| I | Ia | Ib | Ic | Id | Ie | If |
| J | Ja | Jb | Jc | Jd | Je | Jf |
| K | Ka | Kb | Kc | Kd | Ke | Kf |
| L | La | Lb | Lc | Ld | Le | Lf |
| M | Ma | Mb | Mc | Md | Me | Mf |
| N | Na | Nb | Nc | Nd | Ne | Nf |
| O | Oa | Ob | Oc | Od | Oe | Of |
| P | Pa | Pb | Pc | Pd | Pe | Pf |
| R | Ra | Rb | Rc | Rd | Re | Rf |
| S | Sa | Sb | Sc | Sd | Se | Sf |
| T | Ta | Tb | Tc | Td | Te | Tf |
| U | Ua | Ub | Uc | Ud | Ue | Uf |
| V | Va | Vb | Vc | Vd | Ve | Vf |
| W | Wa | Wb | Wc | Wd | We | Wf |
| X | Xa | Xb | Xc | Xd | Xe | Xf |
| Y | Ya | Yb | Yc | Yd | Ye | Yf |
| Z | Za | Zb | Zc | Zd | Ze | Zf |



For coding details and referencing, see page M5.



To order keys, see Accessories on page M30.

M

OMRON AUTOMATION AND SAFETY • THE AMERICAS HEADQUARTERS • Chicago, IL USA • 847.843.7900 • 800.556.6766 • www.omron247.com

OMRON CANADA, INC. • HEAD OFFICE

Toronto, ON, Canada • 416.286.6465 • 866.986.6766 • www.omron247.com

OMRON ELECTRONICS DE MEXICO • HEAD OFFICE

México DF • 52.55.59.01.43.00 • 01-800-226-6766 • mela@omron.com

OMRON ELECTRONICS DE MEXICO • SALES OFFICE

Apodaca, N.L. • 52.81.11.56.99.20 • 01-800-226-6766 • mela@omron.com

OMRON ELETRÔNICA DO BRASIL LTDA • HEAD OFFICE

São Paulo, SP, Brasil • 55.11.2101.6300 • www.omron.com.br

OMRON ARGENTINA • SALES OFFICE

Cono Sur • 54.11.4783.5300

OMRON CHILE • SALES OFFICE

Santiago • 56.9.9917.3920

OTHER OMRON LATIN AMERICA SALES

54.11.4783.5300

OMRON EUROPE B.V. • Wegalaan 67-69, NL-2132 JD, Hoofddorp, The Netherlands. • +31 (0) 23 568 13 00 • www.industrial.omron.eu

Authorized Distributor:

Automation Control Systems

- Machine Automation Controllers (MAC) • Programmable Controllers (PLC)
- Operator interfaces (HMI) • Distributed I/O • Software

Drives & Motion Controls

- Servo & AC Drives • Motion Controllers & Encoders

Temperature & Process Controllers

- Single and Multi-loop Controllers

Sensors & Vision

- Proximity Sensors • Photoelectric Sensors • Fiber-Optic Sensors
- Amplified Photomicrosensors • Measurement Sensors
- Ultrasonic Sensors • Vision Sensors

Industrial Components

- RFID/Code Readers • Relays • Pushbuttons & Indicators
- Limit and Basic Switches • Timers • Counters • Metering Devices
- Power Supplies

Safety

- Laser Scanners • Safety Mats • Edges and Bumpers • Programmable Safety Controllers • Light Curtains • Safety Relays • Safety Interlock Switches