



Chipsmall Limited consists of a professional team with an average of over 10 year of expertise in the distribution of electronic components. Based in Hongkong, we have already established firm and mutual-benefit business relationships with customers from,Europe,America and south Asia,supplying obsolete and hard-to-find components to meet their specific needs.

With the principle of “Quality Parts,Customers Priority,Honest Operation,and Considerate Service”,our business mainly focus on the distribution of electronic components. Line cards we deal with include Microchip,ALPS,ROHM,Xilinx,Pulse,ON,Everlight and Freescale. Main products comprise IC,Modules,Potentiometer,IC Socket,Relay,Connector.Our parts cover such applications as commercial,industrial, and automotives areas.

We are looking forward to setting up business relationship with you and hope to provide you with the best service and solution. Let us make a better world for our industry!



Contact us

Tel: +86-755-8981 8866 Fax: +86-755-8427 6832

Email & Skype: info@chipsmall.com Web: www.chipsmall.com

Address: A1208, Overseas Decoration Building, #122 Zhenhua RD., Futian, Shenzhen, China



Features

- Excellent Rejection
- Low Loss
- Excellent Return Loss

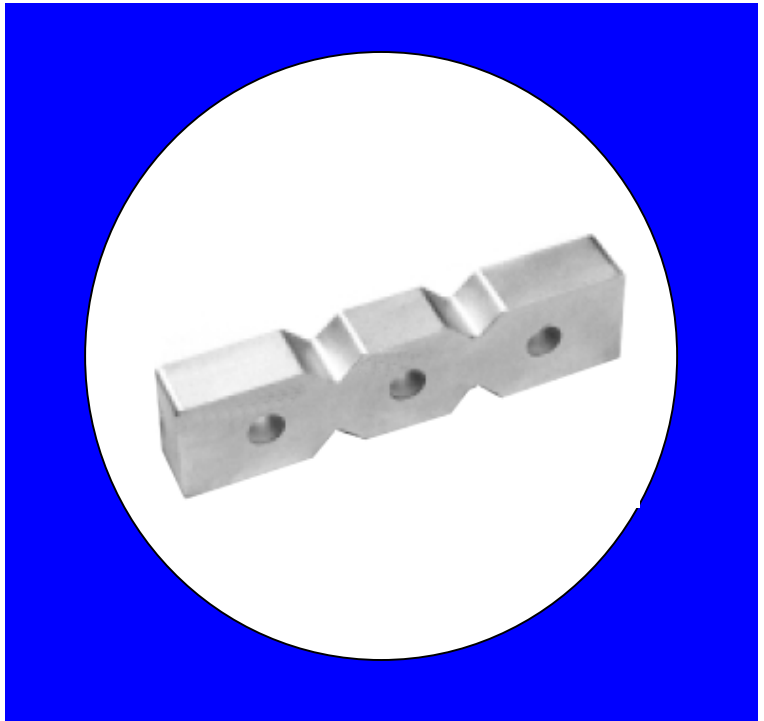
Description

Rugged mount, silver (Ag) coated ceramic filter. Developed for use in TCAS applications.

Weight: 72.7 grams typical

Material: Filter is composed of a ceramic block plated with Ag.

Filter complies with RoHS standards.



Electrical Specifications

Parameter	Frequency (MHz)	Typical @ 25°C	Spec. @ 25°C
Passband Insertion Loss	1033-1036	0.8 dB	2.0 dB max
Passband Return Loss	1033-1036	20.7 dB	12.0 dB min
Attenuation	835	70.0 dB	51.0 dB min
Attenuation	915	65.8 dB	46.0 dB min
Attenuation	975	49.8 dB	32.0 dB min
Attenuation	1005	31.6 dB	20.0 dB min
Attenuation	1013	23.0 dB	7.0 dB min
Attenuation	1056	22.5 dB	7.0 dB min
Attenuation	1064	30.5 dB	20.0 dB min
Attenuation	1094	47.0 dB	32.0 dB min
Attenuation	1154	60.4 dB	46.0 dB min
Attenuation	1234	60.7 dB	51.0 dB min
Power Rating			5W
Impedance			50 Ω

Note: Supplier shall test each filter to the critical electrical specifications of the above table. Any subsequent audits may deviate from in value due to measurement repeatability among different test systems. Such deviations shall not exceed the following limits:

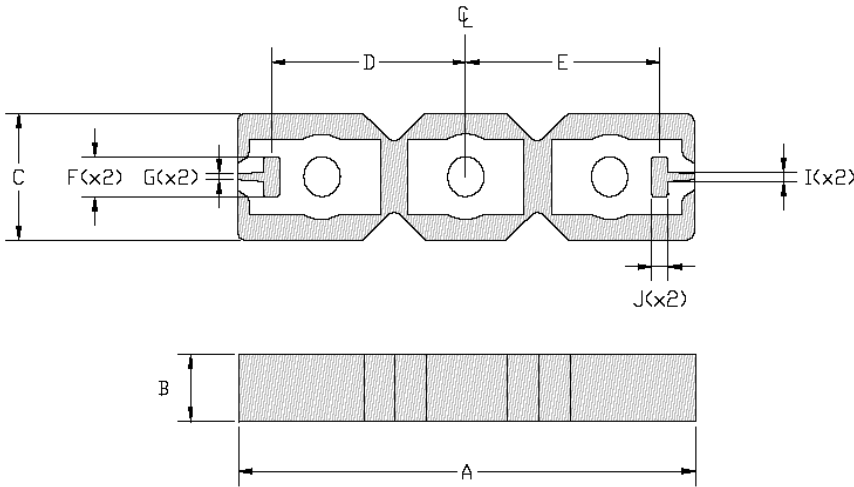
Specification Allowance	
Insertion Loss	0.1 dB
Return Loss	1.0 dB
Stopbands	1.0 dB

*This product is covered by one or more of the following U.S. and foreign patents including: US 4,692,726;US 4,742,562; US 4,800,348;US 4,829,274;US 5,146,193;EP 0573597;DE 0573597;FR 0573597;JP 508149/92;KR 142171;US 5,162,760;US 5,218,329;US 5,250,916;US 5,327,109;US 5,488,335;CA 2114029;FR 9306297;GB 2273393;JP 3205337;KR 115113;CN 93106228.4;US 5,512,866;EP 0706719;DE 0706719;FR 0706719;GB 0706719;CN 95190359.4;US 5,602,518;US 5,721,520;US 5,745,018;EP 0910875;DE 0910875;DK 0910875;FR 0910875;GB 0910875;IE 0910875;JP 505182/98;KR 10-323013;US 5,994,978;US 6,462,629;CN 00810420.4;US 6,559,735;US 6,650,202;US 6,834,429. Other US and foreign patents pending.

CTS Corporation 2006 reserves all copyrights in the layout, design and configuration of the patterns on this product.

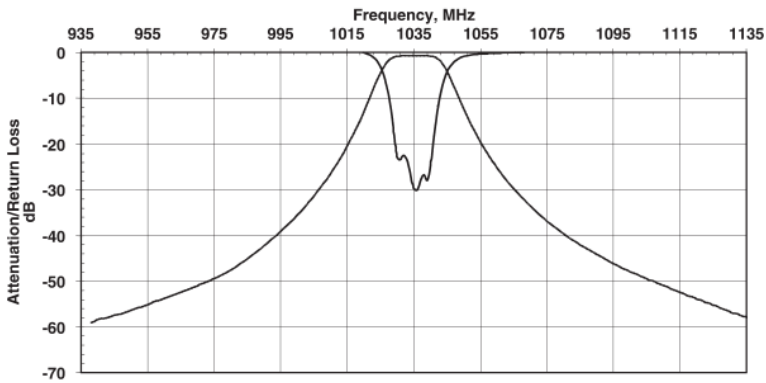
Mechanical Drawing

Rev 0 – Origin Date: July 11, 2005 – Revision Date: July 11, 2005

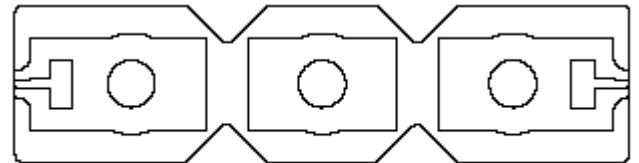


Dim	Nominal (mm)	Tolerance (mm) +/- or max
A	81.7	max
B	11.7	max
C	20.9	max
D	34.29	0.127
E	34.29	0.127
F	6.35	0.127
G	0.889	0.127
I	1.524	0.127
J	3.048	0.254

Electrical response



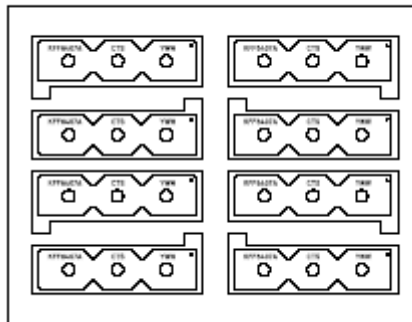
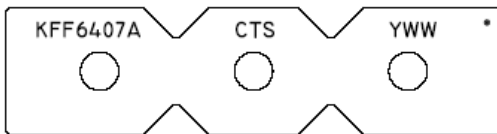
PCB Layout



MOUNTING VARIES BY INDIVIDUAL CUSTOMER.

Packaging and Marking

This product is shipped in pre-formed foam trays.



5 8 Slot Foam Trays
(40 max per box)