



Chipsmall Limited consists of a professional team with an average of over 10 year of expertise in the distribution of electronic components. Based in Hongkong, we have already established firm and mutual-benefit business relationships with customers from,Europe,America and south Asia,supplying obsolete and hard-to-find components to meet their specific needs.

With the principle of “Quality Parts,Customers Priority,Honest Operation,and Considerate Service”,our business mainly focus on the distribution of electronic components. Line cards we deal with include Microchip,ALPS,ROHM,Xilinx,Pulse,ON,Everlight and Freescale. Main products comprise IC,Modules,Potentiometer,IC Socket,Relay,Connector.Our parts cover such applications as commercial,industrial, and automotives areas.

We are looking forward to setting up business relationship with you and hope to provide you with the best service and solution. Let us make a better world for our industry!



Contact us

Tel: +86-755-8981 8866 Fax: +86-755-8427 6832

Email & Skype: info@chipsmall.com Web: www.chipsmall.com

Address: A1208, Overseas Decoration Building, #122 Zhenhua RD., Futian, Shenzhen, China



Ceramic Monoblock Duplex Filter

CTS

WIRELESS COMPONENTS

Model KFF6636A Technical Data

Features:

- Small Size
- High Performance
- SMD

Description and Applications:

This monoblock Duplexer filter is primarily designed for Cellular Band applications at 824-894 MHz.



Electrical Specifications

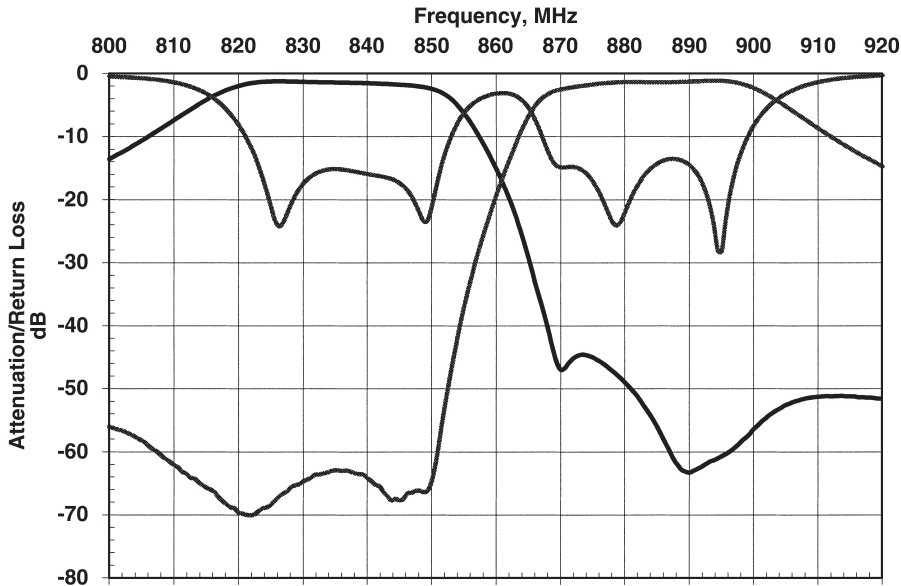
Antenna to TX Response	Frequency	Specifications @ 25° C
Insertion Loss	824 MHz to 849 MHz	2.4 dB max.
Return Loss		13.0 dB min.
Rejection @ RX Band	869 MHz to 894 MHz	43.0 dB min.
Antenna to RX Response	Frequency	Specifications @ 25° C
Insertion Loss	869 MHz to 894 MHz	3.3 dB max.
Return Loss		13.0 dB min.
Rejection @ TX Band	824 MHz to 849 MHz	58.0 dB min.
TX to RX Response	Frequency	Specifications @ 25° C
Rejection @ RX Band	869 MHz to 894 MHz	44.0 dB min.
Rejection @ TX Band	824 MHz to 849 MHz	60.0 dB min.
Power Rating		3 W
Impedance		50 Ω

NOTE: Supplier shall test each filter to the critical electrical specifications listed above or better. Any subsequent audits may deviate due to measurement repeatability among different test systems. Such deviations shall not exceed the following limits:

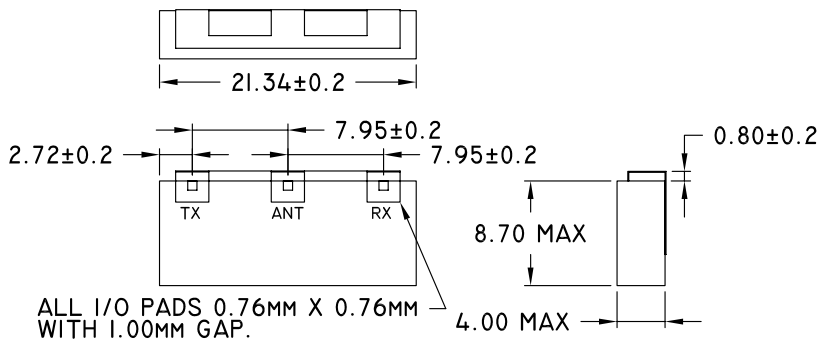
Specification	Typical Allowance
Insertion Loss	0.1 dB
Return Loss	1.0 dB
Stopbands	1.0 dB

Rev. 1

Typical Response Curve

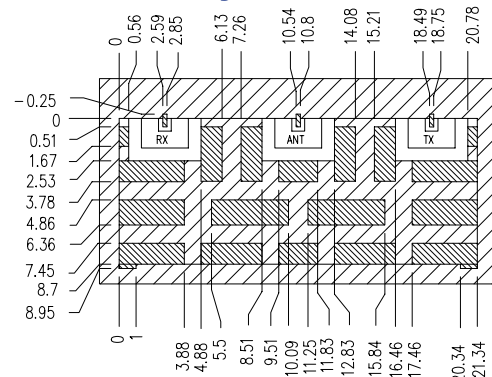


Mechanical Dimensions



All dimensions in mm

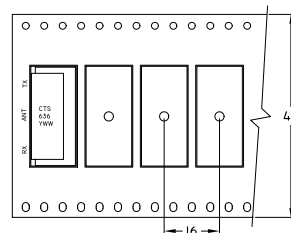
PC Board Layout



DIMENSIONS ARE IN MM, TOLERANCES=±.13

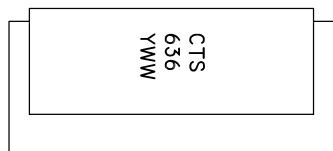
- FILTER OUTLINE
- SOLDER RESIST OVER DIELECTRIC
- ▨ SOLDER RESIST OVER CONDUCTOR
- ▩ EXPOSED CONDUCTOR

Packaging Reel Quantity: 500 pcs. max.
Reel Weight: 5.4 lbs. max.



Part Marking

Y = LAST DIGIT OF YEAR
WW = SEQUENTIAL WEEK NUMBER



Contact Information:

CTS WIRELESS COMPONENTS, INC. / 171 Covington Drive / Bloomingdale, IL 60108
PHONE: (800) 757-6686 / www.ctscorp.com

Document Control #6287078Y01 Rev 1

Date of Origin 04/09/01

Date of Revision 04/09/01

THIS DATA SHEET IS NOT AN OFFER FOR SALE AND SHALL NOT OBLIGATE CTS TO SELL THE PRODUCTS DESCRIBED HEREIN OR ANY OTHER PRODUCTS. CTS MAY, IN ITS SOLE DISCRETION, MODIFY OR DISCONTINUE THE SALE OF ITS PRODUCTS AT ANY TIME WITHOUT NOTICE. CTS MAKES NO WARRANTY, INCLUDING WARRANTIES OF MERCHANTABILITY OR FITNESS FOR A PARTICULAR PURPOSE, WITH RESPECT TO THE PRODUCTS REFERENCED OR INFORMATION PROVIDED HEREIN.

CTS® is a registered trademark of CTS Corporation.