



Chipsmall Limited consists of a professional team with an average of over 10 year of expertise in the distribution of electronic components. Based in Hongkong, we have already established firm and mutual-benefit business relationships with customers from,Europe,America and south Asia,supplying obsolete and hard-to-find components to meet their specific needs.

With the principle of “Quality Parts,Customers Priority,Honest Operation,and Considerate Service”,our business mainly focus on the distribution of electronic components. Line cards we deal with include Microchip,ALPS,ROHM,Xilinx,Pulse,ON,Everlight and Freescale. Main products comprise IC,Modules,Potentiometer,IC Socket,Relay,Connector.Our parts cover such applications as commercial,industrial, and automotives areas.

We are looking forward to setting up business relationship with you and hope to provide you with the best service and solution. Let us make a better world for our industry!



Contact us

Tel: +86-755-8981 8866 Fax: +86-755-8427 6832

Email & Skype: info@chipsmall.com Web: www.chipsmall.com

Address: A1208, Overseas Decoration Building, #122 Zhenhua RD., Futian, Shenzhen, China



KFM LED

Heavy-duty round lens LED magnifier



KFM LED has a heavy-duty, all-metal construction with a sleek design, adjustable arm and excellent light output making it suitable for a variety of industrial applications.

Excellent optics

A 5" diameter optical-quality glass lens combined with powerful LED lightsource, makes KFM LED one of the best multi-purpose heavy-duty round lens magnifier on the market today. The quality and exact positioning of the LEDs allows for virtually shadow-free magnification and excellent color rendering.

Maximum flexibility and precision

No knobs to tighten, nothing to adjust. A flexible, self-balancing shade and hands-free neck design allow the lamp head to be secured in any position. The spring-balanced arm provides maximum vertical and horizontal movement, and will always stay in the right position without drifting.

KFM LED is supplied with a 3- (1.78X) or 5-diopter (2.25X) 5" diameter optical-quality glass lens. A cloth shade cover is provided to protect the lens from unwanted dust and debris. Colors: Black, Light grey, and White.

LED: Lightsource of the future

KFM LED produces nearly 75% greater light output than traditional KFM models. KFM LED is equipped with LEDs arranged across two semi-circular modules. This design allows for virtually shadow-free magnification and excellent color rendering. The modules consume a total of 11W of energy, are infinitely dimmable, and include a 9/4 hour automatic shut-off functionality.

About magnification

Follow this link to read more about the principles of magnification, and how a Luxo magnifier can be a valuable tool for a variety of applications.

- [Follow this link to learn more about Luxo illuminated magnifiers](#)

KFM LED



Light grey or white



KFM LED ESD



TECHNICAL DESCRIPTION

LIGHTSOURCE

9W dimmable LED modules arranged across two semi-circular modules. 11W total energy consumed. Infinite dimming 1-100%. 2800 lux at 13" focal length. CCT: 4000°K. CRI: 80.

BODY MATERIAL AND COLOR

Heavy-duty internal-spring 45" or 30" parallel, three-pivot K-arm.

MOUNTING

Standard with edge clamp or weighted base. Additional mounting options are also available.

OPTICS

3- (1.75X) or 5-diopter (2.25X), 5" diameter optical-quality glass lenses are standard.

For additional magnification, a secondary 4-, 6- or 10-diopter STAYS lens can be attached to the primary lens.

POWER SUPPLY

Supplied with cable and plug.

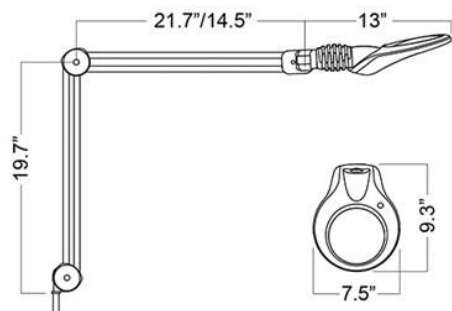
ARM TECHNOLOGY AND MOVEMENT

Heavy-duty internal-spring 45" or 30" parallel, three-pivot K-arm.

An integrated auto shut-off will turn the light off after 9 or 4 hours.

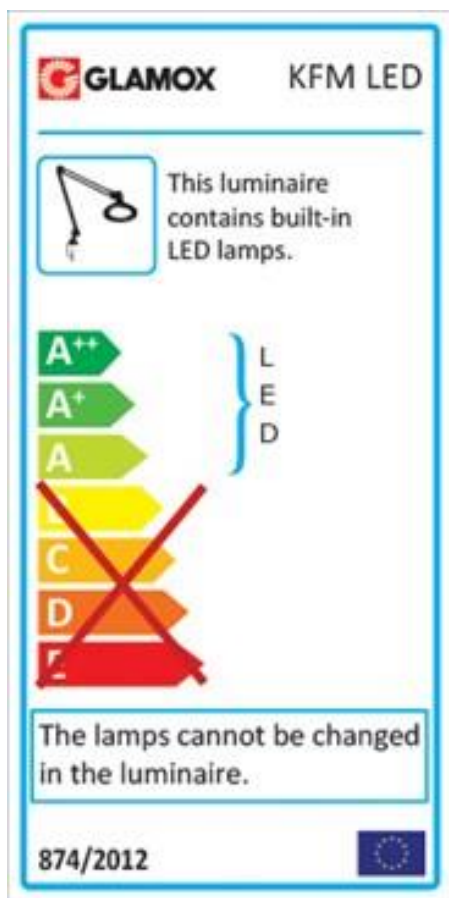
KFM LED

MEASUREMENT DRAWINGS



KFM LED

ENERGY LABEL



KFM LED

GALLERY



KFM LED



KFM LED



KFM LED



KFM LED