



Chipsmall Limited consists of a professional team with an average of over 10 year of expertise in the distribution of electronic components. Based in Hongkong, we have already established firm and mutual-benefit business relationships with customers from,Europe,America and south Asia,supplying obsolete and hard-to-find components to meet their specific needs.

With the principle of "Quality Parts,Customers Priority,Honest Operation,and Considerate Service",our business mainly focus on the distribution of electronic components. Line cards we deal with include Microchip,ALPS,ROHM,Xilinx,Pulse,ON,Everlight and Freescale. Main products comprise IC,Modules,Potentiometer,IC Socket,Relay,Connector.Our parts cover such applications as commercial,industrial, and automotives areas.

We are looking forward to setting up business relationship with you and hope to provide you with the best service and solution. Let us make a better world for our industry!



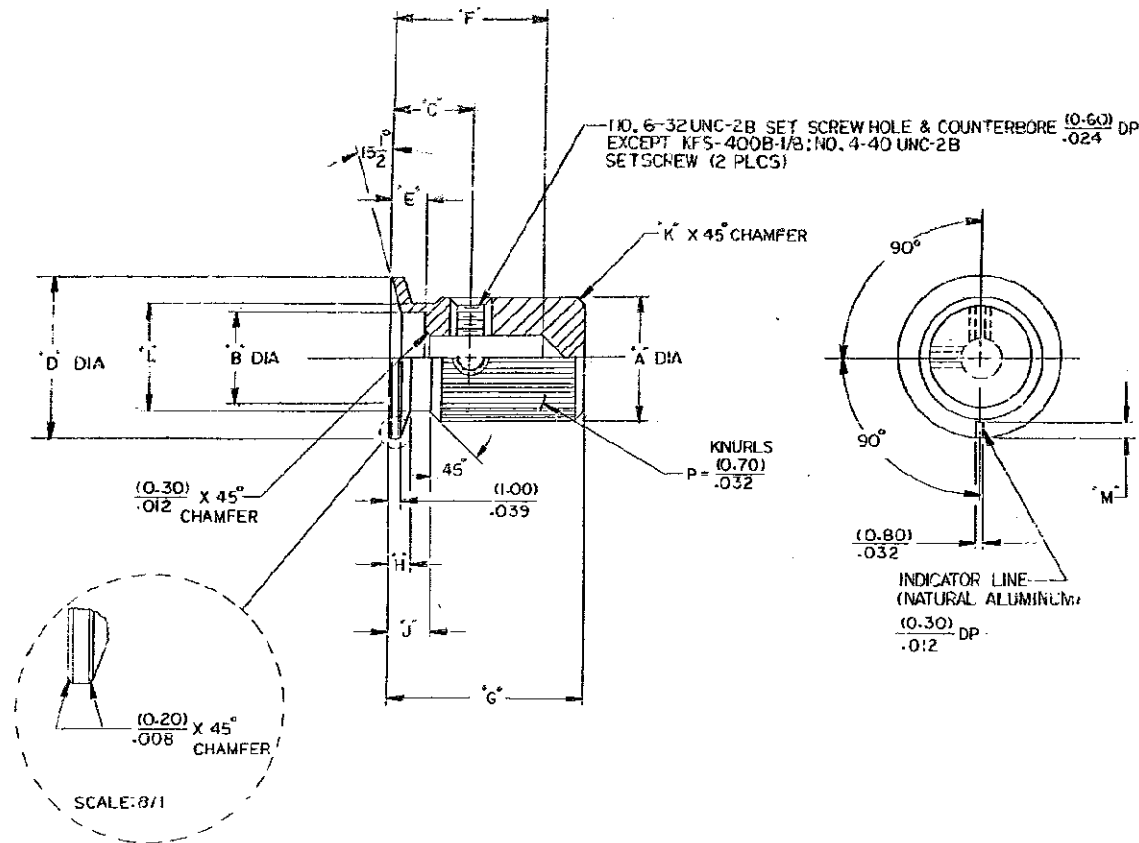
## Contact us

Tel: +86-755-8981 8866 Fax: +86-755-8427 6832

Email & Skype: [info@chipsmall.com](mailto:info@chipsmall.com) Web: [www.chipsmall.com](http://www.chipsmall.com)

Address: A1208, Overseas Decoration Building, #122 Zhenhua RD., Futian, Shenzhen, China





MODEL NO.	FINISH	A" DIA	B" DIA	C" DIM	D" DIA	E" DIM	F" DIM	G" DIM	H" DIM	J" DIM	K" DIM	L" DIM	M" DIM
KFS-600B-1/4	BLACK MATTE ANODIZE	(15.70) .618	(9.70) .382	(9.70) .382	(25.40) 1.000	(4.10) .161	(16.00) .630	(20.60) .811	(2.80) .110	(4.80) .189	(1.30) .051	(12.70) .500	(5.00) .197
KFS-500B-1/4		(12.70) .500	(9.70) .382	(6.40) .252	(16.00) .630	(4.10) .161	(12.00) .472	(16.00) .630	(1.60) .063	(3.20) .126	(0.60) .031	(11.20) .441	(4.50) .059
KFS-400B-1/8		(9.70) .382	(7.10) .280	(6.50) .256	(12.70) .500	(2.50) .098	(11.90) .469	(15.00) .591	(1.45) .059	(2.68) .105	(2.80) .011	(8.25) .316	(4.50) .259

(16.03) — (64.00)	± (0.30)	NON ACCUMULATIVE
.631 — 2.520	± .012	ANGULAR ±2°
(4.01) — (16.00)	± (0.20)	(6.40) DIA ± (0.025)
.158 — .630	± .008	.252 DIA ± .0010
(0.50) — (4.00)	± (0.10)	(3.20) DIA ± (0.001)
.020 — .157	± .004	.126 DIA ± .000
SHAFT		
TOLERANCES UNLESS NOTED		

ALCO® CONFIDENTIAL

P	LN	DESCRIPTION	DATE	BY	APPD
	A1	REVISED PER ECO-11-004917	21MAR11	RK	HMR

DIMENSIONS AND TOLERANCES PER ANSI Y14.6  
 INSPECT PER  
 ALSO DAST 109  
 SUBGRL  
 MFG. NO. 1155  
 ALUMINUM  
 FINISH SEE DRAWING  
 DO NOT SCALE DRAWING

**TE** TE Connectivity  
**KFS SERIES**  
**KNOBS**  
 SHEET 4 OF 4  
 W/MS 8-1437621-6  
 REV. A1