



Chipsmall Limited consists of a professional team with an average of over 10 year of expertise in the distribution of electronic components. Based in Hongkong, we have already established firm and mutual-benefit business relationships with customers from,Europe,America and south Asia,supplying obsolete and hard-to-find components to meet their specific needs.

With the principle of “Quality Parts,Customers Priority,Honest Operation,and Considerate Service”,our business mainly focus on the distribution of electronic components. Line cards we deal with include Microchip,ALPS,ROHM,Xilinx,Pulse,ON,Everlight and Freescale. Main products comprise IC,Modules,Potentiometer,IC Socket,Relay,Connector.Our parts cover such applications as commercial,industrial, and automotives areas.

We are looking forward to setting up business relationship with you and hope to provide you with the best service and solution. Let us make a better world for our industry!



## Contact us

Tel: +86-755-8981 8866 Fax: +86-755-8427 6832

Email & Skype: info@chipsmall.com Web: www.chipsmall.com

Address: A1208, Overseas Decoration Building, #122 Zhenhua RD., Futian, Shenzhen, China



# Sealed Rocker Switch



## Single and Double Pole

KG Series

### Features

- Snap-in mounting
- RoHS compliant
- 100,000 cycles mechanical life
- IP56
- Switches up to 20 A

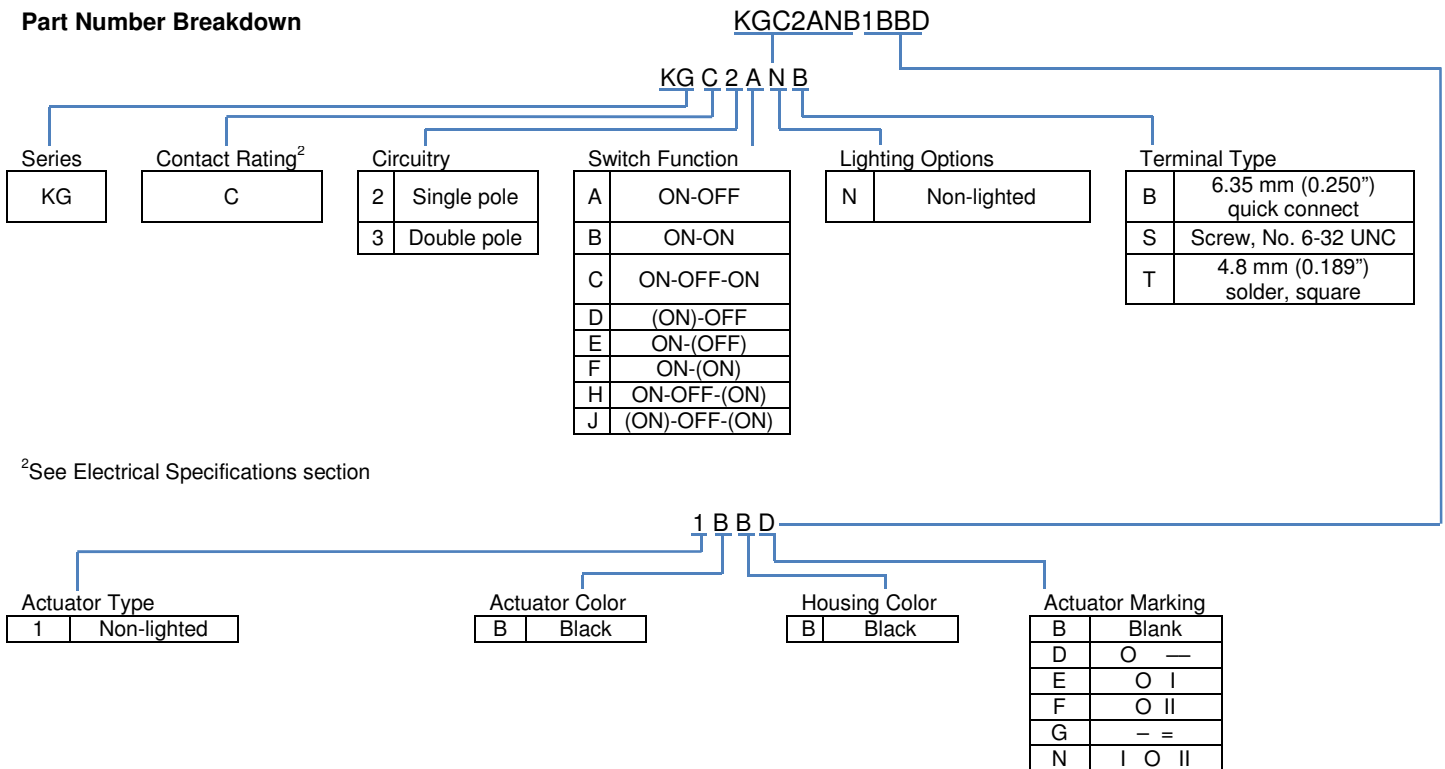
### Standard Parts<sup>1</sup>

North America and Europe			
KGC2ANB1BBD	KGC2BNB1BBB	KGC2CNB1BBN	KGC3ANB1BBD

<sup>1</sup>The part number configuration matrix below provides details to the part numbers above.

For configurable part numbers that are not listed above, not listed in your region, or for custom part numbers, contact the factory or your distributor.

### Part Number Breakdown



<sup>2</sup>See Electrical Specifications section

## Electrical Specifications

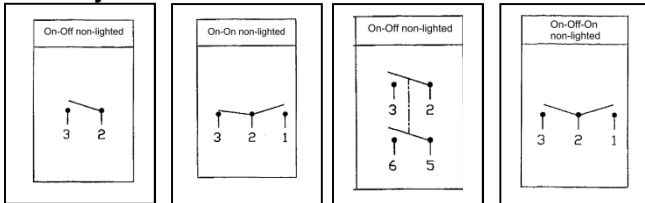
Dielectric Strength	1500 VAC for 1 minute
Insulation Resistance	100 MΩ min at 500 VDC
Initial Contact Resistance	0.050 Ω max
Electrical Ratings	
	UL1054
	20 A 125 VAC / 10 A 250 VAC
	VDC <sup>3</sup>
	20 A 14 VDC
Electrical Life at Rated Load Minimum Operations	UL 6,000

<sup>3</sup>DC ratings not agency approved  
UL File No: E23301

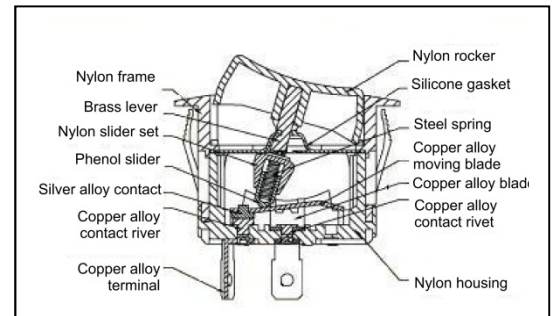
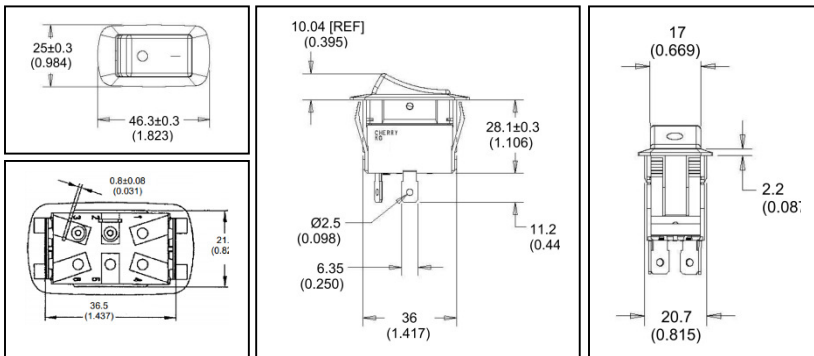
## Material and Environmental Specifications

Actuator	Nylon 66 with 33% Glass Fiber
Housing	Nylon 66
Spring	Steel
Contacts	Silver Alloy
Movable Arm	Silver
Terminals	Silver-Plated Copper Alloy
Rubber Boot	Silicone
Operating Temperature Range	-25 °C to +85 °C (-13 °F to +185 °F)
Ingress Protection	IP56

## Circuitry and Switch Functions



## Dimensions mm (inches)



Recommended Panel Cut-Out Dimensions		
Panel thickness	Dimension Y	Dimension X
0.75 to 1.25 (0.030 to 0.049)	36.6±0.2 (1.441±0.004)	21.2±0.1 (0.835±0.004)
1.25 to 2.00 (0.049 to 0.079)	36.8±0.2 (1.449±0.004)	
2.00 to 3.00 (0.079 to 0.118)	37.0±0.2 (1.457±0.004)	