



Chipsmall Limited consists of a professional team with an average of over 10 year of expertise in the distribution of electronic components. Based in Hongkong, we have already established firm and mutual-benefit business relationships with customers from,Europe,America and south Asia,supplying obsolete and hard-to-find components to meet their specific needs.

With the principle of “Quality Parts,Customers Priority,Honest Operation,and Considerate Service”,our business mainly focus on the distribution of electronic components. Line cards we deal with include Microchip,ALPS,ROHM,Xilinx,Pulse,ON,Everlight and Freescale. Main products comprise IC,Modules,Potentiometer,IC Socket,Relay,Connector.Our parts cover such applications as commercial,industrial, and automotives areas.

We are looking forward to setting up business relationship with you and hope to provide you with the best service and solution. Let us make a better world for our industry!



Contact us

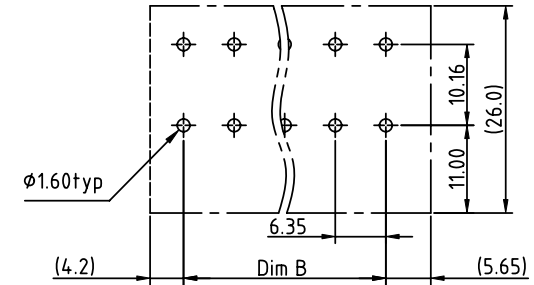
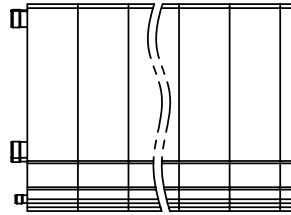
Tel: +86-755-8981 8866 Fax: +86-755-8427 6832

Email & Skype: info@chipsmall.com Web: www.chipsmall.com

Address: A1208, Overseas Decoration Building, #122 Zhenhua RD., Futian, Shenzhen, China



PRODUCT NUMBER	PITCH
KHxx05x100J0G	6.35 mm



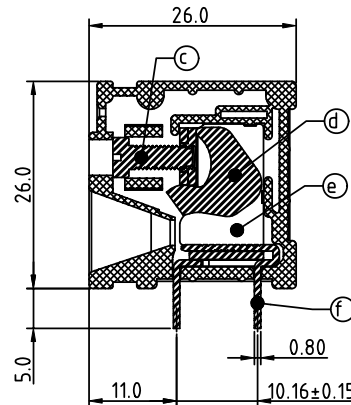
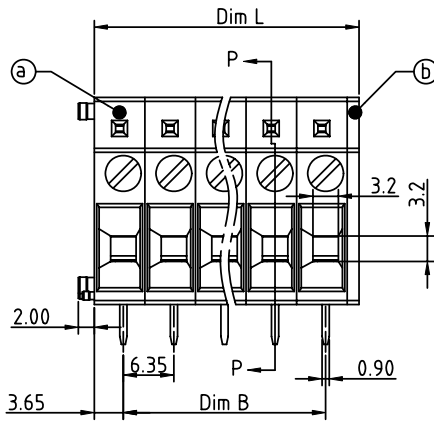
RECOMMENDED P.C.B LAYOUT
TOP VIEW

Material

- Item ① Terminal body; Thermoplastic (UL94V-0)
- Item ② Terminal cover; Thermoplastic (UL94V-0)
- Item ③ Terminal screw ;Steel Zinc plating "-" slot type
- Item ④ Firm wire chunk; Steel Zinc plated
- Item ⑤ Terminal body (metal housing); Steel, Zinc plating
- Item ⑥ Solder pin; Copper, Tin plated

Electrical cULus

- Voltage rating: 300VAC
- Current rating: 30A
- Wire range:
- Solid wire(AWG): 10-24
- Stranded wire(AWG): 10-24
- Torque(Lb-In): 4.3
- Screw: M3
- Wire strip length: 15-16mm
- Withstanding Voltage: 1.6KV
- Operating temperature: -40°C to +115°C
- Soldering temperature: 260°C±5°C/5 Sec
- Safety Approval:



SECTION P-P

N = Number of poles
Dim A = $N \times 6.35 + 1.5$
Dim B = $(N-1) \times 6.35$

poles	Dim L	Dim B
1p	±0.10	±0.10
2-6p	±0.20	±0.20
7-12p	±0.30	±0.30
13-16p	±0.40	±0.40

PART NO.: KH xx 05 x 1 00J0 G

End stackable	Body Color	RoHS compliant
No. of poles	0 Black (RAL9005)	(lead<4%)
01 1 pole	2 Red (RAL3001/D)	In copper Alloy
02 2 poles	3 Orange(RAL2011/P)	
...	4 Yellow(RAL1018/A)	
16 16 poles	5 Green(RAL6018/T)	
	6 Blue (RAL5015/A)	
	8 Grey(RAL7035/D)	
	9 White(RAL1102)	
	C Green(RAL6018/U)	

mat'l. code		surface ASME Y14.5	tolerance ASME Y14.5	projection	product family
ltr ecn no dr date		tolerances unless otherwise specified			TERMINAL BLOCK
angles		X.±0.5		MM	title
X°±1'		X.X±0.3			TERMINAL BLOCK
dr		X.XX±0.1		scale	WIRE PROTECTOR,180D WIRE INLET
enr					dwg no
chr					sheet 1 of 1
appd					size
					KHxx05x100J0G
					A4
					type
					CUSTOMER Drawing
sheet index	revision	A			
	sheet	1			