



Chipsmall Limited consists of a professional team with an average of over 10 year of expertise in the distribution of electronic components. Based in Hongkong, we have already established firm and mutual-benefit business relationships with customers from,Europe,America and south Asia,supplying obsolete and hard-to-find components to meet their specific needs.

With the principle of “Quality Parts,Customers Priority,Honest Operation,and Considerate Service”,our business mainly focus on the distribution of electronic components. Line cards we deal with include Microchip,ALPS,ROHM,Xilinx,Pulse,ON,Everlight and Freescale. Main products comprise IC,Modules,Potentiometer,IC Socket,Relay,Connector.Our parts cover such applications as commercial,industrial, and automotives areas.

We are looking forward to setting up business relationship with you and hope to provide you with the best service and solution. Let us make a better world for our industry!



Contact us

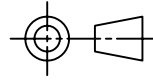
Tel: +86-755-8981 8866 Fax: +86-755-8427 6832

Email & Skype: info@chipsmall.com Web: www.chipsmall.com

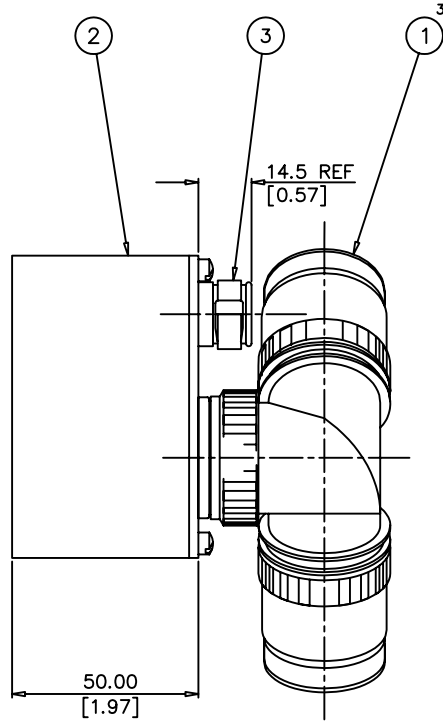
Address: A1208, Overseas Decoration Building, #122 Zhenhua RD., Futian, Shenzhen, China



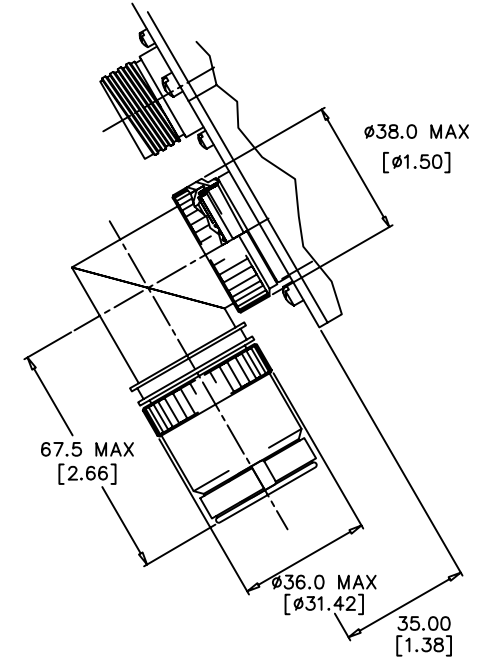
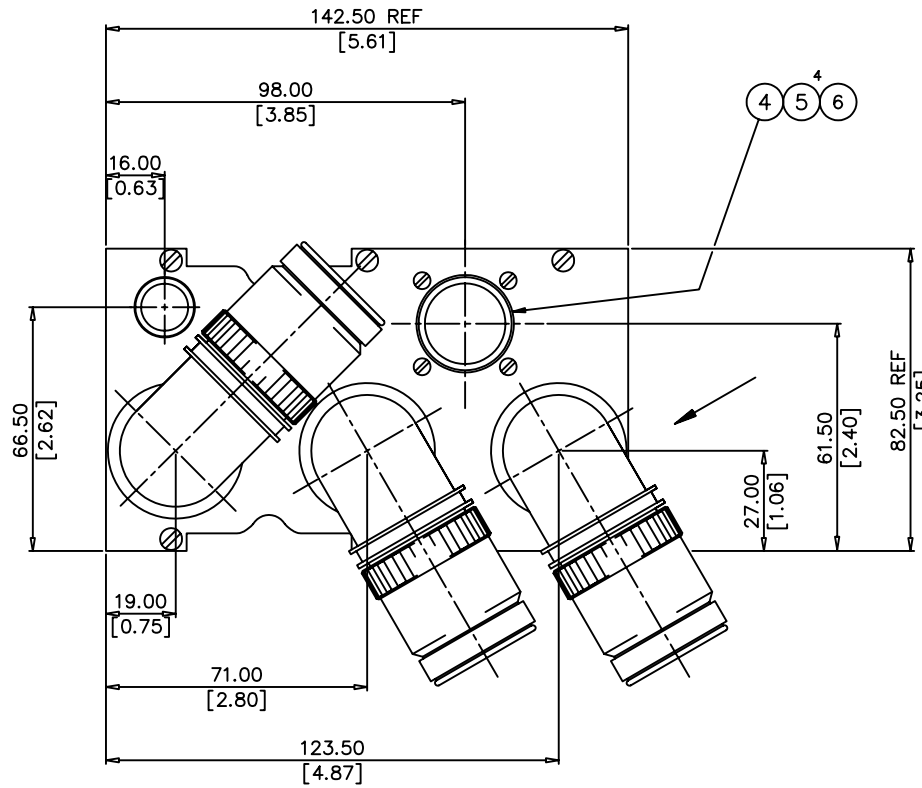
SECURITY CLASSIFICATION
DRAWING NO.
KHEX-19563/2



THIRD ANGLE PROJECTION



END VIEW WITH ITEM 4 DELETED FOR CLARITY



TRUE SCRAP VIEW ON ARROW

ITEM	DESCRIPTION	PART NO./DRAWING NO.	SPECIFICATION/REMARKS	QTY	UNIT
6	MOUNTING FLANGE (3/4)	M85049/95-16A-A	TE	1	PC
5	SCREW - CHEESE HEAD	Ø4-40 UNC x 0.375" LONG	STAINLESS STEEL - PASS.	4	PC
4	CONNECTOR	D38999/20WD-35SN	WALL MOUNT RECEPTACLE	1	PC
3	TERMINATION BAND	BND-1425S	TE	1	PC
2	BACKSHELL ASSEMBLY	HEXA6-AB-00-03-21-100	TE	1	PC
1	HEXASHIELD ADAPTOR	HEX40-AB-90-21-A11-3	TE	3	PCS

If this document is printed it becomes uncontrolled. Check for the latest revision

©2008 Tyco Electronics Corporation.
All rights reserved.

CUSTOMER DRAWING

M.P.	PER ECO-08-013538	Z.S.O.	May/30/08	A
APP'D	MODIFICATIONS	SIGN	DATE	REV.



Raychem
Harnessing
300 Constitution Drive
Menlo Park, CA 94025 U.S.A.

THIS DRAWING AND THE INFORMATION SET FORTH HEREON ARE THE PROPERTY OF TYCO ELECTRONICS AND ARE TO BE HELD IN TRUST AND CONFIDENCE. PUBLICATION, DUPLICATION, DISCLOSURE, OR USE FOR ANY OTHER PURPOSE NOT EXPRESSLY AUTHORIZED IN WRITING BY TYCO ELECTRONICS IS PROHIBITED.

DRAWN	ZS. ORBAN	DATE	TOLERANCES
CHECKED		May/30/08	±0.25 [±0.10]
APP'D	M. PIOZET	May/30/08	DIMENSIONS IN MM. [INCHES]
SCALE	NTS		PROJECT NO 87008

DRAWING TITLE	CAGE CODE
ARINC 600 SIZE 3 ADAPTOR AND CONNECTOR ASSEMBLY	06090

SECURITY CLASSIFICATION	DRAWING NO.	RELATED DRAWING NO.
	KHEX-19563/2	
		SHEET 1 OF 1