



Chipsmall Limited consists of a professional team with an average of over 10 year of expertise in the distribution of electronic components. Based in Hongkong, we have already established firm and mutual-benefit business relationships with customers from,Europe,America and south Asia,supplying obsolete and hard-to-find components to meet their specific needs.

With the principle of “Quality Parts,Customers Priority,Honest Operation,and Considerate Service”,our business mainly focus on the distribution of electronic components. Line cards we deal with include Microchip,ALPS,ROHM,Xilinx,Pulse,ON,Everlight and Freescale. Main products comprise IC,Modules,Potentiometer,IC Socket,Relay,Connector.Our parts cover such applications as commercial,industrial, and automotives areas.

We are looking forward to setting up business relationship with you and hope to provide you with the best service and solution. Let us make a better world for our industry!



## Contact us

Tel: +86-755-8981 8866 Fax: +86-755-8427 6832

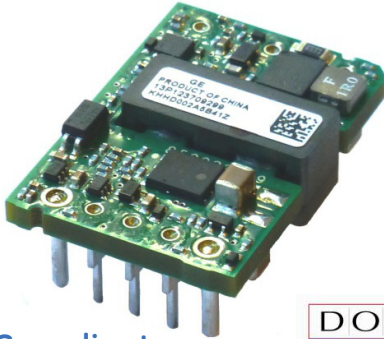
Email & Skype: info@chipsmall.com Web: www.chipsmall.com

Address: A1208, Overseas Decoration Building, #122 Zhenhua RD., Futian, Shenzhen, China



## KHHD002A5B Hammerhead™ Series; DC-DC Converter Power Modules

### 18-75Vdc Input; 12Vdc, 2.5A Output



RoHS Compliant



### Applications

- Wireless Networks
- Hybrid power architectures
- Optical and Access Network Equipment
- Enterprise Networks including Power over Ethernet (PoE)
- Industrial markets

### Options

- Negative Remote On/Off logic (preferred)
- Surface Mount/Tape and Reel (-SR Suffix)
- Auto-restart Over current/Over voltage protections (preferred)
- Shorter through hole pin trim

### Description

The KHHD002A5B series power modules are isolated DOSA compliant 1/16<sup>th</sup> brick dc-dc converters that operate over an ultra-wide input voltage range of 18 V<sub>dc</sub> - 75V<sub>dc</sub> and provide a single precisely regulated output voltage at 12Vdc. The output is fully isolated from the input, allowing versatile polarity configurations and grounding connections. The modules exhibit high efficiency of 90% typical at full load. Built-in filtering for both input and output minimizes the need for external filtering. The module is fully self-protected with output over-current and over-voltage, over-temperature and input under voltage shutdown control. Optional features include negative or positive on/off logic and SMT connections

\* UL is a registered trademark of Underwriters Laboratories, Inc.

† CSA is a registered trademark of Canadian Standards Association.

‡ VDE is a trademark of Verband Deutscher Elektrotechniker e.V.

§ This product is intended for integration into end-user equipment. All of the required procedures of end-use equipment should be followed.

¶ IEEE and 802 are registered trademarks of the Institute of Electrical and Electronics Engineers, Incorporated.

\*\* ISO is a registered trademark of the International Organization of Standards.

### Features

- Compliant to REACH Directive (EC) No 1907/2006
- Compliant to RoHS II EU "Directive 2011/65/EU"
- Ultra-wide Input Voltage Range, 18V<sub>dc</sub> to 75V<sub>dc</sub>
- No minimum load
- High efficiency – 90% at full load (V<sub>IN</sub>=48V<sub>dc</sub>)
- Constant switching frequency
- Low output ripple and noise
- Small Size and low profile, follows DOSA standard 1/16<sup>th</sup> footprint  
33.0 mm x 22.9 mm x 9.3 mm  
(1.30 in x 0.9 in x 0.37 in)
- Surface mount (SMT) or Through hole (TH)
- Reflow process compliant, both SMT and TH versions
- Positive Remote On/Off logic
- Output overcurrent/voltage protection (hiccup)
- Over-temperature protection
- Output Voltage adjust: 80% to 110% of V<sub>O,nom</sub>
- Wide operating temperature range (-40°C to 85°C)
- ANSI/ UL\* 60950-1-2011 Recognized, CAN/CSA† C22.2 No.60950-1-07, Second Edition + A1:2011 (MOD) Certified IEC 60950-1:2005 (2nd edition) + A1:2009 and EN 60950-1:2006 +A11:2009 +A1:2010 +A12:2011, and VDE‡0805 (EN60950-1 3rd edition) Licensed
- CE mark meets 2006/95/EC directive§
- Meets the voltage and current requirements for ETSI 300-132-2 and complies with and licensed for Basic insulation rating per EN60950-1
- 2250 Vdc Isolation tested in compliance with IEEE 802.3¶ PoE standards
- ISO\*\* 9001 and ISO 14001 certified manufacturing facilities

# KHHD002A5B Hammerhead™ Series; DC-DC Converter Power Modules

## 18-75Vdc Input; 12Vdc, 2.5A Output

### Absolute Maximum Ratings

Stresses in excess of the absolute maximum ratings can cause permanent damage to the device. These are absolute stress ratings only, functional operation of the device is not implied at these or any other conditions in excess of those given in the operations sections of the data sheet. Exposure to absolute maximum ratings for extended periods can adversely affect the device reliability.

| Parameter   | Device | Symbol         | Min  | Max  | Unit |
|---|--------|----------------|------|------|------|
| Input Voltage (Continuous)  | All    | $V_{IN}$       | -0.3 | 80   | Vdc  |
| Transient (100ms)   | All    | $V_{IN,trans}$ | -0.3 | 100  | Vdc  |
| Operating Ambient Temperature<br>(see Thermal Considerations section) | All    | $T_A$          | -40  | 85   | °C   |
| Storage Temperature   | All    | $T_{stg}$      | -55  | 125  | °C   |
| Altitude*   | All    |                |      | 4000 | m    |
| I/O Isolation Voltage (100% factory Hi-Pot tested)                    | All    | —              | —    | 2250 | Vdc  |

\* For higher altitude applications, contact your GE Sales Representative for alternative conditions of use.

### Electrical Specifications

Unless otherwise indicated, specifications apply at  $V_{IN} = 48V_{dc}$ , resistive load, and  $T_A = 25^\circ C$  conditions.

| Parameter  | Device | Symbol            | Min                            | Typ   | Max  | Unit              |
|--|--------|-------------------|--------------------------------|-------|------|-------------------|
| Operating Input Voltage  | All    | $V_{IN}$          | 18                             | 24/48 | 75   | Vdc               |
| Input No Load Current<br>( $V_{IN} = 48V_{dc}$ , $I_O = 0A$ , module enabled)  | All    | $I_{IN,No\ load}$ |                                |       | 50   | mA                |
| Input Stand-by Current<br>( $V_{IN} = 24$ to $48V_{dc}$ , module disabled)   | All    | $I_{IN,stand-by}$ |                                | 8     |      | mA                |
| Maximum Input Current ( $V_{IN}=18V_{dc}$ , $I_O=I_{O,MAX}$ )  | All    | $I_{IN,MAX}$      |                                |       | 2.2  | A <sub>dc</sub>   |
| Inrush Transient   | All    | $I^2t$            |                                |       | 0.05 | A <sup>2</sup> s  |
| Input Reflected Ripple Current, peak-to-peak<br>(5Hz to 20MHz, 12μH source impedance; $V_{IN}=0V$ to $75V_{dc}$ , $I_O=I_{O,max}$ ;<br>see Test configuration section) | All    |                   |                                | 25    |      | mA <sub>p-p</sub> |
| Input Ripple Rejection (120Hz)   | All    |                   |                                | 60    |      | dB                |
| EMC, EN55022   |        |                   | See EMC Considerations section |       |      |                   |

**CAUTION: This power module is not internally fused. An input line fuse must always be used.**

This power module can be used in a wide variety of applications, ranging from simple standalone operation to being part of complex power architecture. To preserve maximum flexibility, internal fusing is not included; however, to achieve maximum safety and system protection, always use an input line fuse. The safety agencies require a fast-acting fuse with a maximum rating of 5A (see Safety Considerations section). Based on the information provided in this data sheet on inrush energy and maximum dc input current, the same type of fuse with a lower rating can be used. Refer to the fuse manufacturer's data sheet for further information.



# KHHD002A5B Hammerhead™ Series; DC-DC Converter Power Modules

## 18-75Vdc Input; 12Vdc, 2.5A Output

### Electrical Specifications (continued)

Unless otherwise indicated, specifications apply at  $V_{IN} = 48V_{dc}$ , resistive load, and  $T_A = 25^\circ C$  conditions.

| Parameter  | Device | Symbol      | Min   | Typ   | Max   | Unit          |
|--|--------|-------------|-------|-------|-------|---------------|
| Output Voltage Set-point<br>( $V_{IN}=24$ to $48V_{dc}$ , $I_O=I_{O,max}$ )  | All    | $V_{O,set}$ | 11.82 | 12.00 | 12.18 | $V_{dc}$      |
| Output Voltage<br>(Over all operating input voltage, resistive load, and temperature conditions until end of life)                               | All    | $V_O$       | -3.0  | —     | +3.0  | % $V_{O,set}$ |
| Adjustment Range<br>Selected by external resistor  | All    | $V_{O,adj}$ | -20   |       | +10   | % $V_{O,set}$ |
| Remote Sense Range   | All    |             |       |       | +10   | % $V_{O,set}$ |
| Output Regulation  |        |             |       |       |       |               |
| Line ( $V_{IN}=V_{IN,min}$ to $V_{IN,max}$ )   | All    |             | —     | 0.05  | 0.2   | % $V_{O,set}$ |
| Load ( $I_O=I_{O,min}$ to $I_{O,max}$ )  | All    |             | —     | 0.05  | 0.2   | % $V_{O,set}$ |
| Temperature ( $T_{ref}=T_{A,min}$ to $T_{A,max}$ )   | All    |             | —     | —     | 1.0   | % $V_{O,set}$ |
| Output Ripple and Noise on nominal output<br>Measured with 10uF Tantalum  1uF ceramic<br>( $V_{IN}=24$ to $48V_{dc}$ , $I_O=80\%I_{O,max}$ )     |        |             |       |       |       |               |
| RMS (5Hz to 20MHz bandwidth)   | All    |             | —     | —     | 50    | $mV_{rms}$    |
| Peak-to-Peak (5Hz to 20MHz bandwidth)  | All    |             | —     | —     | 150   | $mV_{pk-pk}$  |
| External Capacitance (see Note 1 in Feature Specifications)  | All    | $C_{O,max}$ | 0     | —     | 2200  | $\mu F$       |
| Output Current<br>( $V_{IN} = 18V$ to $75V$ )  | All    | $I_O$       | 0     | —     | 2.5   | $A_{dc}$      |
| Output Current Limit Inception (Hiccup Mode)<br>( $V_{IN} = 18V$ to $75V$ )  | All    | $I_{O,lim}$ | 2.7   | —     | 3.8   | $A_{dc}$      |
| Output Short-Circuit Current ( $V_O \leq 250$ mV)  | All    | $I_{O,s/c}$ | —     | 2.7   | —     | $A_{rms}$     |
| Efficiency ( $V_{IN}=24V_{dc}$ , $I_O=I_{O,max}$ )   | All    | $\eta$      | 89    |       | —     | %             |
| Efficiency ( $V_{IN}=48V_{dc}$ , $I_O=I_{O,max}$ )   | All    | $\eta$      | 89    |       | —     | %             |
| Switching Frequency (Fixed)<br>$V_{IN}=24$ to $48V_{dc}$ , $I_O=I_{O,max}$   | All    | $f_{sw}$    | —     | 350   | —     | kHz           |
| Dynamic Load Response<br>( $\Delta I_O/\Delta t=0.1A/\mu s$ )<br><br>Load Change from $I_O= 50\%$ to $75\%$ or $25\%$ to $50\%$ of $I_{O,max}$ : |        |             |       |       |       |               |
| Peak Deviation   | All    | $V_{pk}$    | —     | 2     |       | % $V_{O,set}$ |
| Settling Time ( $V_O<10\%$ peak deviation)   | All    | $t_s$       | —     | 200   |       | $\mu s$       |

### Isolation Specifications

| Parameter             | Symbol    | Min  | Typ  | Max | Unit      |
|-----------------------|-----------|------|------|-----|-----------|
| Isolation Capacitance | $C_{iso}$ | —    | 1000 | —   | pF        |
| Isolation Resistance  | $R_{iso}$ | 10   | —    | —   | $M\Omega$ |
| I/O Isolation Voltage | All       | 2250 | —    |     | Vdc       |

### General Specifications

| Parameter  |      | Min | Typ        | Max | Unit          |
|--|------|-----|------------|-----|---------------|
| Calculated Reliability based upon Telcordia SR-332 Issue 2: Method I Case 3<br>( $I_O=80\%I_{O,max}$ , $T_A=40^\circ C$ , airflow = 200 lfm, 90% confidence) | FIT  |     | >270       |     | $10^9$ /Hours |
|  | MTBF |     | >3,600,000 |     | Hours         |
| Weight   |      | —   | 13 (0.46)  | —   | g (oz.)       |

# KHHD002A5B Hammerhead™ Series; DC-DC Converter Power Modules

## 18-75Vdc Input; 12Vdc, 2.5A Output

### Feature Specifications

Unless otherwise indicated, specifications apply at  $V_{IN} = 48V_{dc}$ , resistive load, and  $T_A = 25^{\circ}C$  conditions. See Feature Descriptions for additional information.

| Parameter  | Device | Symbol               | Min  | Typ | Max  | Unit           |
|--|--------|----------------------|------|-----|------|----------------|
| <b>Remote On/Off Signal Interface</b><br>( $V_{IN} = V_{IN, min}$ to $V_{IN, max}$ ; open collector or equivalent,<br>Signal referenced to $V_{IN}$ -terminal)<br>Negative Logic: device code suffix "1"<br>Logic Low = module On, Logic High = module Off<br>Positive Logic: No device code suffix required<br>Logic Low = module Off, Logic High = module On<br>Logic Low - Remote On/Off Current ( $V_{on/off} = -0.7V_{dc}$ )<br>Logic Low - On/Off Voltage<br>Logic High Voltage ( $I_{on/off} = 0A_{dc}$ )<br>Logic High maximum allowable leakage current |        |                      |      |     |      |                |
|  | All    | $I_{on/off}$         | —    | —   | 0.15 | mA             |
|  | All    | $V_{on/off}$         | -0.7 | —   | 0.8  | $V_{dc}$       |
|  | All    | $V_{on/off}$         | 2.4  | —   | 7    | $V_{dc}$       |
|  | All    | $I_{on/off}$         | —    | —   | 25   | $\mu A$        |
| <b>Turn-On Delay and Rise Times</b><br>( $I_o = 80\%$ of $I_{o, max}$ )<br>Case 1: Input power is applied for at least 1second, and then the On/Off input is set from OFF to ON ( $T_{delay} =$ on/off pin transition until $V_o = 10\%$ of $V_{o, set}$ )<br>Case 2: On/Off input is set to Module ON, and then input power is applied ( $T_{delay} = V_{IN}$ reaches $V_{IN, min}$ until $V_o = 10\%$ of $V_{o, set}$ )<br>Output voltage Rise time (time for $V_o$ to rise from 10% of $V_{o, set}$ to 90% of $V_{o, set}$ )                                  |        |                      |      |     |      |                |
|  | All    | $T_{delay}$<br>Case1 | —    | 30  | 50   | ms             |
|  | All    | $T_{delay}$<br>Case2 | —    | 20  | 50   | ms             |
|  | All    | $T_{rise}$           | —    | 5   | 10   | ms             |
| <b>Output Voltage Overshoot</b><br>( $I_o = 80\%$ of $I_{o, max}$ , $V_{IN} = 24$ to $48V_{dc}$ )  |        |                      |      |     | 3    | % $V_{o, set}$ |
| <b>Output Overvoltage Protection</b>   | All    | $V_{O, limit}$       | 14   | —   | 17   | $V_{dc}$       |
| <b>Input Undervoltage Lockout</b>  |        |                      |      |     |      |                |
| Turn-on Threshold  | All    | $V_{uv/on}$          | —    | 17  | 18   | $V_{dc}$       |
| Turn-off Threshold   | All    | $V_{uv/off}$         | 14   | 15  | —    | $V_{dc}$       |
| Hysteresis   | All    | $V_{hyst}$           | —    | 2.0 | —    | $V_{dc}$       |

Note: 1.The module requires a minimum of 220  $\mu F$  external output capacitor to avoid exceeding the OVP maximum limits during startup into open loop fault conditions.

# KHHD002A5B Hammerhead™ Series; DC-DC Converter Power Modules

18-75Vdc Input; 12Vdc, 2.5A Output

## Characteristic Curves

The following figures provide typical characteristics for the KHHD002A5B (12.0V, 2.5A) at 25°C. The figures are identical for either positive or negative remote On/Off logic.

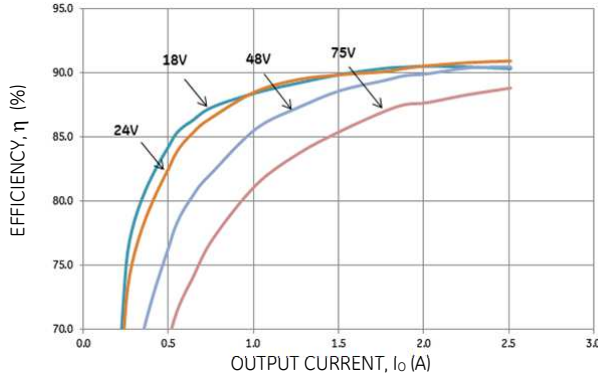


Figure 1. Converter Efficiency versus Output Current.

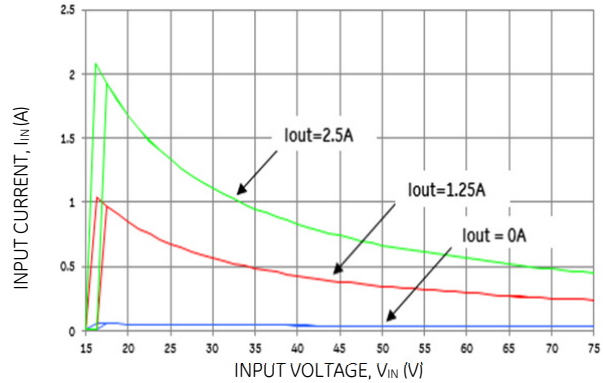


Figure 2. Converter Input Current versus Input Voltage.

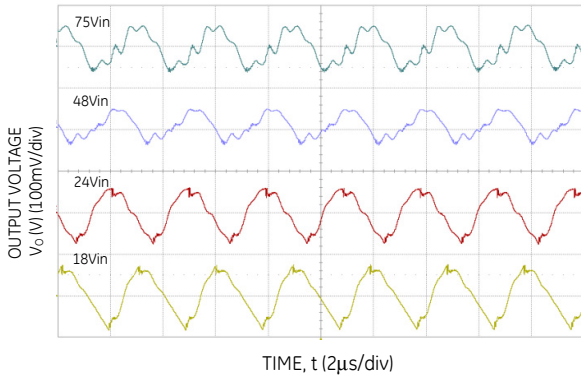


Figure 3. Typical output ripple and noise ( $I_o = I_{o,max}$ ).

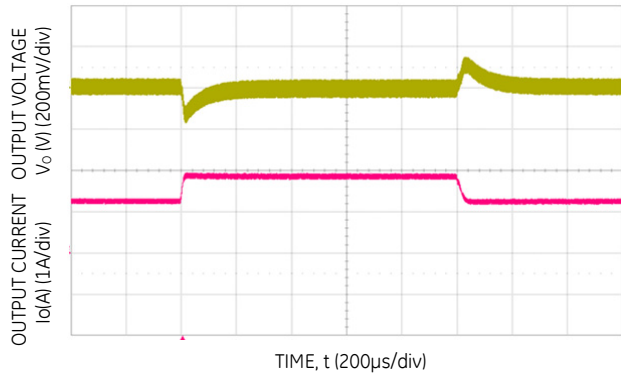


Figure 4. Transient Response to 0.1A/µS Dynamic Load Change from 50% to 75% to 50% of full load,  $V_{in}=24V$ ,  $C_o>100\mu F$

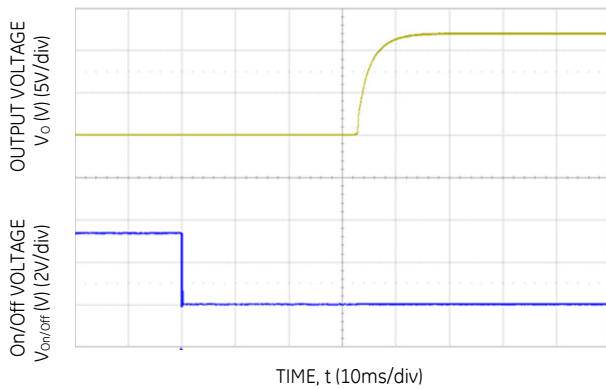


Figure 5. Typical Start-up Using Remote On/Off, negative logic version shown ( $V_{IN} = 24V$ ,  $I_o = I_{o,max}$ ).

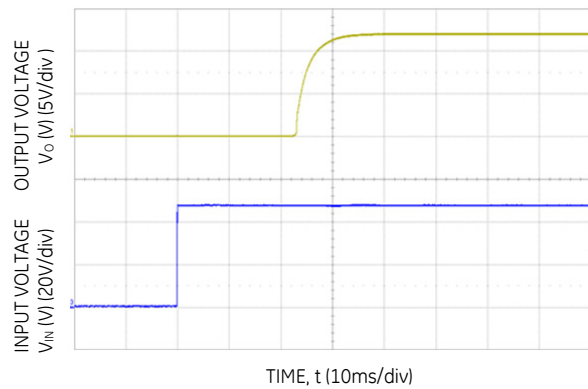
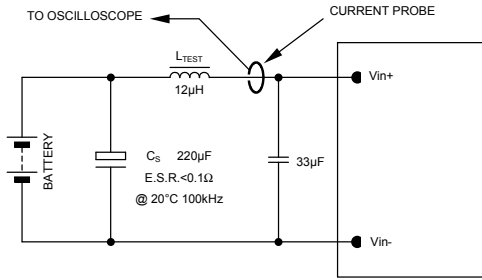


Figure 6. Typical Start-up Using Input Voltage ( $V_{IN} = 24/48V$ ,  $I_o = I_{o,max}$ ).

# KHHD002A5B Hammerhead™ Series; DC-DC Converter Power Modules

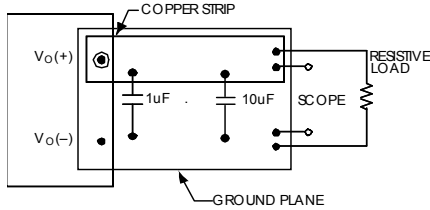
18-75Vdc Input; 12Vdc, 2.5A Output

## Test Configurations



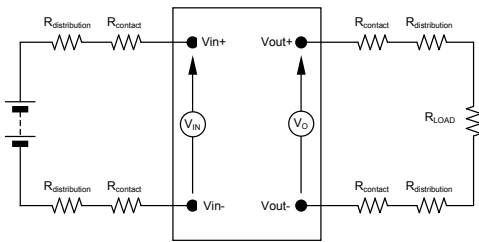
NOTE: Measure input reflected ripple current with a simulated source inductance ( $L_{TEST}$ ) of 12µH. Capacitor  $C_S$  offsets possible battery impedance. Measure current as shown above.

Figure 7. Input Reflected Ripple Current Test Setup.



NOTE: All voltage measurements to be taken at the module terminals, as shown above. If sockets are used then Kelvin connections are required at the module terminals to avoid measurement errors due to socket contact resistance.

Figure 8. Output Ripple and Noise Test Setup.



NOTE: All voltage measurements to be taken at the module terminals, as shown above. If sockets are used then Kelvin connections are required at the module terminals to avoid measurement errors due to socket contact resistance.

Figure 9. Output Voltage and Efficiency Test Setup.

$$\text{Efficiency } \eta = \frac{V_o \cdot I_o}{V_{IN} \cdot I_{IN}} \times 100 \%$$

## Design Considerations

### Input Source Impedance

The power module should be connected to a low ac-impedance source. Highly inductive source impedance can affect the stability of the power module. For the test configuration in Figure 7, a 33µF electrolytic capacitor (ESR<0.7Ω at 100kHz), mounted close to the power module helps ensure the stability of the unit. Consult the factory for further application guidelines.

### Safety Considerations

For safety-agency approval of the system in which the power module is used, the power module must be installed in compliance with the spacing and separation requirements of the end-use safety agency standard, i.e., UL 60950-1-3, CSA C22.2 No. 60950-00, and VDE 0805 (IEC60950, 3<sup>rd</sup> Edition).

If the input source is non-SELV (ELV or a hazardous voltage greater than 60 Vdc and less than or equal to 75Vdc), for the module's output to be considered as meeting the requirements for safety extra-low voltage (SELV), all of the following must be true:

- The input source is to be provided with reinforced insulation from any other hazardous voltages, including the ac mains.
- One  $V_{IN}$  pin and one  $V_{OUT}$  pin are to be grounded, or both the input and output pins are to be kept floating.
- The input pins of the module are not operator accessible.
- Another SELV reliability test is conducted on the whole system (combination of supply source and subject module), as required by the safety agencies, to verify that under a single fault, hazardous voltages do not appear at the module's output.

**Note:** Do not ground either of the input pins of the module without grounding one of the output pins. This may allow a non-SELV voltage to appear between the output pins and ground.

The power module has extra-low voltage (ELV) outputs when all inputs are ELV.

For input voltages exceeding -60 Vdc but less than or equal to -75 Vdc, these converters have been evaluated to the applicable requirements of BASIC INSULATION between secondary DC MAINS DISTRIBUTION input (classified as TNV-2 in Europe) and unearthed SELV outputs.

The input to these units is to be provided with a maximum 6A fast acting fuse in the ungrounded lead.

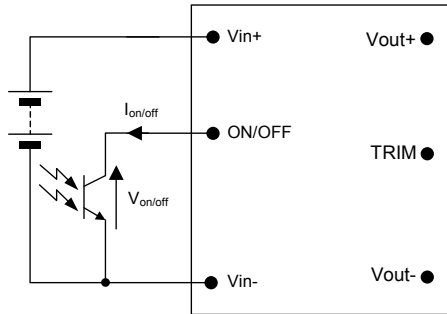
# KHHD002A5B Hammerhead™ Series; DC-DC Converter Power Modules

18-75Vdc Input; 12Vdc, 2.5A Output

## Feature Description

### Remote On/Off

Two remote on/off options are available. Positive logic turns the module on during a logic high voltage on the on/off pin, and off during a logic low. Negative logic remote on/off, device code suffix "1", turns the module off during a logic high and on during a logic low.



**Figure 10. Circuit configuration for using Remote On/Off Implementation.**

To turn the power module on and off, the user must supply a switch (open collector or equivalent) to control the voltage ( $V_{on/off}$ ) between the ON/OFF terminal and the  $V_{IN(-)}$  terminal. Logic low is  $0V \leq V_{on/off} \leq 0.8V$ . The maximum  $I_{on/off}$  during a logic low is 0.15mA, the switch should maintain a logic low level whilst sinking this current.

During a logic high, the typical  $V_{on/off}$  generated by the module is 4.0V, and the maximum allowable leakage current at  $V_{on/off} = 4.0V$  is 25µA.

If not using the remote on/off feature:

For positive logic, leave the ON/OFF pin open.

For negative logic, short the ON/OFF pin to  $V_{IN(-)}$ .

### Overcurrent Protection

To provide protection in a fault (output overload) condition, the unit is equipped with internal current-limiting circuitry and can endure current limiting continuously. At the point of current-limit inception, the unit enters hiccup mode. If the unit is not configured with auto-restart, then it will latch off following the over current condition. The module can be restarted by cycling the dc input power or by toggling the remote on/off signal. If the unit is configured with the auto-restart option (4), it will remain in the hiccup mode as long as the overcurrent condition exists; it operates normally, once the output current is brought back into its specified range.

### Overtemperature Protection

To provide protection under certain fault conditions, the unit is equipped with a thermal shutdown circuit. The unit will shut down if the thermal reference point  $T_{ref}$  (Figure 16), exceeds 135°C (typical), but the thermal shutdown is not intended as a guarantee that the unit will survive temperatures beyond its rating. The module will automatically restart upon cool-down to a safe temperature.

### Input Undervoltage Lockout

At input voltages below the input undervoltage lockout limit, the module operation is disabled. The module will only begin to operate once the input voltage is raised above the undervoltage lockout turn-on threshold,  $V_{UV/ON}$ .

Once operating, the module will continue to operate until the input voltage is taken below the undervoltage turn-off threshold,  $V_{UV/OFF}$ .

### Over Voltage Protection

The output overvoltage protection shall consist of circuitry that independently monitors the output voltage, and shuts the module down if the output voltage exceeds specified limits. This protection feature latches in the event of over voltage across the output. Cycling the on/off pin or input voltage resets the latching protection feature. If the auto-restart option (4) is ordered, the module will automatically restart upon an internally programmed time elapsing.

### Output Voltage Programming

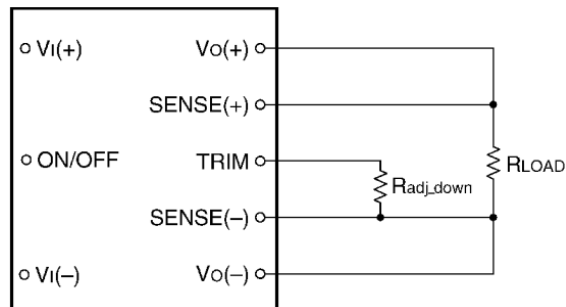
Trimming allows the user to increase or decrease the output voltage set point of the module. This is accomplished by connecting an external resistor between the TRIM pin and either the  $V_{out+}$  pin or the  $V_{out-}$  pin.

### Trim Down – Decrease Output Voltage

By connecting an external resistor between the TRIM pin and  $V_{O(-)}$  or  $SENSE(-)$  pin (see figure 11), the output voltage set point decreases. The following equation determines the external resistor value to obtain an output voltage change from  $V_{o,set}$  to the desired  $V_{o,desired}$ .

$$R_{adj-down} = \left[ \frac{511}{\Delta\%} - 10.22 \right] k\Omega$$

$$\text{Where } \Delta\% = \left( \frac{V_{o,set} - V_{o,desired}}{V_{o,set}} \right) \times 100$$



**Figure 11. Circuit Configuration to Decrease Output Voltage.**

### Trim Up – Increase Output Voltage

By connecting an external resistor between the TRIM pin and  $V_{O(+)}$  or  $SENSE(+)$  pin (see figure 12), the output voltage set point increases. The following equation determines the external resistor value to obtain an output voltage change from  $V_{o,set}$  to the desired  $V_{o,desired}$ .



# KHHD002A5B Hammerhead™ Series; DC-DC Converter Power Modules

18-75Vdc Input; 12Vdc, 2.5A Output

## Feature Descriptions (continued)

$$R_{adj-up} = \left[ \frac{5.11 \times V_{o,set} \times (100 + \Delta\%)}{1.225 \times \Delta\%} - \frac{511}{\Delta\%} - 10.22 \right] k\Omega$$

Where  $\Delta\% = \left( \frac{V_{o,desired} - V_{o,set}}{V_{o,set}} \right) \times 100$

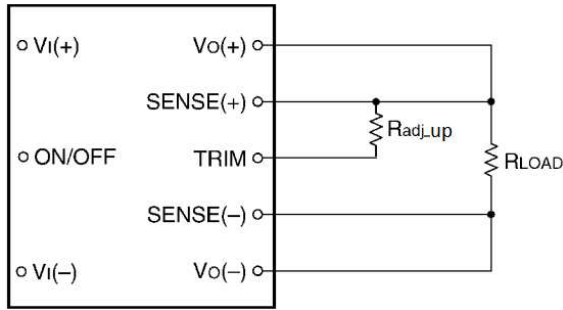


Figure 12. Circuit Configuration to Increase Output Voltage.

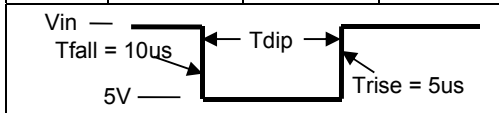
The combination of the output voltage adjustment and the output voltage initial tolerance must not exceed the allowable trim range of 80% to 110% of the nominal output voltage as measured between the Vout+ and Vout- pins.

The KHHD002A5B power modules have a fixed current-limit set point. Therefore, as the output voltage is adjusted down, the available output power shall be reduced.

### Pre-bias Vin Under Voltage Test

The module shall recover from UVLO [Under Voltage Lock Out] without protective shutdown from OCP or OVP or hard failure, when subjected to Vin Under Voltage transients with the following conditions:

| Vin(V) | Tdip (ms) | Co (uF) | Load (A) |
|--------|-----------|---------|----------|
| 48     | 5         | 0       | 0        |
| 48     | 5         | 2200    | 0        |
| 48     | 10        | 0       | 0        |
| 48     | 10        | 2200    | 0        |
| 48     | 5         | 0       | 4.2      |
| 48     | 5         | 2200    | 4.2      |
| 48     | 10        | 0       | 4.2      |
| 48     | 10        | 2200    | 4.2      |
| 60     | 5         | 0       | 0        |
| 60     | 5         | 2200    | 0        |
| 60     | 10        | 0       | 0        |
| 60     | 10        | 2200    | 0        |
| 60     | 5         | 0       | 4.2      |
| 60     | 5         | 2200    | 4.2      |
| 60     | 10        | 0       | 4.2      |
| 60     | 10        | 2200    | 4.2      |



## Thermal Considerations

The power modules operate in a variety of thermal environments; however, sufficient cooling should be provided to help ensure reliable operation.

Considerations include ambient temperature, airflow, module power dissipation, and the need for increased reliability. A reduction in the operating temperature of the module will result in an increase in reliability.

The thermal data presented here is based on physical measurements taken in a wind tunnel, using automated thermo-couple instrumentation to monitor key component temperatures: FETs, diodes, control ICs, magnetic cores, ceramic capacitors, opto-isolators, and module pwb conductors, while controlling the ambient airflow rate and temperature. For a given airflow and ambient temperature, the module output power is increased, until one (or more) of the components reaches its maximum derated operating temperature, as defined in IPC-9592A. This procedure is then repeated for a different airflow or ambient temperature until a family of module output derating curves is obtained.

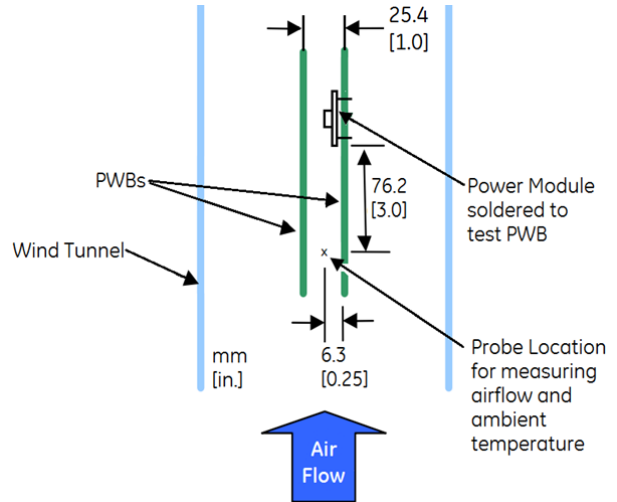


Figure 13. Thermal Test Setup.

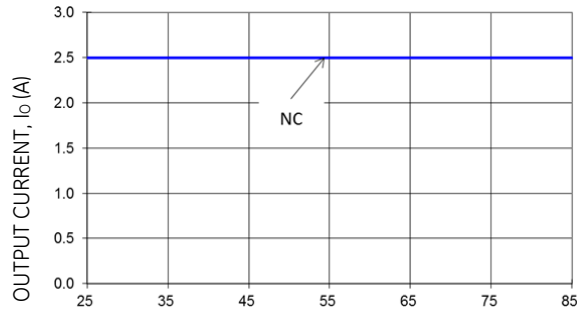
### Heat Transfer via Convection

Increased airflow over the module enhances the heat transfer via convection. Derating figures showing the maximum output current that can be delivered by each module versus local ambient temperature (TA) for natural convection and up to 3m/s (600 ft./min) are shown in the respective Characteristics Curves section.

Please refer to the Application Note “Thermal Characterization Process For Open-Frame Board-Mounted Power Modules” for a detailed discussion of thermal aspects including maximum device temperatures.

# KHHD002A5B Hammerhead™ Series; DC-DC Converter Power Modules

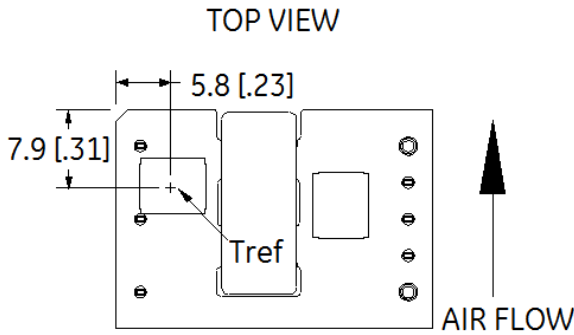
18-75Vdc Input; 12Vdc, 2.5A Output



LOCAL AMBIENT TEMPERATURE,  $T_A$  (°C)

**Figure 14. Output Current Derating for the Open Frame KHHD002A5B in the Transverse Orientation; Airflow Direction from Vin(-) to Vin(+); Vin = 24V or 48V.**

The thermal reference point,  $T_{ref}$ , used in the specifications is shown in Figure 15. For reliable operation this temperature should not exceed 135°C.

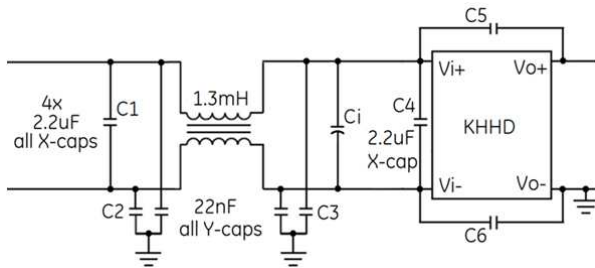


**Figure 15.  $T_{ref}$  Temperature Measurement Location.**

## EMC Requirements

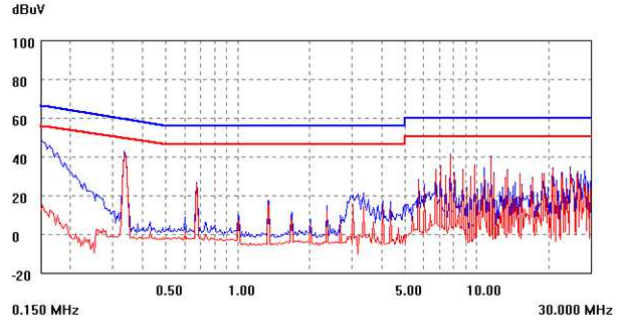
Figure 16 shows a maximum filter configuration to meet the conducted emission limits of EN55022 Class B.

Notes: C1 and C4 are low impedance SMT ceramics.



- $C_i$  See Figure 7
- C1, C4 2.2uF, 100V, 1210
- C2, C3 1210Y1K50103KXTDWV, 10nF, 1500V (\*2)
- RDHX223K302HKT, 22nF, 3kv
- C5, C6 RDHX333K302HKT, 33nF, 3000V (Holystone)
- 202S48W334KT, 33nF, 2000V (Johanson)

**Figure 16. Suggested Configuration for EN55022 Class B.**



**Figure 17. KHHD002A5B Vin+ Line EMC signature using above filter, Vin=48V, Blue=PK, Red=Avg.**

For further information on designing for EMC compliance, please refer to the FLTR100V10 data sheet (FDS01-043EPS).

## Layout Considerations

The KHHD002A5B power module series are low profile in order to be used in fine pitch system card architectures. As such, component clearance between the bottom of the power module and the mounting board is limited. Avoid placing copper areas on the outer layer directly underneath the power module. Also avoid placing via interconnects underneath the power module.

For additional layout guide-lines, refer to the FLTR100V10 data sheet.

The KHHD002A5B family of power modules is available for either Through-Hole (TH) or Surface Mount (SMT) soldering.

## Through-Hole Soldering Information

The RoHS-compliant (Z codes) through-hole products use the SAC (Sn/Ag/Cu) Pb-free solder and RoHS-compliant components. They are designed to be processed through single or dual wave soldering machines. The pins have an RoHS-compliant finish that is compatible with both Pb and Pb-free wave soldering processes. A maximum preheat rate of 3°C/s is suggested. The wave preheat process should be such that the temperature of the power module board is kept below 210°C. For Pb solder, the recommended pot temperature is 260°C, while the Pb-free solder pot is 270°C max. Not all RoHS-compliant through-hole products can be processed with paste-through-hole Pb or Pb-free reflow process. If additional information is needed, please consult with your GE representative for more details.

# KHHD002A5B Hammerhead™ Series; DC-DC Converter Power Modules

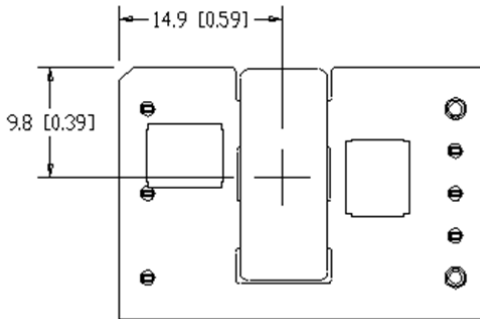
18-75Vdc Input; 12Vdc, 2.5A Output

## Surface Mount Information

### Pick and Place

The KHHD-SR series of DC-to-DC power converters use an open-frame construction and are designed for surface mount assembly within a fully automated manufacturing process.

The KHHD-SR series modules are designed to use the main magnetic component surface to allow for pick and place.



Note: All dimensions in mm [in].

Figure 18. Pick and Place Location.

### Z Plane Height

The 'Z' plane height of the pick and place location is 7.50mm nominal with an RSS tolerance of +/-0.25 mm.

### Nozzle Recommendations

The module weight has been kept to a minimum by using open frame construction. Even so, they have a relatively large mass when compared with conventional SMT components. Variables such as nozzle size, tip style, vacuum pressure and placement speed should be considered to optimize this process.

The minimum recommended nozzle diameter for reliable operation is 5mm. The maximum nozzle outer diameter, which will safely fit within the allowable component spacing, is 6.5mm.

Oblong or oval nozzles up to 11 x 6 mm may also be used within the space available.

For further information please contact your local GE Technical Sales Representative.

### Reflow Soldering Information

These power modules are large mass, low thermal resistance devices and typically heat up slower than other SMT components. It is recommended that the customer review data sheets in order to customize the solder reflow profile for each application board assembly.

The following instructions must be observed when SMT soldering these units. Failure to observe these instructions may result in the failure of or cause damage to the modules, and can adversely affect long-term reliability.

There are several types of SMT reflow technologies currently used in the industry. These surface mount power modules

can be reliably soldered using natural forced convection, IR (radiant infrared), or a combination of convection/IR. The recommended linear reflow profile using Sn/Pb solder is shown in Figure 19 and 20. For reliable soldering the solder reflow profile should be established by accurately measuring the module's pin connector temperatures.

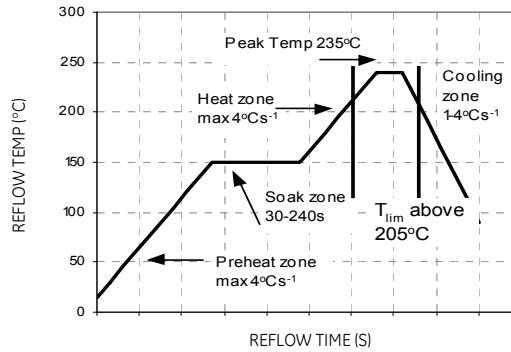


Figure 19. Recommended Reflow Profile for Sn/Pb solder.

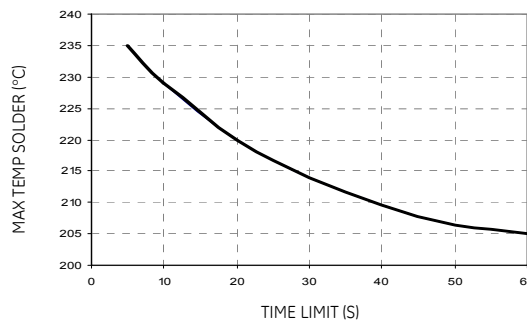


Figure 20. Time Limit,  $T_{lim}$ , Curve Above 205°C Reflow .

### Lead Free Soldering

The -Z version SMT modules of the KHHD002A5B series are lead-free (Pb-free) and RoHS compliant and are compatible in a Pb-free soldering process. Failure to observe the instructions below may result in the failure of or cause damage to the modules and can adversely affect long-term reliability.

### Pb-free Reflow Profile

Power Systems will comply with J-STD-020 Rev. D (Moisture/Reflow Sensitivity Classification for Nonhermetic Solid State Surface Mount Devices)

for both Pb-free solder profiles and MSL classification procedures. This standard provides a recommended forced-air-convection reflow profile based on the volume and thickness of the package (table 4-2). The suggested Pb-free solder paste is Sn/Ag/Cu (SAC). The recommended linear reflow profile using Sn/Ag/Cu solder is shown in Figure 21.

## KHHD002A5B Hammerhead™ Series; DC-DC Converter Power Modules 18-75Vdc Input; 12Vdc, 2.5A Output

### Surface Mount Information (continued)

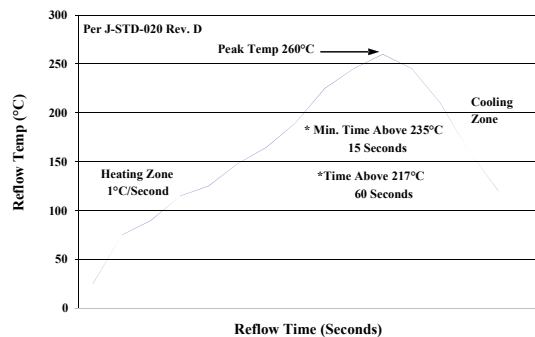


Figure 21. Recommended linear reflow profile using Sn/Ag/Cu solder.

### MSL Rating

The KHHD002A5B series SMT modules have a MSL rating of 2a.

### Storage and Handling

The recommended storage environment and handling procedures for moisture-sensitive surface mount packages is detailed in J-STD-033 Rev. A (Handling, Packing, Shipping and Use of Moisture/Reflow Sensitive Surface Mount Devices). Moisture barrier bags (MBB) with desiccant are required for MSL ratings of 2 or greater. These sealed packages should not be broken until time of use. Once the original package is broken, the floor life of the product at conditions of  $\leq 30^{\circ}\text{C}$  and 60% relative humidity varies according to the MSL rating (see J-STD-033A). The shelf life for dry packed SMT packages will be a minimum of 12 months from the bag seal date, when stored at the following conditions:  $< 40^{\circ}\text{C}$ ,  $< 90\%$  relative humidity.

### Post Solder Cleaning and Drying Considerations

Post solder cleaning is usually the final circuit-board assembly process prior to electrical board testing. The result of inadequate cleaning and drying can affect both the reliability of a power module and the testability of the finished circuit-board assembly. For guidance on appropriate soldering, cleaning and drying procedures, refer to GE *Board Mounted Power Modules: Soldering and Cleaning Application Note* (AP01-056EPS).

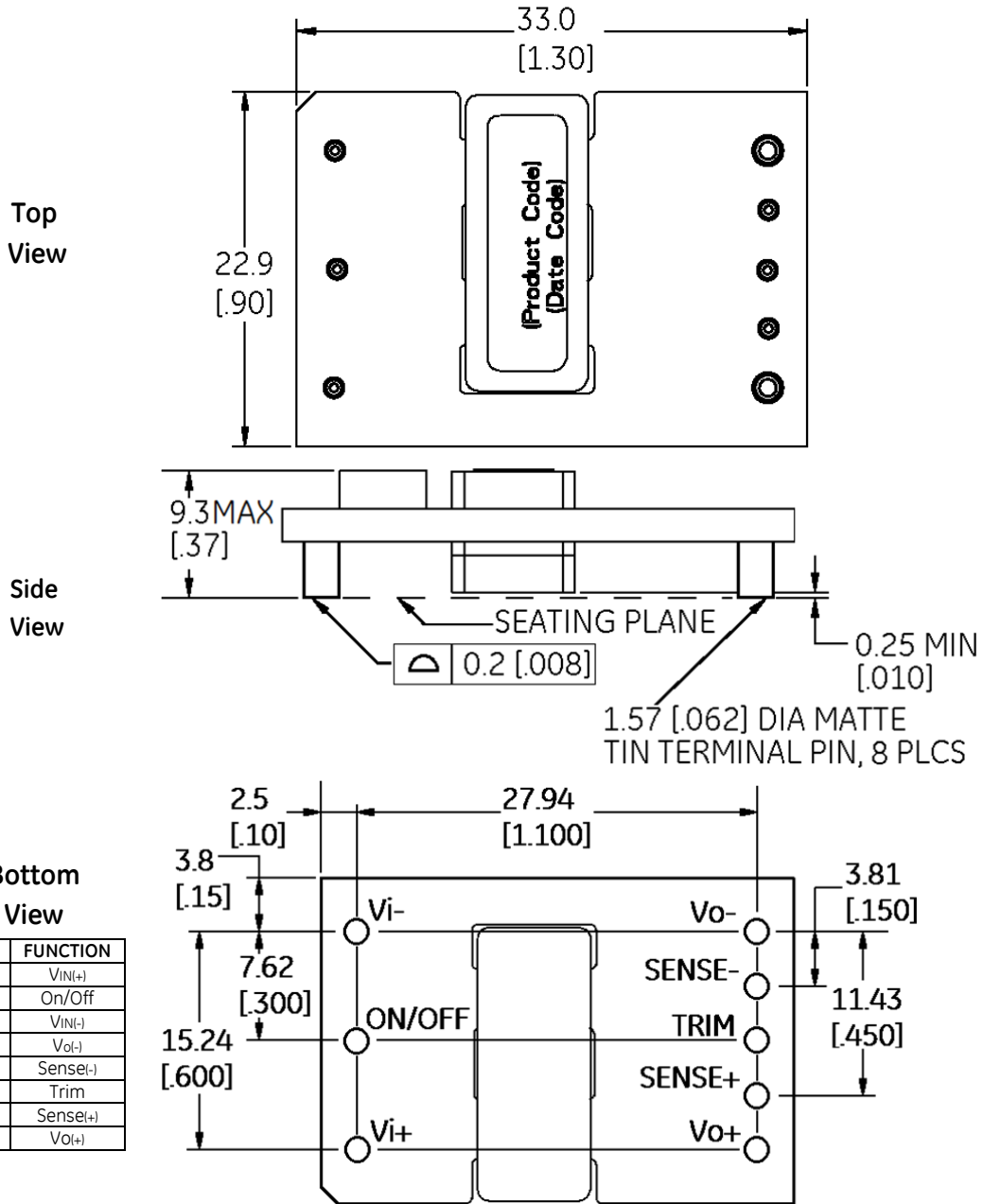


# KHHD002A5B Hammerhead™ Series; DC-DC Converter Power Modules

18-75Vdc Input; 12Vdc, 2.5A Output

## Mechanical Outline for KHHD002A5B Surface-Mount Module

Dimensions are in millimeters and [inches].  
 Tolerances: x.x mm ± 0.5 mm [x.xx in. ± 0.02 in.] (Unless otherwise indicated)  
 x.xx mm ± 0.25 mm [x.xxx in. ± 0.010 in.]

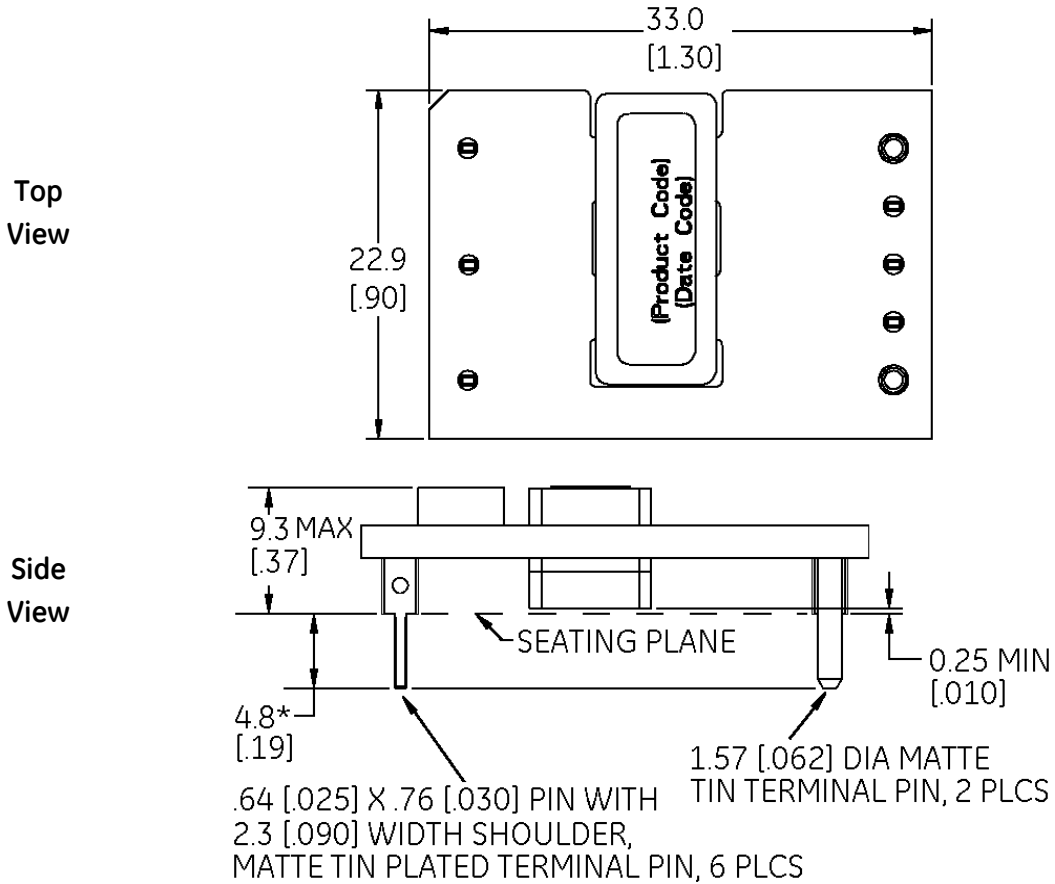


# KHHD002A5B Hammerhead™ Series; DC-DC Converter Power Modules

18-75Vdc Input; 12Vdc, 2.5A Output

## Mechanical Outline for KHHD002A5B Through Hole Module

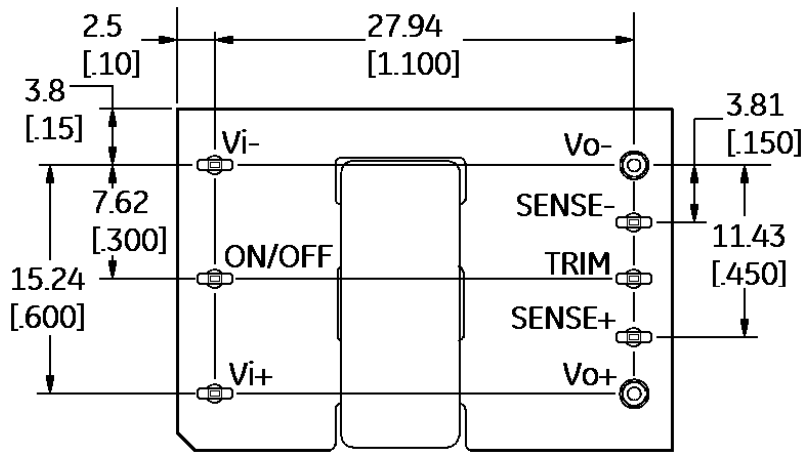
Dimensions are in millimeters and [inches].  
 Tolerances: x.x mm ± 0.5 mm [x.xx in. ± 0.02 in.] (Unless otherwise indicated)  
 x.xx mm ± 0.25 mm [x.xxx in. ± 0.010 in.]



\* Optional PIN Lengths shown In Device Option Table

**Bottom View**

| PIN | FUNCTION           |
|-----|--------------------|
| 1   | V <sub>IN(+)</sub> |
| 2   | On/Off             |
| 3   | V <sub>IN(-)</sub> |
| 4   | V <sub>O(-)</sub>  |
| 5   | Sense(-)           |
| 6   | Trim               |
| 7   | Sense(+)           |
| 8   | V <sub>O(+)</sub>  |

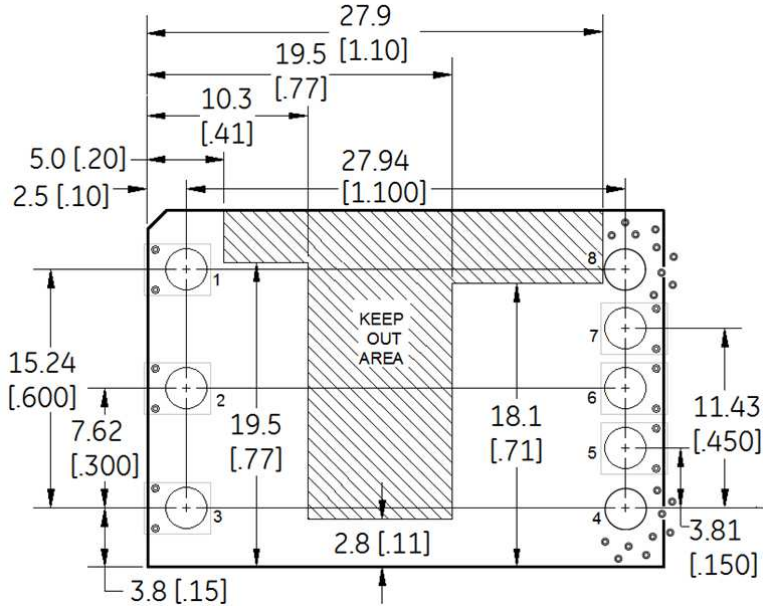


# KHHD002A5B Hammerhead™ Series; DC-DC Converter Power Modules

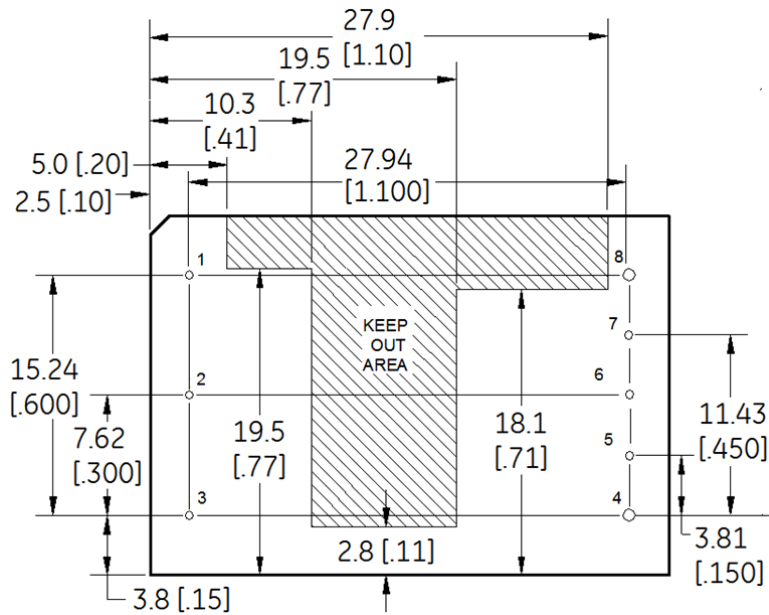
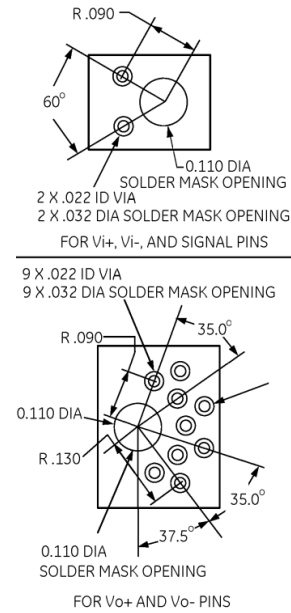
18-75Vdc Input; 12Vdc, 2.5A Output

## Recommended Pad Layout for Surface Mount and Through Hole Module

Dimensions are in millimeters and [inches].  
 Tolerances: x.x mm ± 0.5 mm [x.xx in. ± 0.02 in.] (Unless otherwise indicated)  
 x.xx mm ± 0.25 mm [x.xxx in. ± 0.010 in.]



Surface Mount Pad Layout



Through-Hole Pad Layout

For .025 x .030 rectangular pin, use a .050 diameter plated through hole  
 For .062 diameter pin, use a .076 diameter plated through hole.

# KHHD002A5B Hammerhead™ Series; DC-DC Converter Power Modules

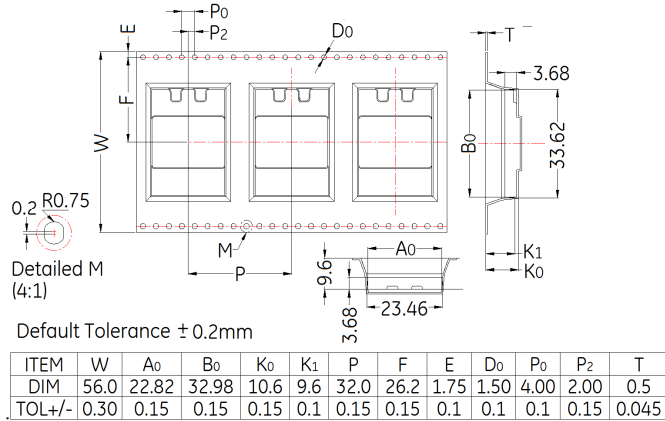
18-75Vdc Input; 12Vdc, 2.5A Output

## Packaging Details

The KHHD002A5B series SMT versions are supplied in tape & reel as standard. Details of tape dimensions are shown below. Modules are shipped in quantities of 140 modules per reel.

### Tape Dimensions

Dimensions are in millimeters



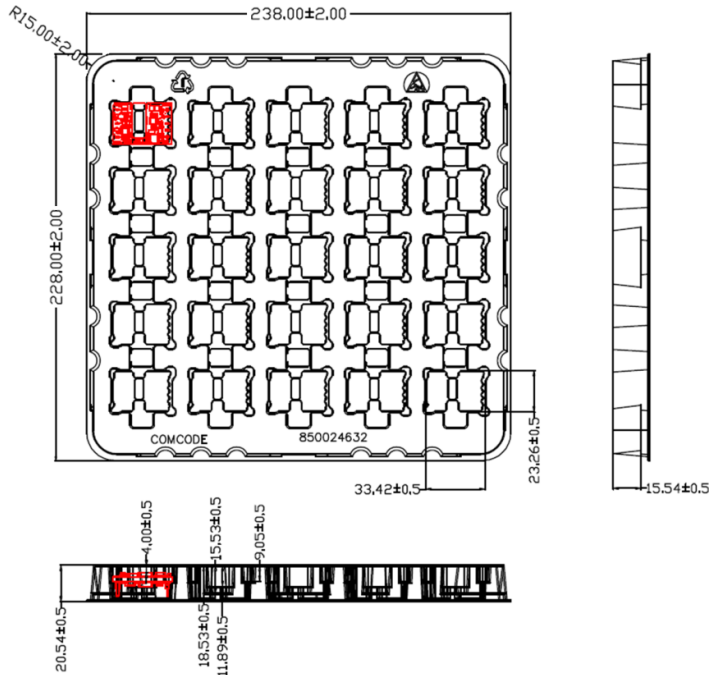
### Reel Dimensions

Outside Diameter: 330mm  
 Inside Diameter: 178mm  
 Tape Width: 56mm

### Tray Dimensions

The KHHD002A5B - series Through Hole versions are supplied in trays as standard. Details of tray dimensions are shown below. Modules are shipped in quantities of 75 modules per box. Dimensions are in millimeters.

Tolerances: x.x mm ± 0.5 mm (unless otherwise indicated)  
 x.xx mm ± 0.25 mm



|                         |  |
|-------------------------|--|
| Material                | PET (1mm)  |
| Max surface resistivity | 10 <sup>9</sup> - 10 <sup>11</sup> Ω/PET         |
| Color                   | Clear  |
| Capacity                | 25power modules                                  |
| Min order quantity      | 75pcs (1 box of 3 full trays + 1 empty top tray) |



## KHHD002A5B Hammerhead™ Series; DC-DC Converter Power Modules

18-75Vdc Input; 12Vdc, 2.5A Output

### Ordering Information

Please contact your GE Sales Representative for pricing, availability and optional features.

**Table 1. Device Codes**

| Product codes    | Input Voltage      | Output Current | Output Voltage | Remote On/Off Logic | Connector Type | Comcodes  |
|------------------|--------------------|----------------|----------------|---------------------|----------------|-----------|
| KHHD002A5B41Z    | 24V/48V (18-75Vdc) | 2.5            | 12V            | Negative            | Through hole   | 150030195 |
| KHHD002A5B41-SRZ | 24V/48V (18-75Vdc) | 2.5            | 12V            | Negative            | Surface mount  | 150030194 |

**Table 2. Device Options**

|         | Characteristic                       | Character and Position | Definition  |   |
|---------|--------------------------------------|------------------------|---|---|
| Ratings | Form Factor                          | K                      | K = 1 /16th Brick   |   |
|         | Family Designator                    | HH                     | <b>HH</b> = Hammerhead™ Series  |   |
|         | Input Voltage                        | D                      | D = UltraWide Range, 18V-75V  |   |
|         | Output Current                       | 002A5                  | 002A5 = 002.5 Amps Maximum Output Current   |   |
|         | Output Voltage                       | B                      | A=12V Nominal   |   |
| Options | Pin Length                           | 6<br>8                 | Omit = Default Pin Length shown in Mechanical Outline Figures<br><b>6</b> = Pin Length: 3.68 mm ± 0.25mm , (0.145 in. ± 0.010 in.)<br><b>8</b> = Pin Length: 2.79 mm ± 0.25mm , (0.110 in. ± 0.010 in.) |   |
|         | Action following Protective Shutdown | 4                      | <b>4</b> = Auto-restart following shutdown (Overcurrent/Overvoltage)<br>Must be ordered   |   |
|         | On/Off Logic                         | 1                      | Omit = Positive Logic<br><b>1</b> = Negative Logic  |   |
|         | Customer Specific                    | XY                     | <b>XY</b> = Customer Specific Modified Code, Omit for Standard Code   |   |
|         | Mechanical Features                  |                        |   | Omit = Standard open Frame Module   |
|         |                                      |                        | SR  | <b>S</b> = Surface Mount connections: <b>R</b> = Tape & Reel Packaging              |
|         | RoHS                                 |                        | Z   | Omit = RoHS 5/6, Lead Based Solder Used<br><b>Z</b> = RoHS 6/6 Compliant, Lead free |

## Contact Us

For more information, call us at

USA/Canada:

**+1 888 546 3243**, or +1 972 244 9288

Asia-Pacific:

**+86.021.54279977\*808**

Europe, Middle-East and Africa:

**+49.89.878067-280**

India:

**+91.80.28411633**

[www.gecriticalpower.com](http://www.gecriticalpower.com)

