



Chipsmall Limited consists of a professional team with an average of over 10 year of expertise in the distribution of electronic components. Based in Hongkong, we have already established firm and mutual-benefit business relationships with customers from,Europe,America and south Asia,supplying obsolete and hard-to-find components to meet their specific needs.

With the principle of “Quality Parts,Customers Priority,Honest Operation,and Considerate Service”,our business mainly focus on the distribution of electronic components. Line cards we deal with include Microchip,ALPS,ROHM,Xilinx,Pulse,ON,Everlight and Freescale. Main products comprise IC,Modules,Potentiometer,IC Socket,Relay,Connector.Our parts cover such applications as commercial,industrial, and automotives areas.

We are looking forward to setting up business relationship with you and hope to provide you with the best service and solution. Let us make a better world for our industry!



Contact us

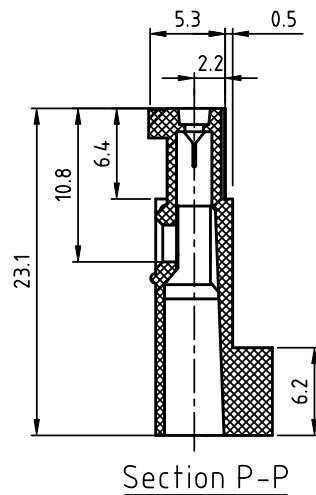
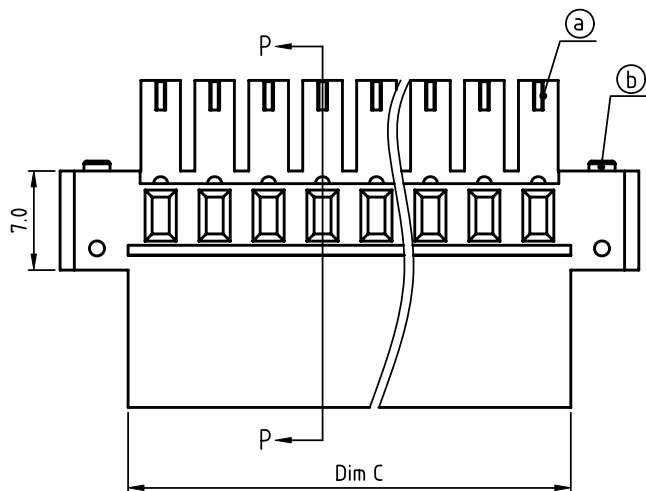
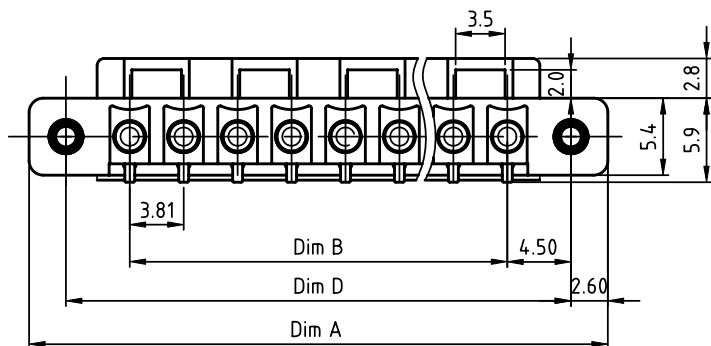
Tel: +86-755-8981 8866 Fax: +86-755-8427 6832

Email & Skype: info@chipsmall.com Web: www.chipsmall.com

Address: A1208, Overseas Decoration Building, #122 Zhenhua RD., Futian, Shenzhen, China



PRODUCT NUMBER	PITCH
Klxx30x300J0G	3.81 mm



- Material:
- Item① Terminal housing: Thermoplastic (UL94 V-0)
 - Item② With flange screw: Steel Zinc plated, M2.5"/+/-"
- Electrical cULus
- Voltage rating: 160V
 - Current rating: 8A
 - Wire range: 1.0~1.2mm²
 - Withstanding Voltage: 132KV
 - Corresponding female crimp contacts: A0 3.81 series

N=number of poles

Dim A=(N-1)x3.81+14.20
Dim B=(N-1)x3.81
Dim C=(N-1)x3.81+4.60
Dim D=(N-1)x3.81+9.00

Poles	2P~6P	7P~12P	13P~18P	19P~24P
Dim A	±0.20	±0.25	±0.30	±0.35
Dim B	±0.15	±0.20	±0.25	±0.30
Dim C	±0.20	±0.25	±0.30	±0.35
Dim D	±0.20	±0.25	±0.30	±0.35

PART NO.: Kl xx 30 x 3 00J0 G

Solid block	0	Color	Black (RAL9005)	RoHS compliant	(lead<4%)
No. of poles	2	Color	Red (RAL3001/D)	In copper Alloy	
02	2 poles	3	Orange(RAL2011/P)		
03	3 poles	4	Yellow(RAL1018/A)		
...	...	5	Green(RAL6018/T)		
24	24 poles	6	Blue (RAL5015/A)		
		8	Grey(RAL7035/D)		
		9	White(RAL1102)		
		C	Green(RAL6018/U)		

mat'l. code		surface	tolerance	projection	product family	
		ASME Y14.5	ASME Y14.5		TERMINAL BLOCK	
ltr ecn no dr date		tolerances unless otherwise specified		MM	title	
		angles	X.±0.5	MM	TERMINAL BLOCK	
		±	X.X±0.3	scale	PLUGGABLE PLUG, WITH FLANGE, CRIMP CONNECTION	
		X*±1°	X.XX±0.1		WITH HIGH PROFILE	
		dr	EVIN ZHONG 050414		dwg no	
		enr	EVIN ZHONG 050414		sheet 1 of 1	size
		chr	HANKE FENG 050414		Klxx30x300J0G	A4
		appd	SHI JUN 050414		type	CUSTOMER Drawing
sheet index	revision	A				
	sheet	1				