



Chipsmall Limited consists of a professional team with an average of over 10 year of expertise in the distribution of electronic components. Based in Hongkong, we have already established firm and mutual-benefit business relationships with customers from,Europe,America and south Asia,supplying obsolete and hard-to-find components to meet their specific needs.

With the principle of "Quality Parts,Customers Priority,Honest Operation,and Considerate Service",our business mainly focus on the distribution of electronic components. Line cards we deal with include Microchip,ALPS,ROHM,Xilinx,Pulse,ON,Everlight and Freescale. Main products comprise IC,Modules,Potentiometer,IC Socket,Relay,Connector.Our parts cover such applications as commercial,industrial, and automotives areas.

We are looking forward to setting up business relationship with you and hope to provide you with the best service and solution. Let us make a better world for our industry!



## Contact us

Tel: +86-755-8981 8866 Fax: +86-755-8427 6832

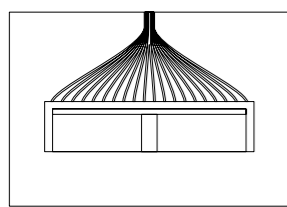
Email & Skype: info@chipsmall.com Web: www.chipsmall.com

Address: A1208, Overseas Decoration Building, #122 Zhenhua RD., Futian, Shenzhen, China

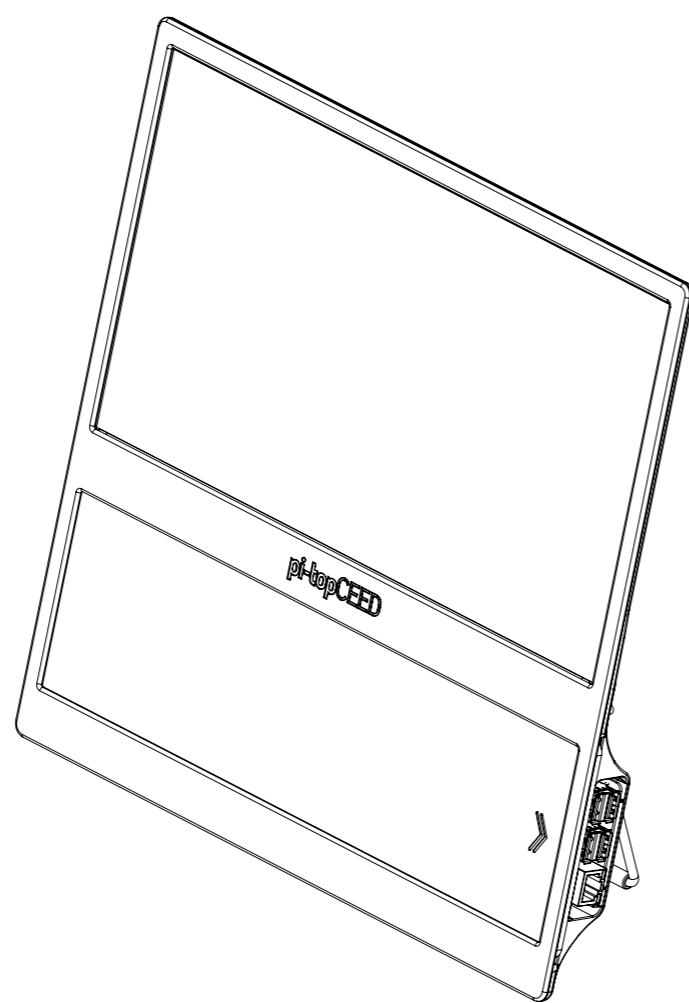


# INSTRUCTION MANUAL

Follow this side if your pi-topCEED has GPIO Breakout Cable.



This cable makes your pi-topCEED compatible with pi-top Add-ons.



## Welcome

Welcome to the pi-top family!

pi-topCEED is very special to us (and so are you, of course!). We are hugely passionate about this product and are thrilled to provide excellent content so you can learn to make anything. Your support has helped to make this a reality and we thank you for joining us on this exciting maker journey!

We believe pi-topCEED is the best way to get started with hardware and software. Open your box and immediately immerse yourself in a new way of exploring computing - unlocking a world of possibilities. As you grow and learn, pi-topCEED will be part of your journey to expand your knowledge - the only limit is your imagination!

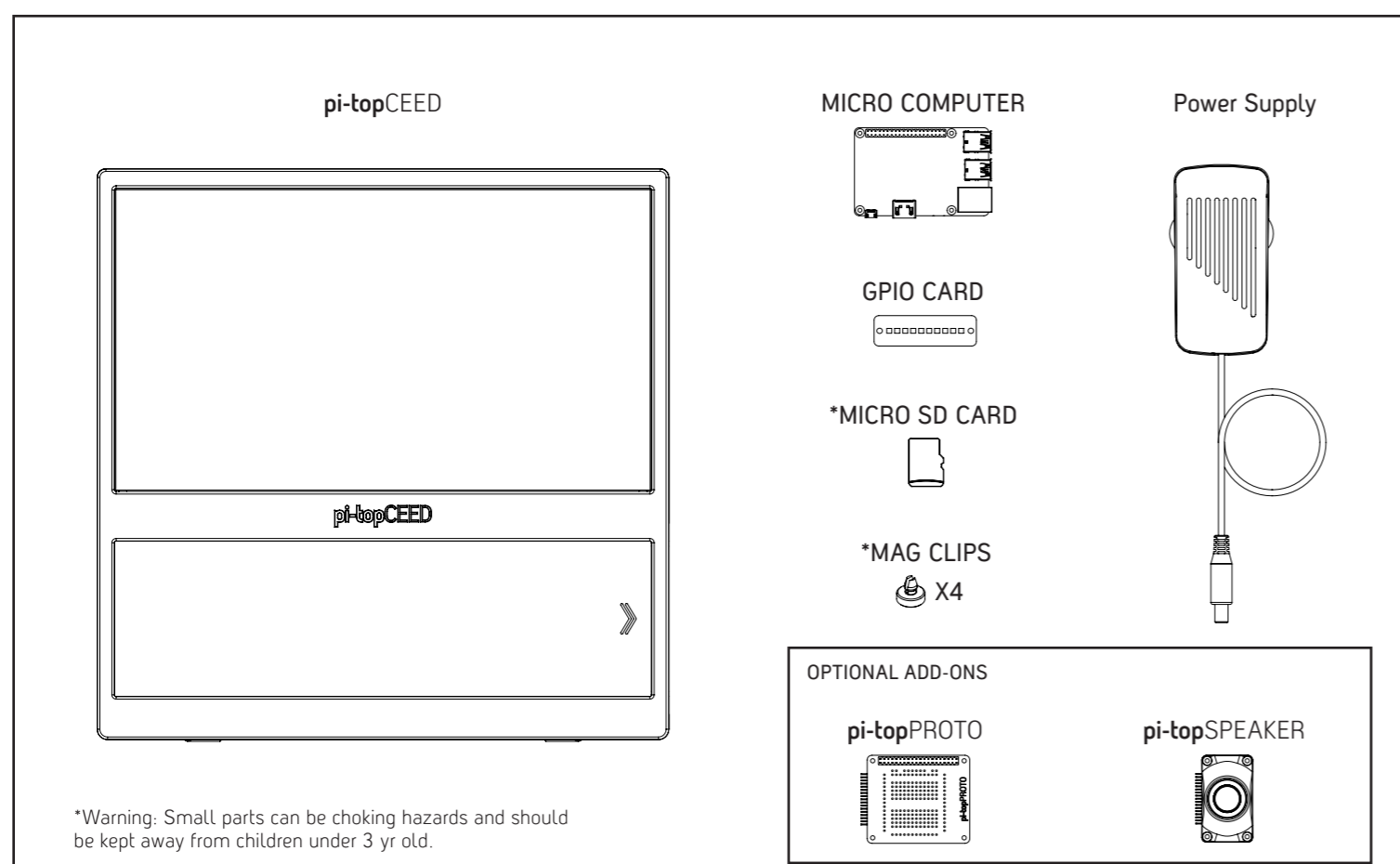
So, let's get started! Set up your pi-topCEED following our manual so you can log-in and start your own cool projects, play our educational game CEEDuniverse and more!

Step through the world's gateway to technology.

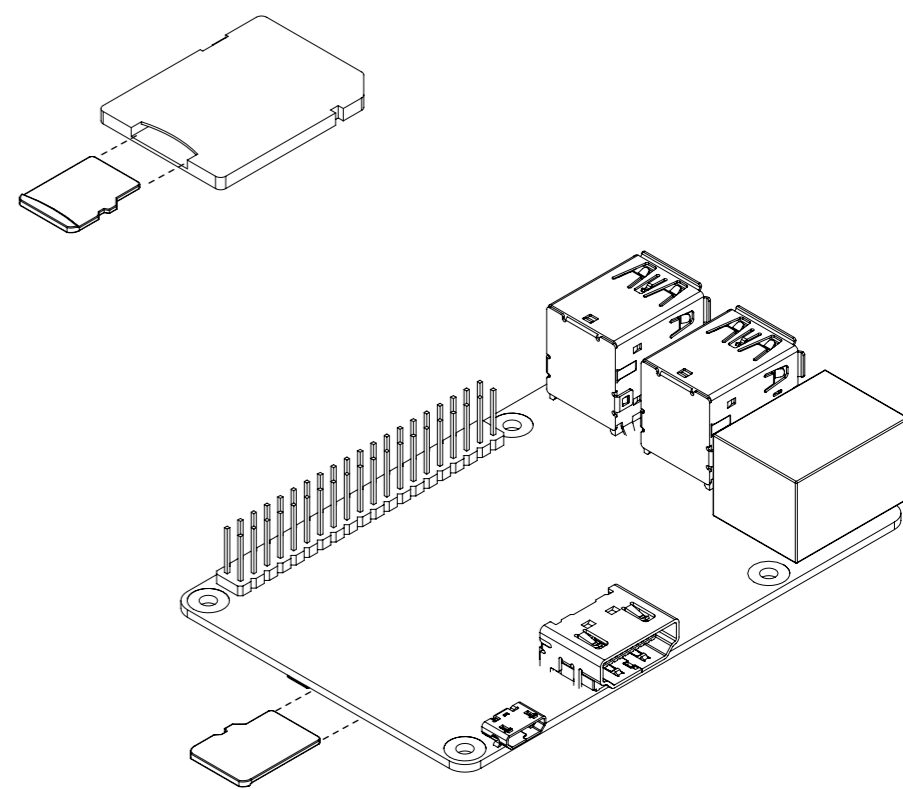
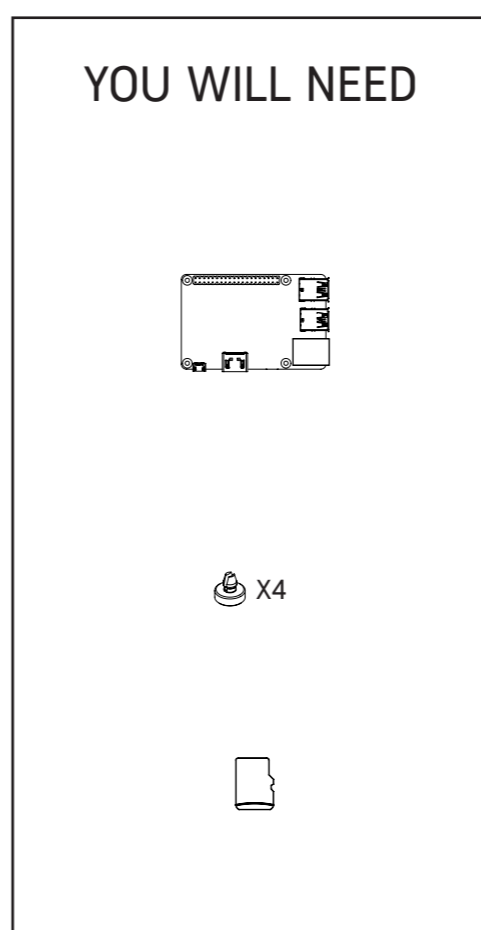
With love,

The pi-top Team

## Getting Ready: What's in the Box?

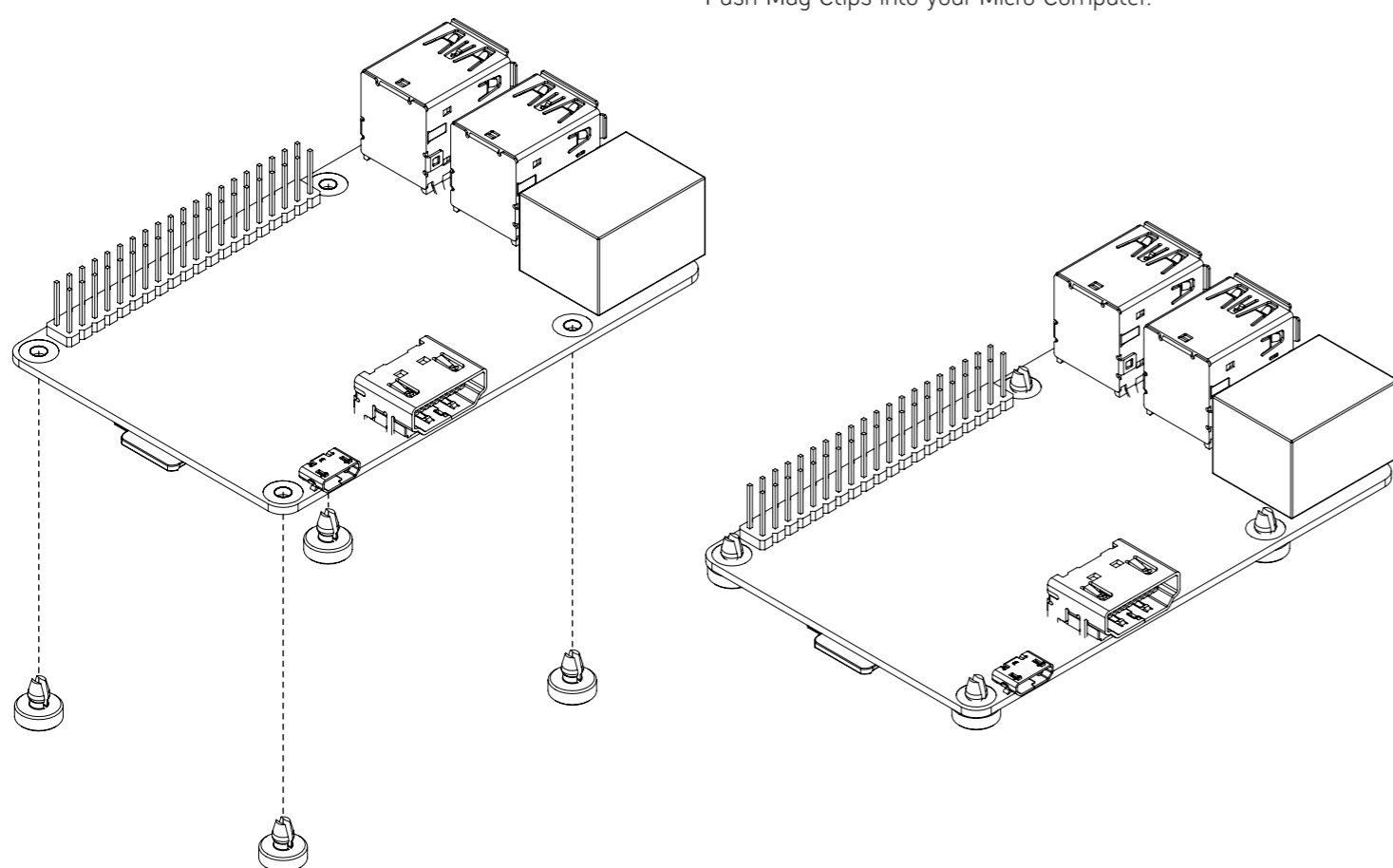


## Step 1: Inserting MicroSD Card



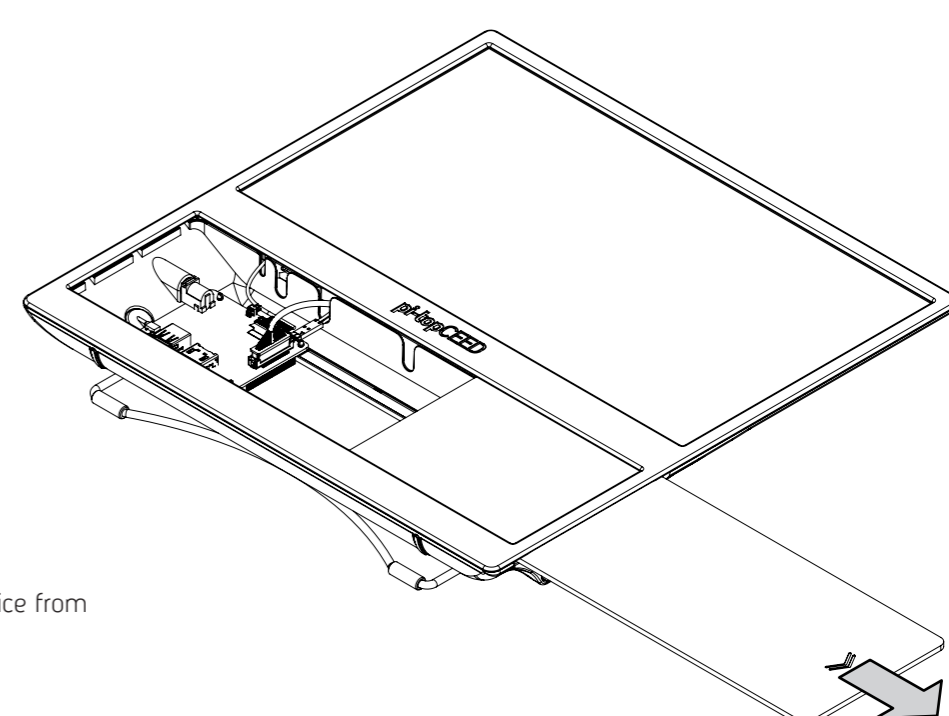
## Step 2: Inserting Mag Clips

Push Mag Clips into your Micro Computer.



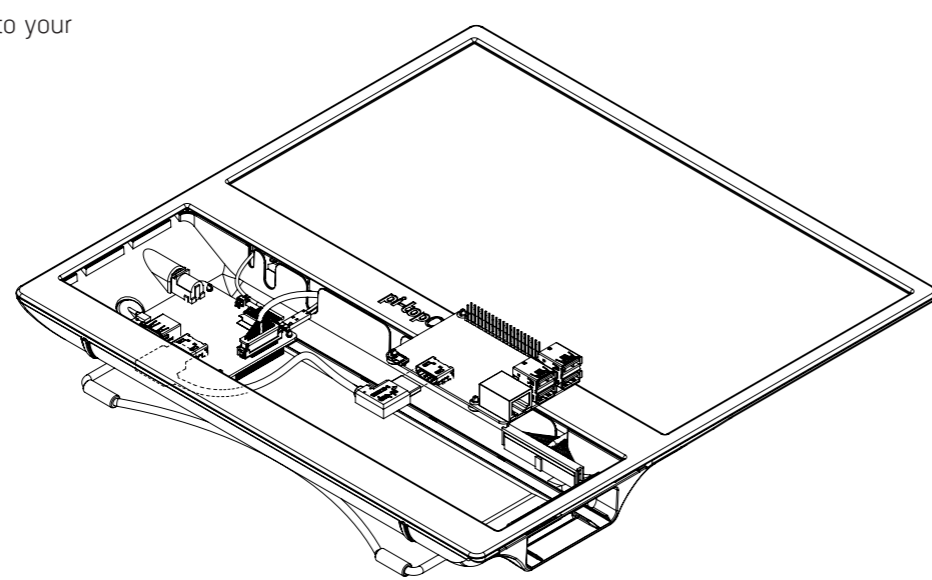
## Step 3: Preparing pi-topCEED

Remove the Acrylic Slice from your pi-topCEED.



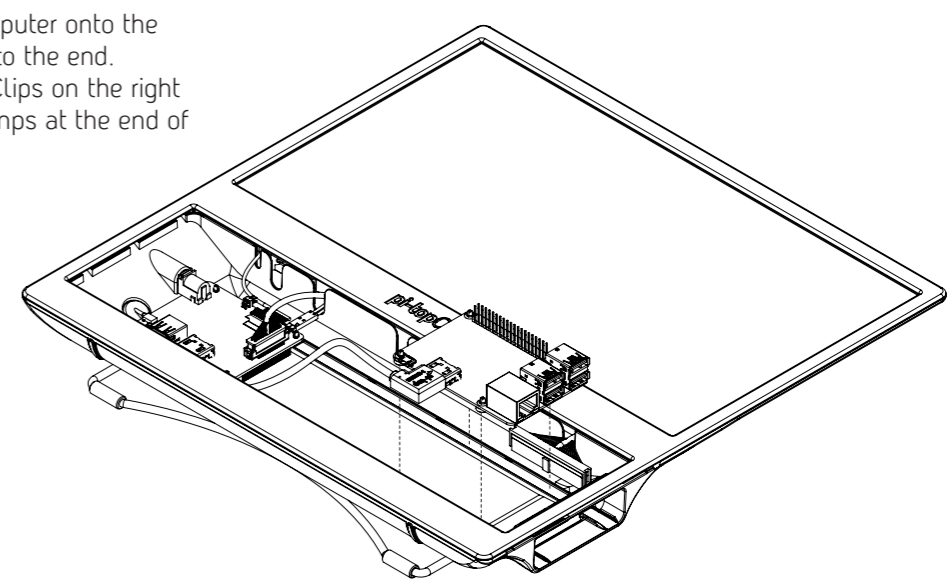
## Step 4: Connecting HDMI Cable

Connect the HDMI Cable into your Micro Computer.

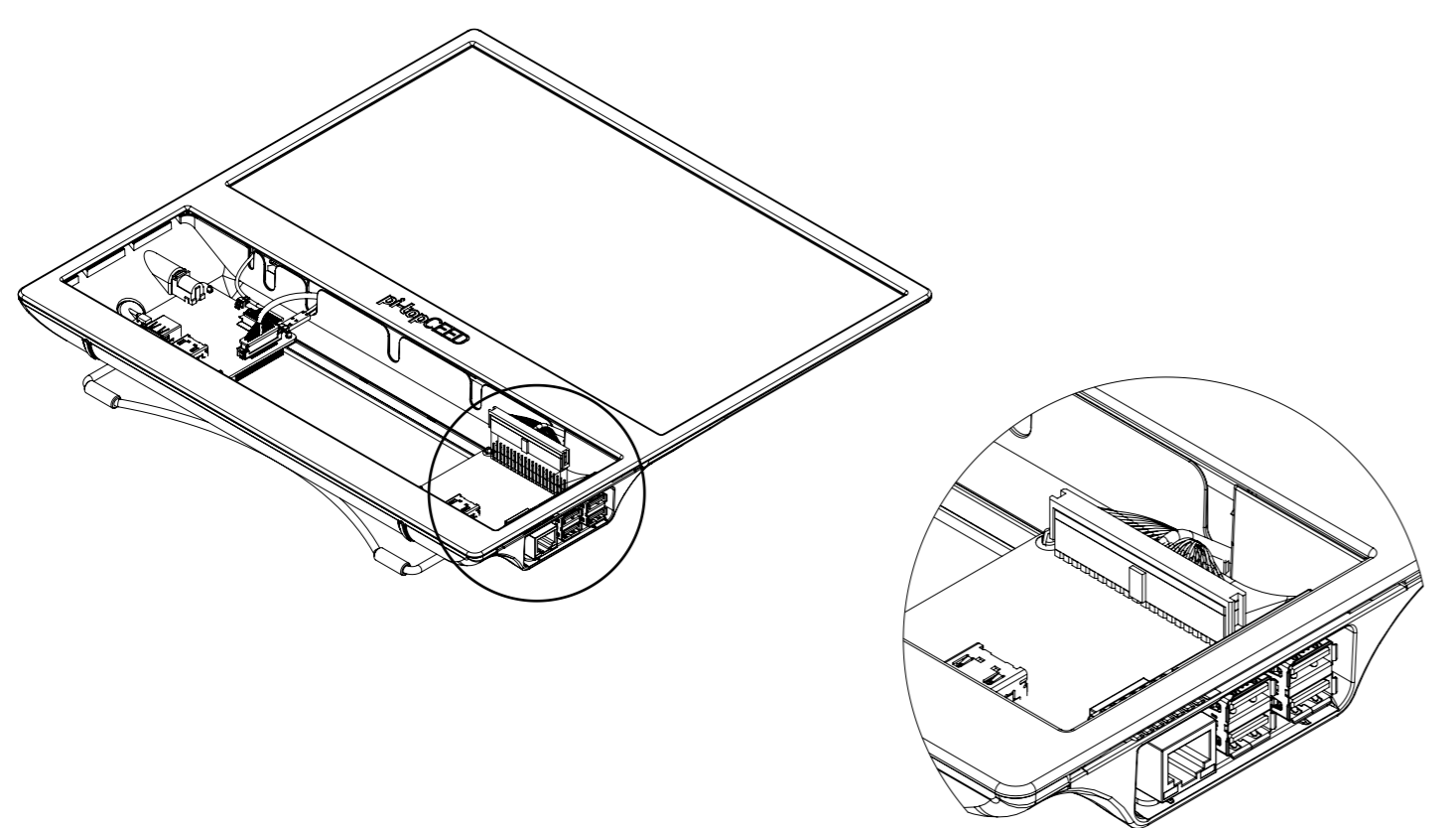


## Step 5: Inserting Micro Computer

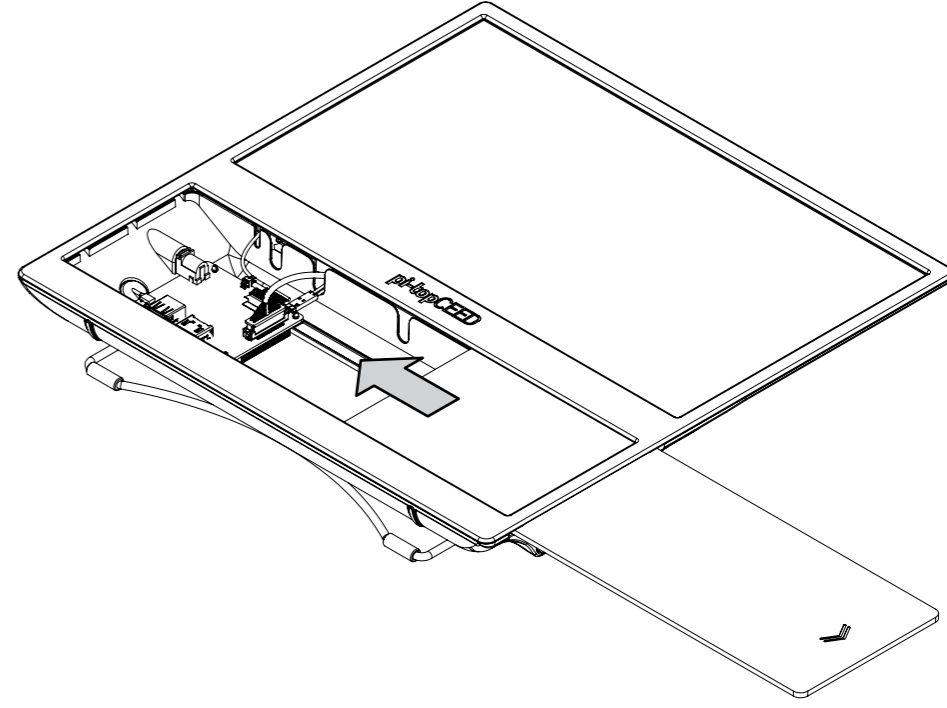
Place your Micro Computer onto the Mag Rail and slide it to the end. Ensure the two Mag Clips on the right are lifted over the bumps at the end of the Mag Rail.



## Step 6: Connecting GPIO

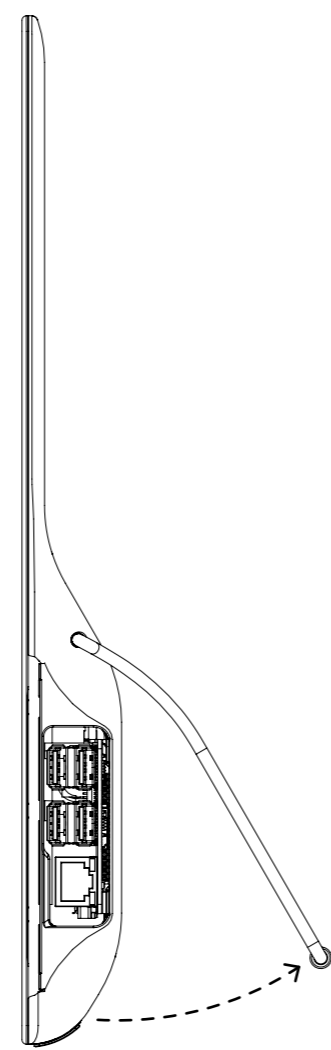


## Step 7: Sliding in Acrylic Slice



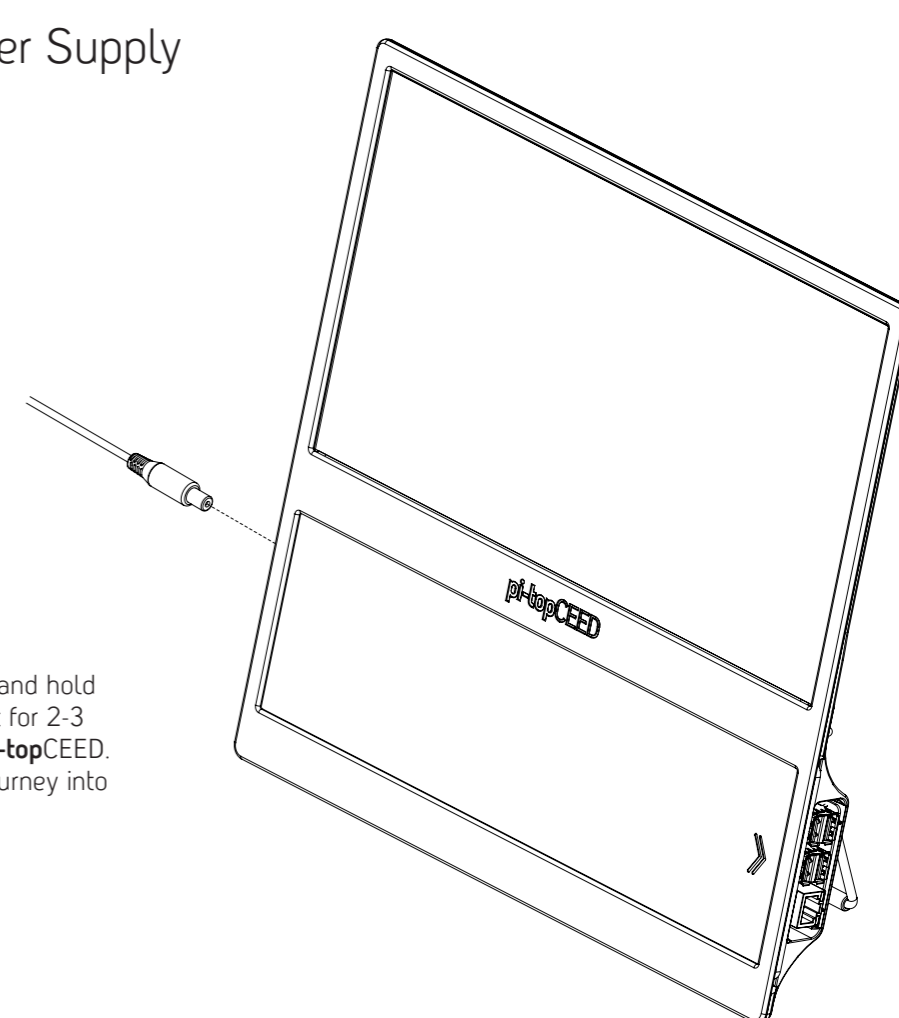
## Step 8: Adjusting Kick Stand

Adjust the Kick Stand so your pi-topCEED sits on a desk at a comfortable viewing angle.

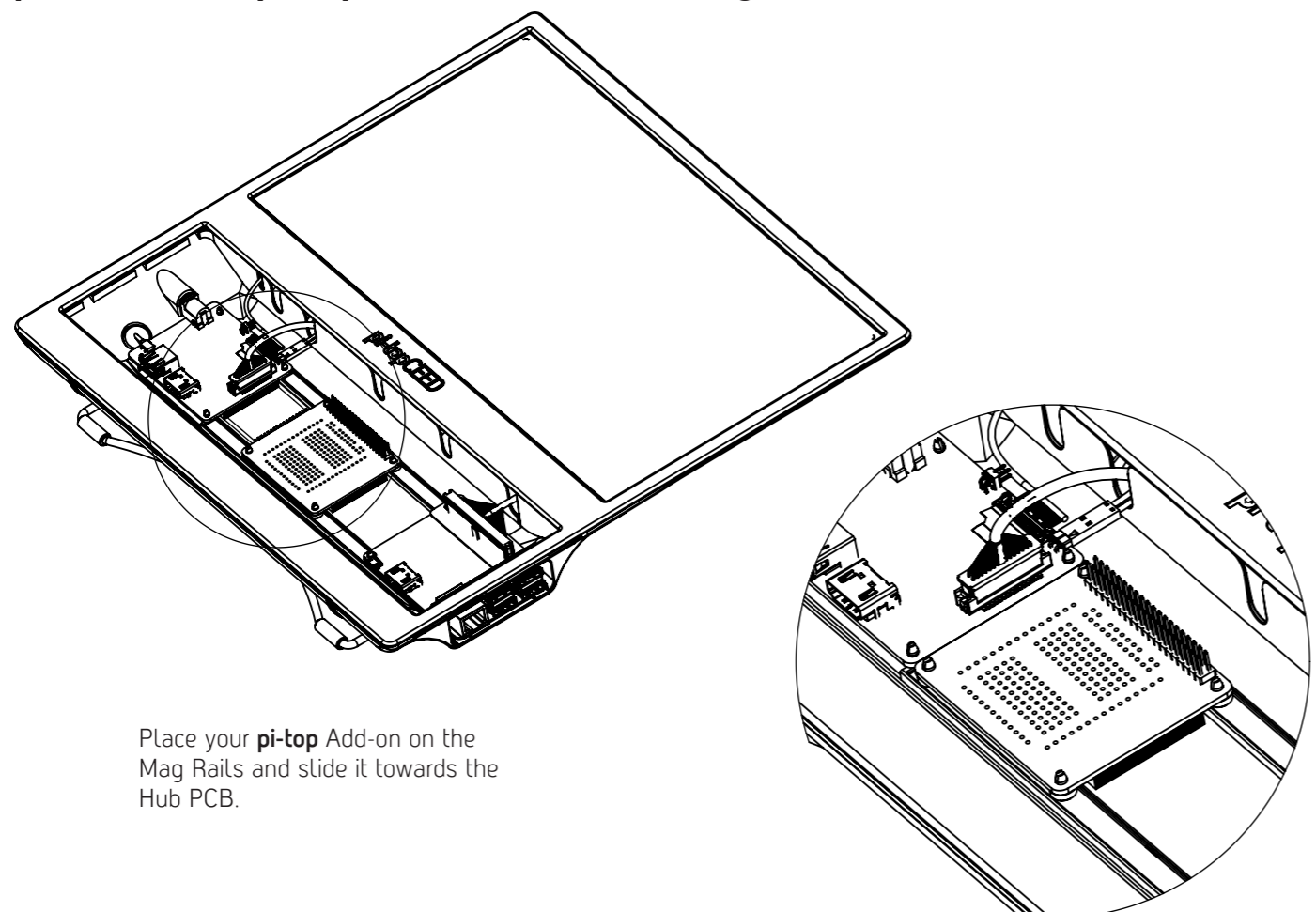


## Step 9: Connecting Power Supply

Plug in the Power Supply and hold the Power Button beside it for 2-3 seconds to turn on your pi-topCEED. You can now begin your journey into the world of computing!

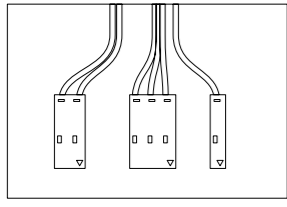


## Step 10: Place pi-top Add-ons on the Mag Rails

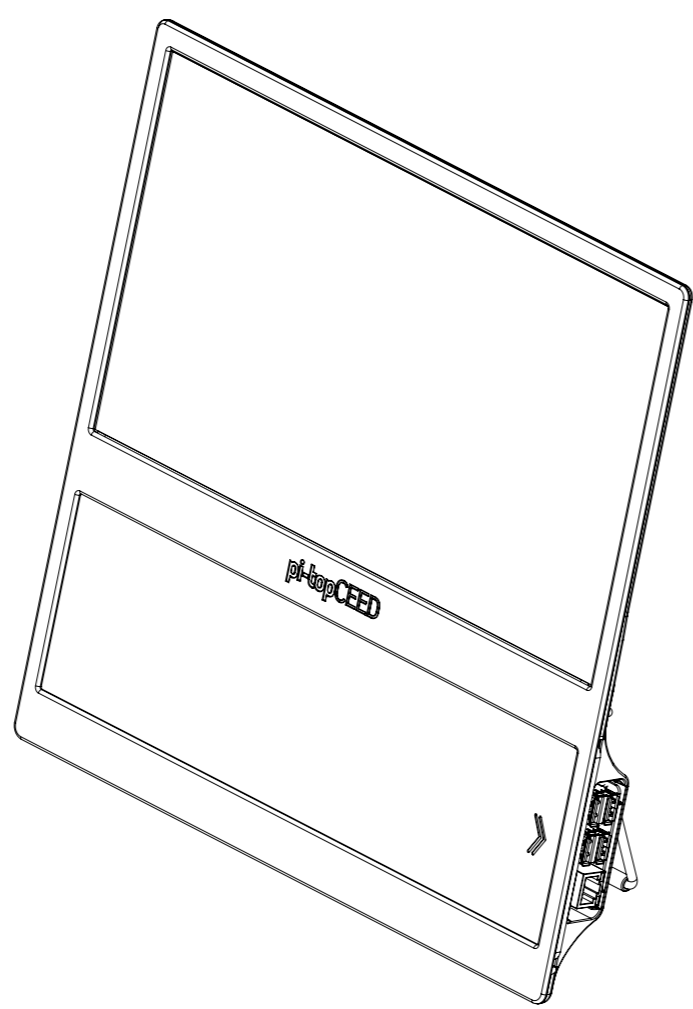


Place your pi-top Add-on on the Mag Rails and slide it towards the Hub PCB.

Follow this side if your pi-topCEED has jumper cables.



The jumper cables offer the most flexible usage of your Micro Computer's GPIO pins.



Welcome

Welcome to the pi-top family!

pi-topCEED is very special to us (and so are you, of course!). We are hugely passionate about this product and are thrilled to provide excellent content so you can learn to make anything. Your support has helped to make this a reality and we thank you for joining us on this exciting maker journey!

We believe pi-topCEED is the best way to get started with hardware and software. Open your box and immediately immerse yourself in a new way of exploring computing - unlocking a world of possibilities. As you grow and learn, pi-topCEED will be part of your journey to expand your knowledge - the only limit is your imagination!

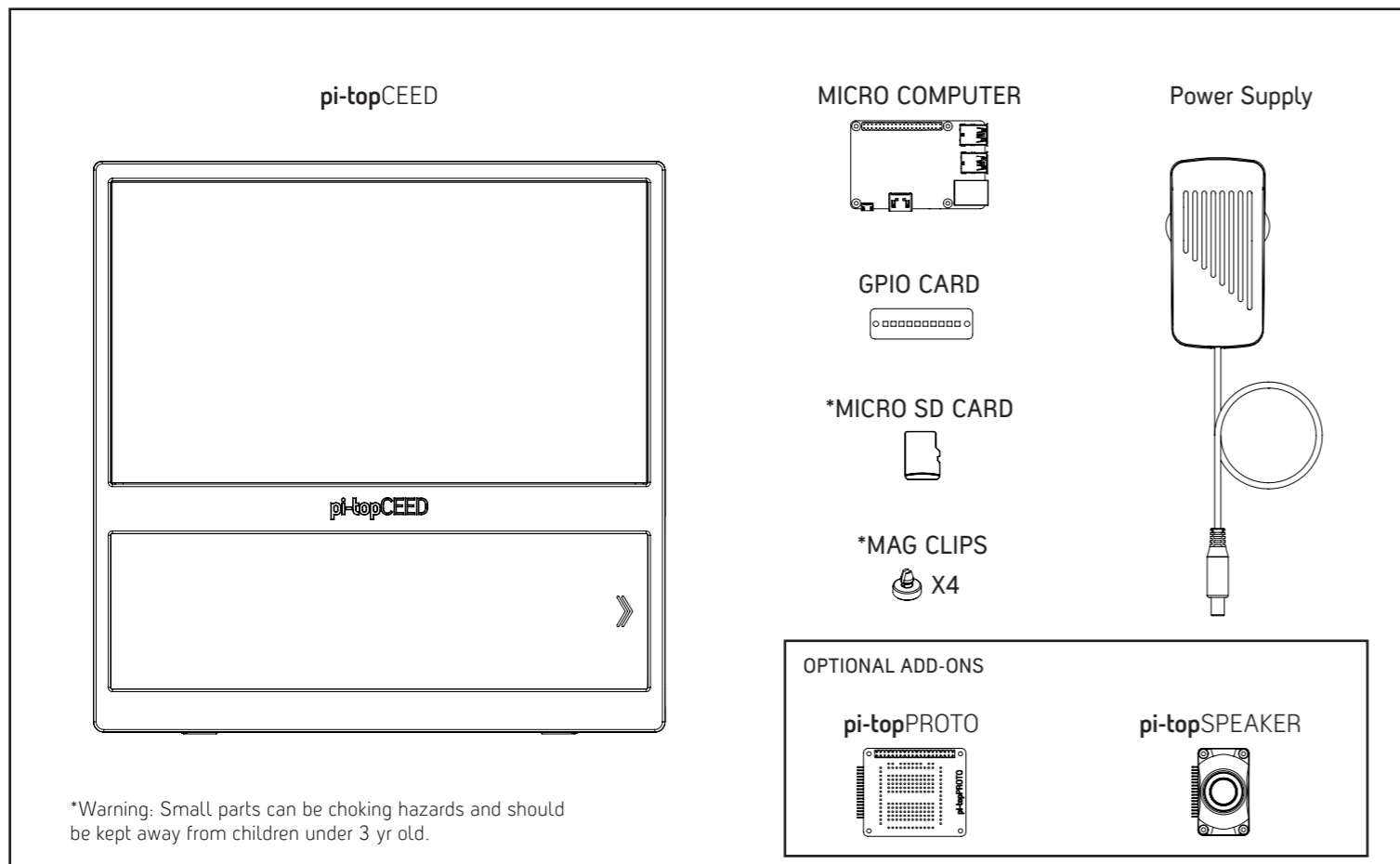
So, let's get started! Set up your pi-topCEED following our manual so you can log-in and start your own cool projects, play our educational game CEEDuniverse and more!

Step through the world's gateway to technology.

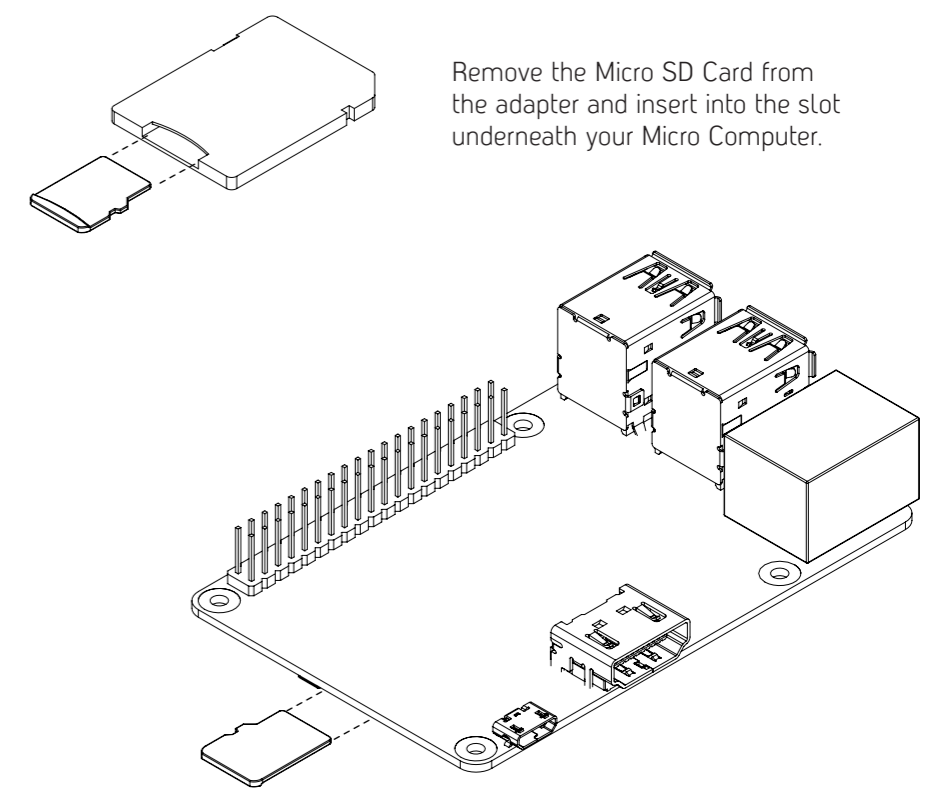
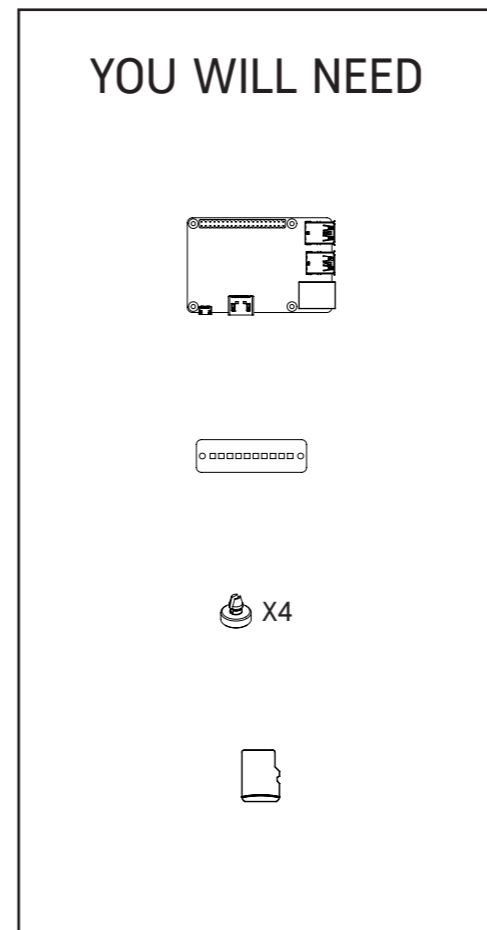
With love,

The pi-top Team

Getting Ready: What's in the Box?

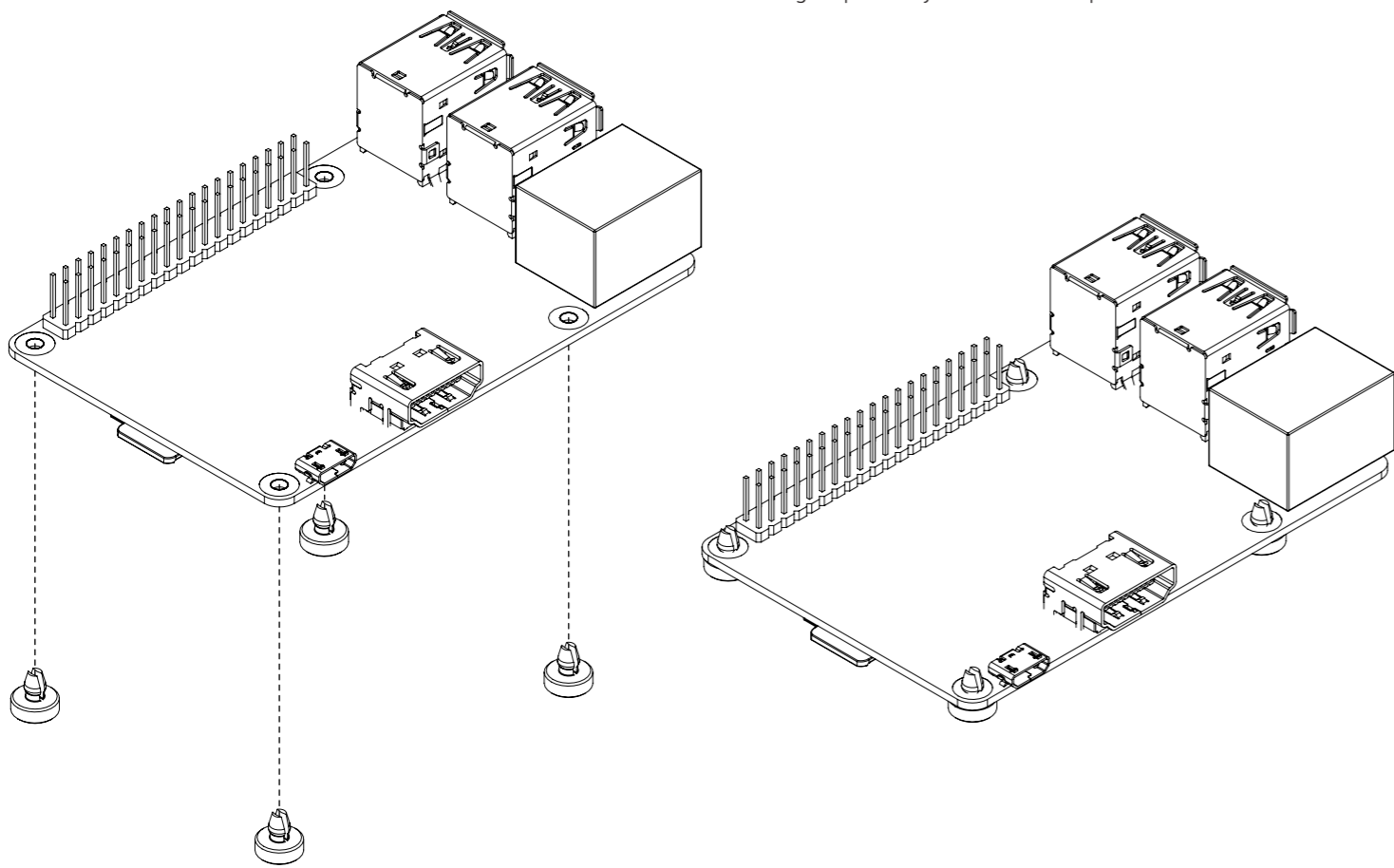


Step 1: Inserting MicroSD Card

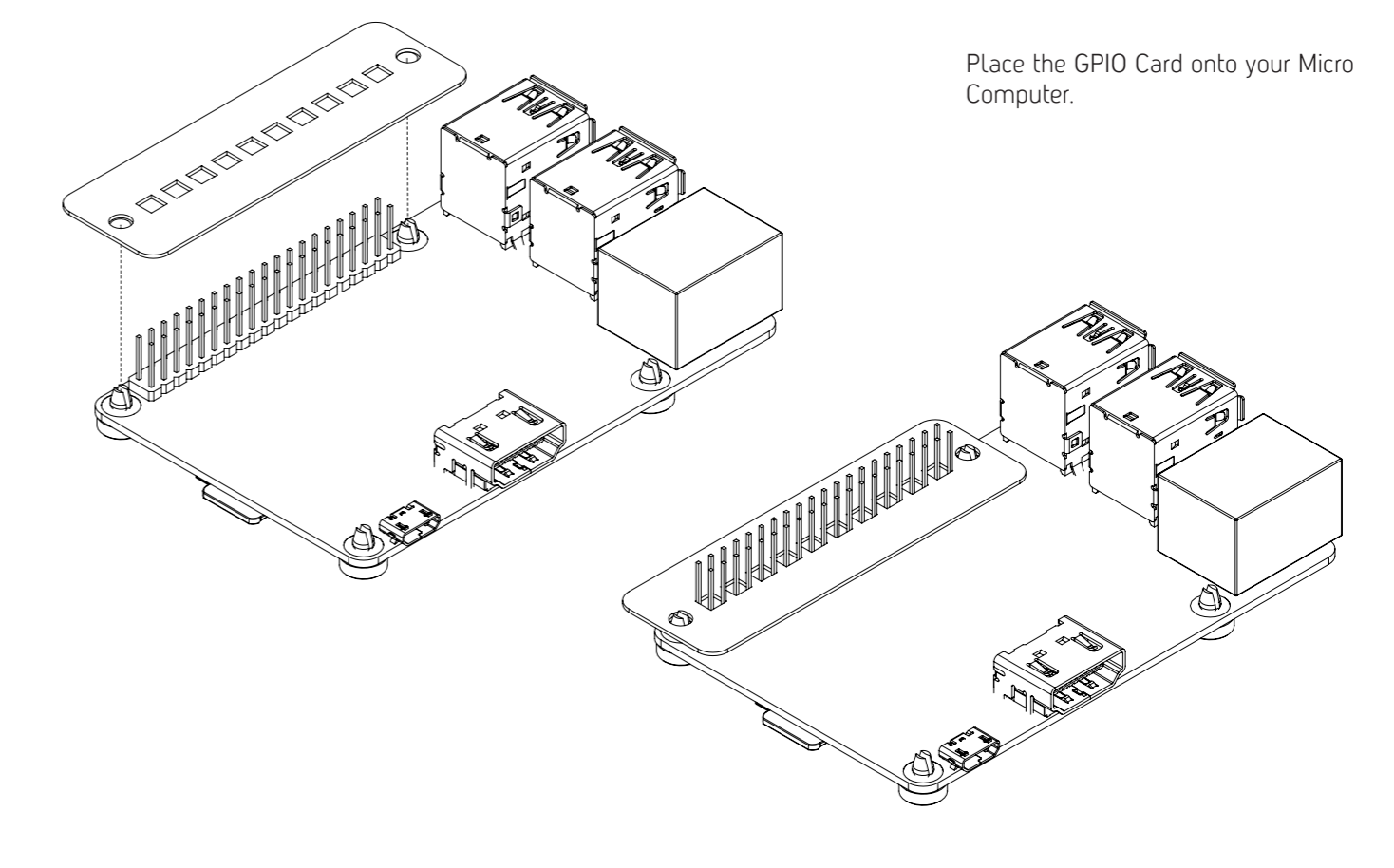


Step 2: Prepare PCBs

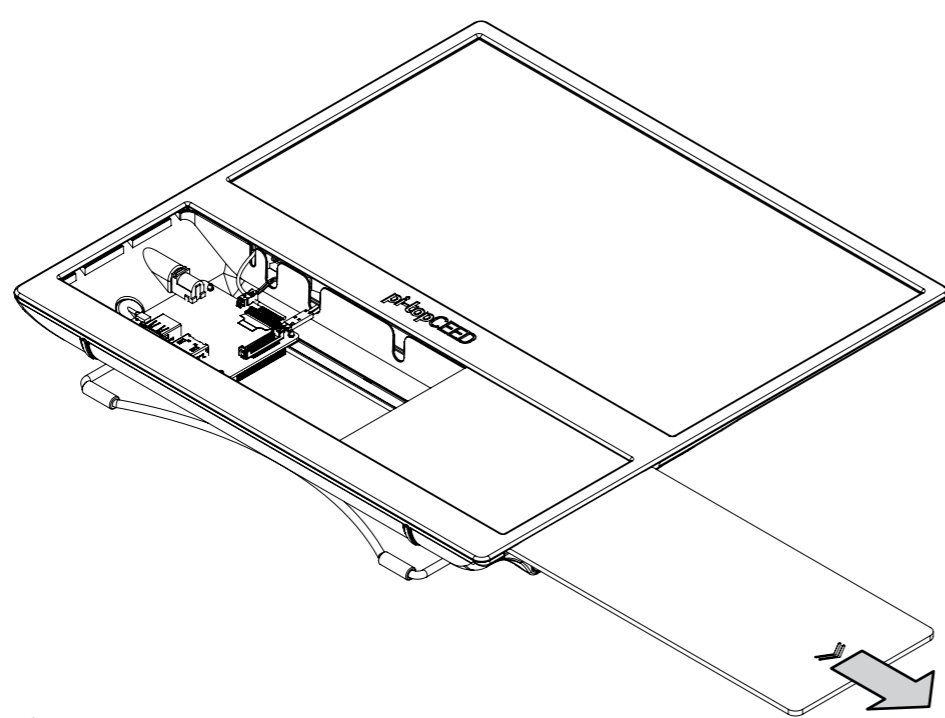
Push Mag Clips into your Micro Computer.



Step 3: Adding GPIO Card



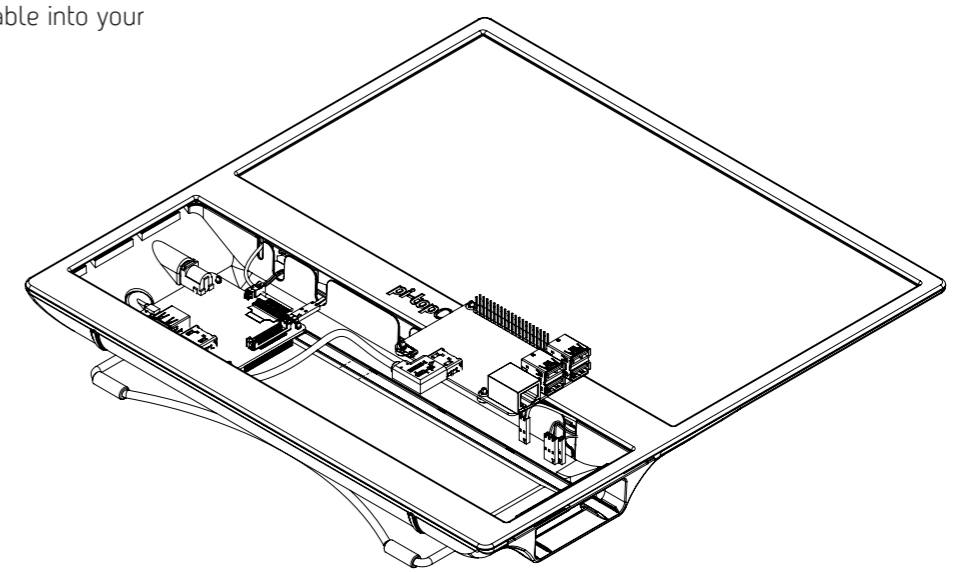
Step 4: Prepare pi-topCEED



Remove the Acrylic Slice from your pi-topCEED.

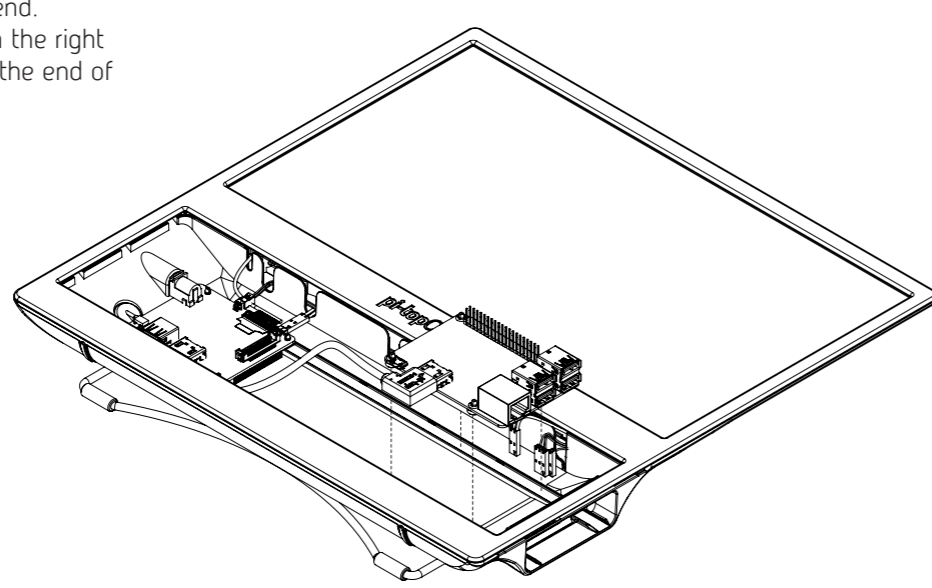
Step 5: Connecting HDMI Cable

Connect the HDMI Cable into your Micro Computer.



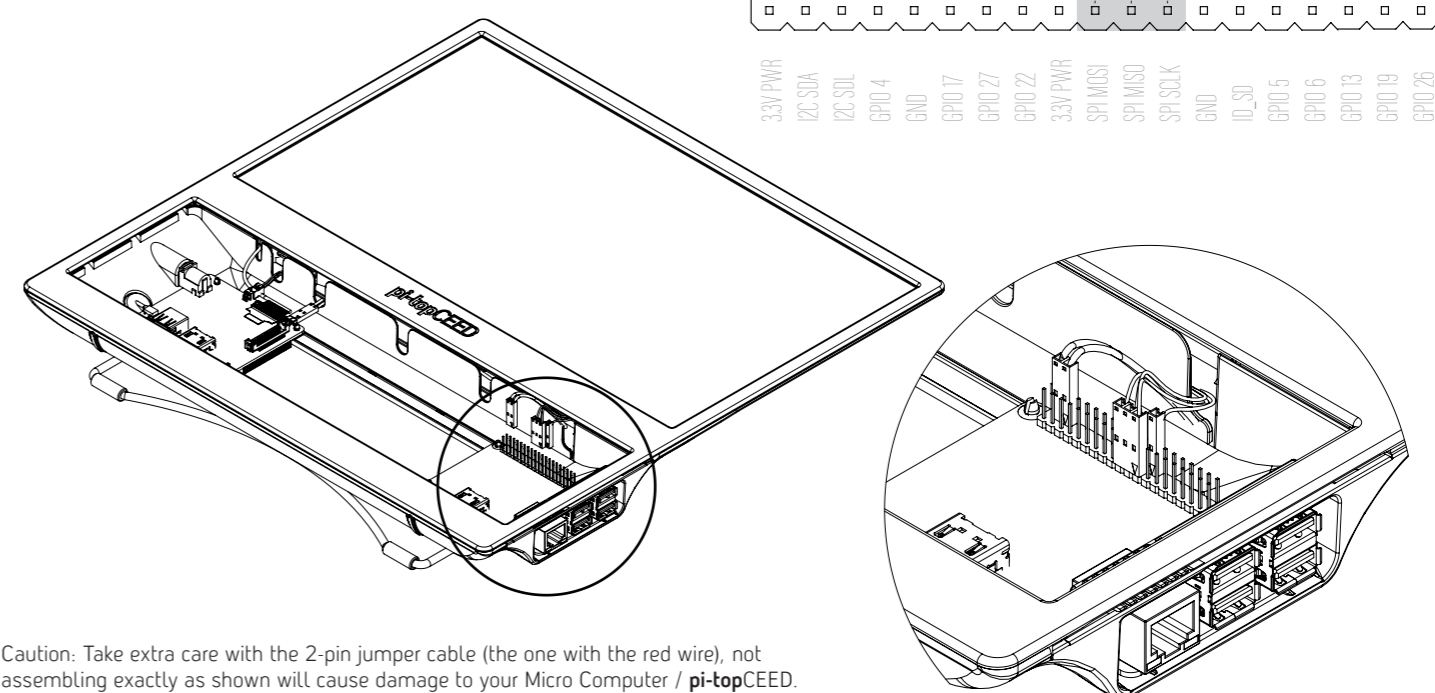
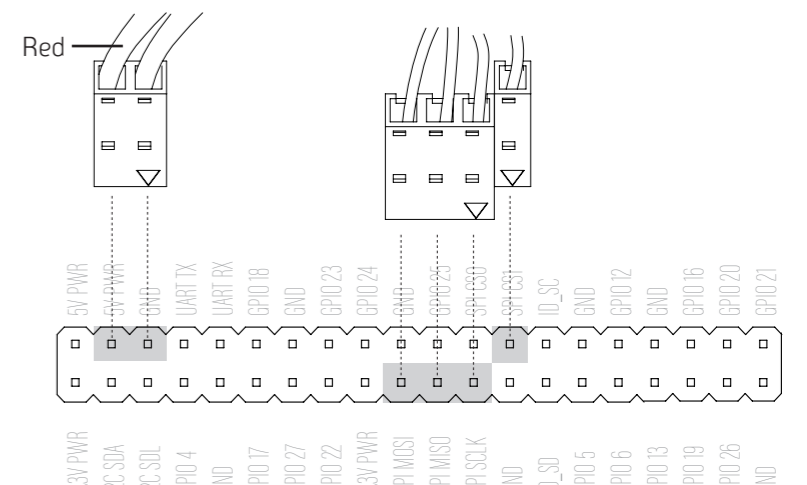
Step 6: Inserting Micro Computer

Place your Micro Computer onto the Mag Rail and slide it to the end. Ensure the two Mag Clips on the right are lifted over the bumps at the end of the Mag Rail.

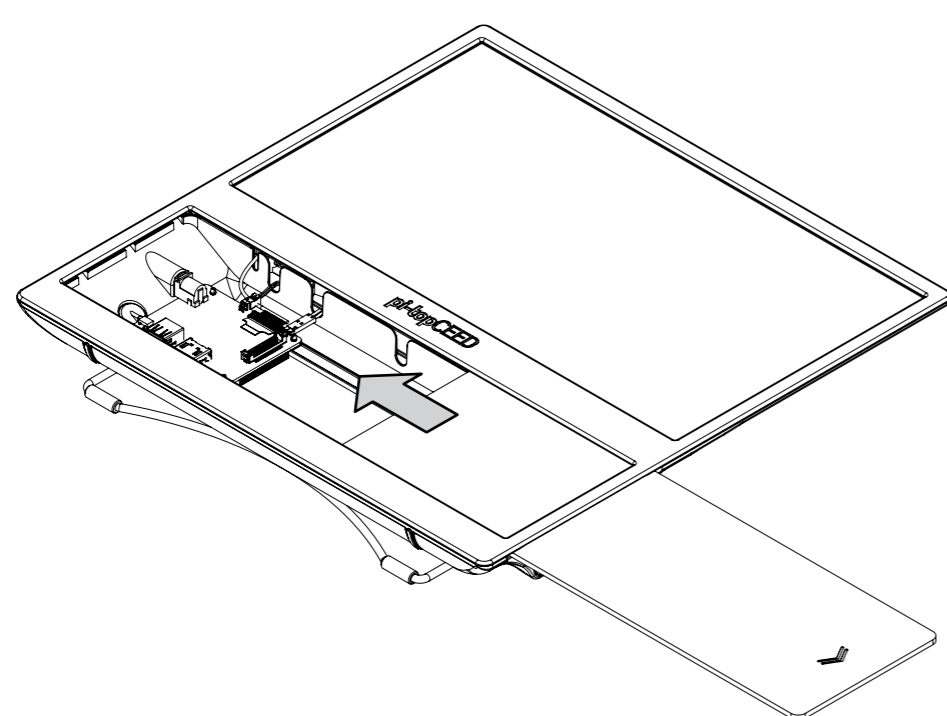


Step 7: Connecting GPIO

Connect the the female jumpers onto your Micro Computer. Ensure the arrow on the jumper is facing your Micro Computer to avoid damage.

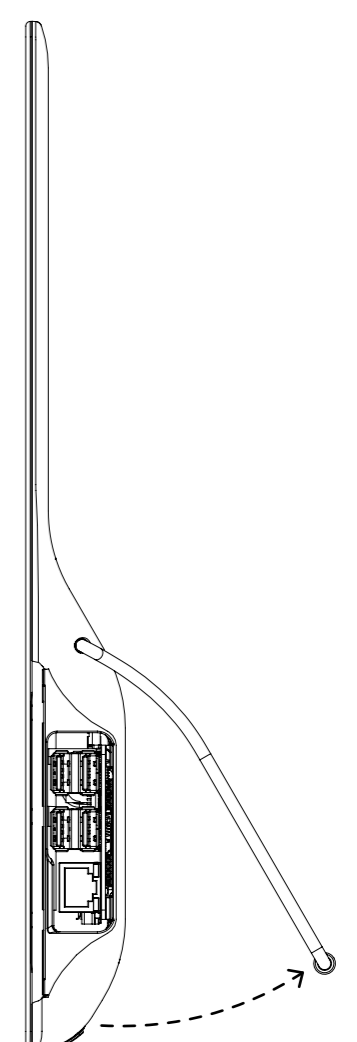


Step 8: Sliding in Acrylic Slice



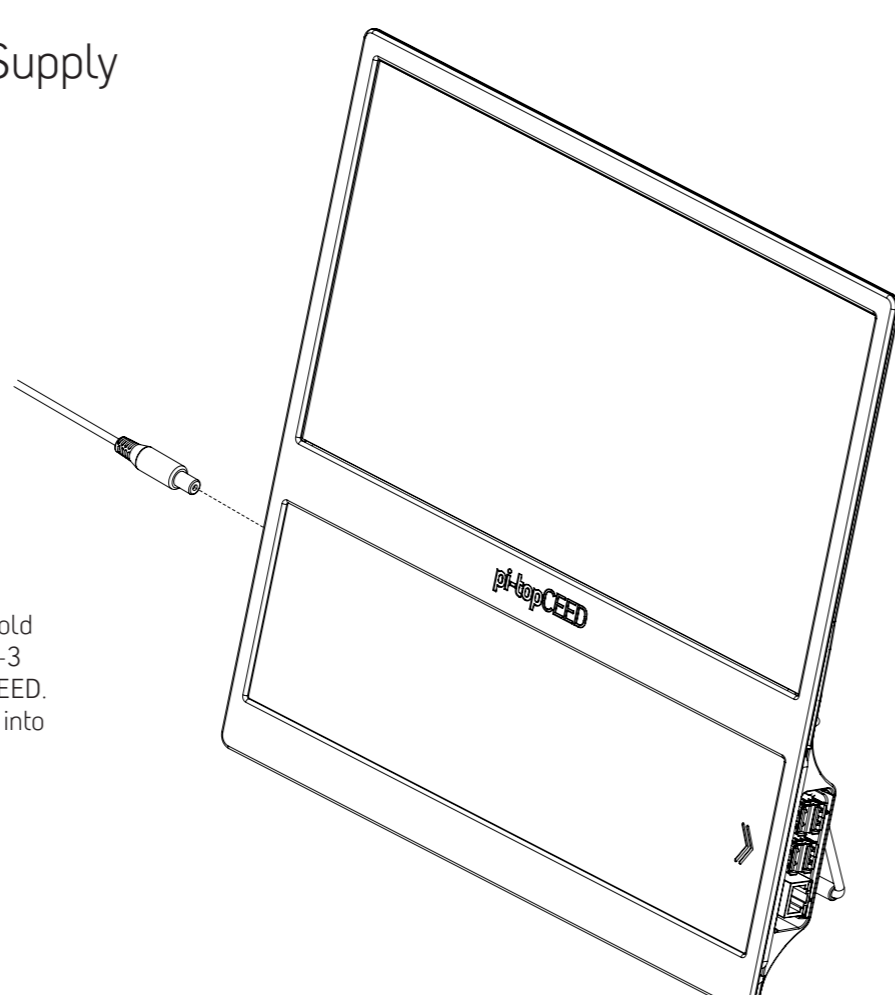
Step 9: Adjusting Kick Stand

Adjust the Kick Stand so your pi-topCEED sits on a desk at a comfortable viewing angle.



Step 9: Connecting Power Supply

Plug in the Power Supply and hold the Power Button beside it for 2-3 seconds to turn on your pi-topCEED. You can now begin your journey into the world of computing!



FCC Notice

This device complies with Part 15 of the FCC Rules. Operation is subject to the following two conditions:

(1) This device may not cause harmful interference, and (2) this device must accept any interference received, including interference that may cause undesired operation.

NOTE 1: This equipment has been tested and found to comply with the limits for a Class B digital device, pursuant to part 15 of the FCC Rules. These limits are designed to provide reasonable protection against harmful interference in a residential installation. This equipment generates, uses and can radiate radio frequency energy and, if not installed and used in accordance with the instructions, may cause harmful interference to radio communications. However, there is no guarantee that interference will not occur in a particular installation. If this equipment does cause harmful interference to radio or television reception, which can be determined by turning the equipment off and on, the user is encouraged to try to correct the interference by one or more of the following measures:

- Reorient or relocate the receiving antenna.
- Increase the separation between the equipment and receiver.
- Connect the equipment into an outlet on a circuit different from that to which the receiver is connected.
- Consult the dealer or an experienced radio/TV technician for help.

NOTE 2: Any changes or modifications to this unit not expressly approved by the party responsible for compliance could void the user's authority to operate the equipment.